

KSX8000 series



KSX8101-A10



KOREA GAS SAFETY CORPORATION

How to order

KSX - 81 01 - A 04 - 1T

①
②
③
④
⑤
⑥

① Thread type

Nil	Rc(PT) (Standard)
N	NPT
G	G

② Valve type

81	N/C(Normally closed)
82	N/O(Normally open)

③ Special specifications

01	Standard
02	2 Special specification
03	3 Special specification

④ Body type

A	Standard
B	2 Special specification
C	3 Special specification

⑤ Port size

Code	Port size	Coil
03	3/8	EPC-14 [Ø14]
04	1/2	
06	3/4	
10	1	EPC-16 [Ø16]
12	1 1/4	
14	1 1/2	
20	2	

⑥ Voltage

1T	AC110V 60Hz
2T	AC220V 60Hz
3T	DC24V
4T	DC12V
8T	DC120V

Features

- Flameproof enclosure and encapsulation(EX d mb IIC T4).
- Non-lubrication diaphragm.
- Compact and light with high flow rate.
- Wiring direction can be easily change.
- No minimum operating differential pressure required for operation.

Specifications

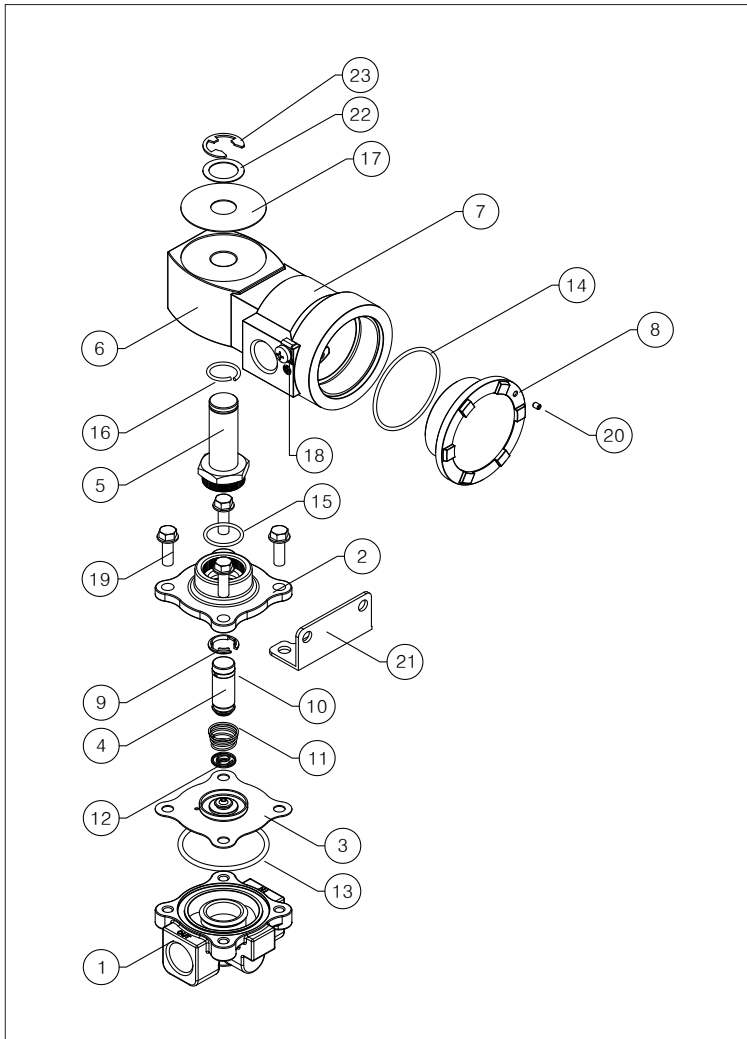
KSX-8101 Series (Normally Closed)

Code / Model	KSX**--8101-A*****						
	A03	A04	A06	A10	A12	A14	A20
Fluid	AIR or GAS(LNG, LPG)						
Port size	Rc(PT)3/8	Rc(PT)1/2	Rc(PT)3/4	Rc(PT)1	Rc(PT)1 1/4	Rc(PT)1 1/2	Rc(PT)2
Coil	EPC-14(Ø14)			EPC-16(Ø16)			
Operating pressure	AC: 3.4bar, DC: 1.7bar			AC/DC: 1.7bar			AC:1.7bar DC: 1.0bar
	No minimum operating differential pressure required for operation(minimum differential pressure = 0MPa)						
Max. Fluid temperature	AC: 52℃, DC: 40℃						
Ambient temperature	-20 ~ +60℃(No freezing)						
Ambient humidity	Below RH 85%						
Lubrication	Non-lubrication						
Voltage	AC110/220V ±10% 60Hz, DC12/24/120V ±5%						
Power consumption	AC: 10.1W, DC: 11.6W			AC: 15.4W, DC:14.9W			
Coil insulation	AC/DC : Class F(Class H: Option)						
Electric port	G(PF) 1/2(Cable Gland connection type)						
Explosion proof identification	Ex d mb IIC T4						
Effective sectional area Cv(Kv)	3.4(2.9)	4.4(3.8)	5.1(4.4)	21(18)	32(27)	35(30)	60(51)
Material	Body: Aluminium, Seal: NBR						
Installation method	Horizontal piping (coil position upward)						

KSX-8201 Series (Normally Open)

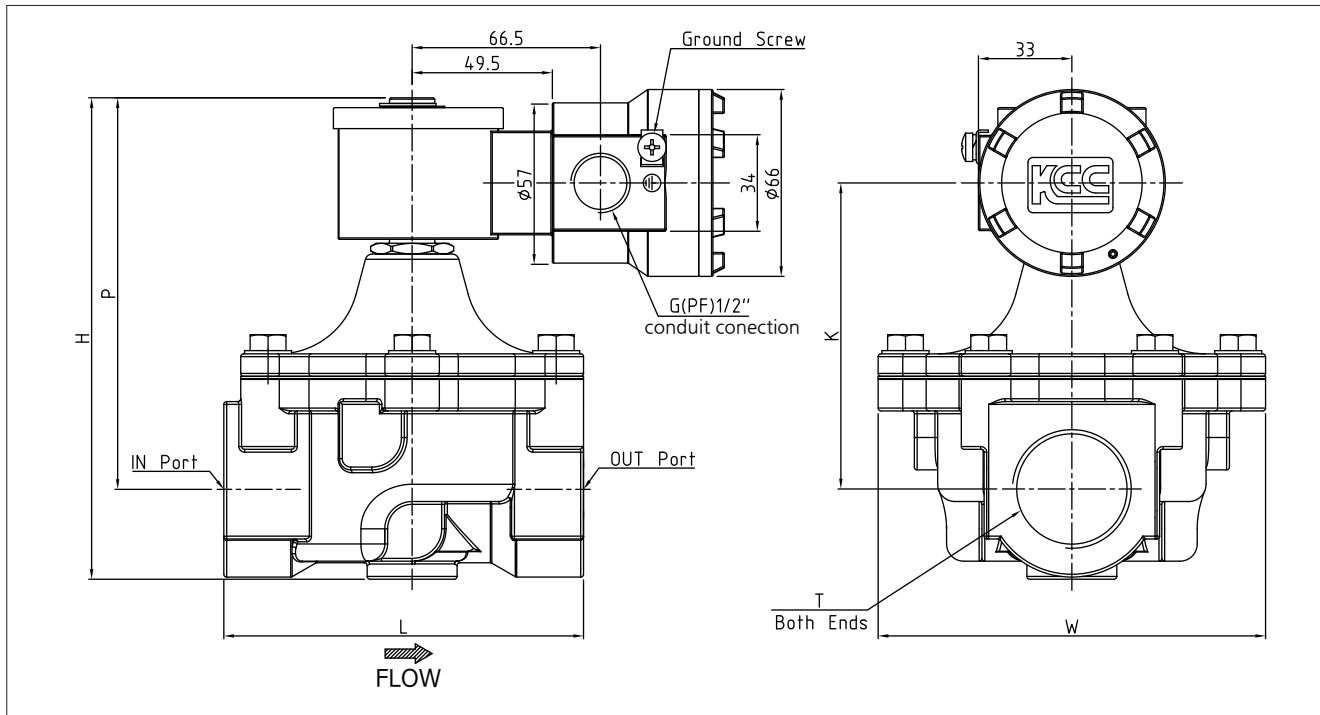
Code / Model	KSX**--8201-A*****		
	A03	A04	A06
Fluid	AIR or GAS(LNG, LPG)		
Port size	Rc(PT)3/8	Rc(PT)1/2	Rc(PT)3/4
Coil	EPC-14(Ø14)		
Operating pressure	AC/DC: 8.6bar		
	No minimum operating differential pressure required for operation(minimum differential pressure = 0MPa)		
Max. Fluid temperature	AC: 52℃, DC: 40℃		
Ambient temperature	-20 ~ +60℃(No freezing)		
Ambient humidity	Below RH 85%		
Lubrication	Non-lubrication		
Voltage	AC110/220V ±10% 60Hz, DC12/24/120V ±5%		
Power consumption	AC: 10.1W, DC: 11.6W		
Coil insulation	AC/DC : Class F(Class H: Option)		
Electric port	G(PF) 1/2(Cable Gland connection type)		
Explosion proof identification	Ex d mb IIC T4		
Effective sectional area Cv(Kv)	3.2(2.74)	4.0(3.4)	4.6(3.9)
Material	Body: Aluminium, Seal: NBR		
Installation method	Horizontal piping (coil position upward)		

Part drawing



No	Parts
1	Valve Body
2	Valve Cover
3	Diaphragm Ass'y
4	Plunger
5	Plunger Guide Ass'y
6	Molding Coil
7	Junction Box
8	Junction Box Cover
9	Spring Supporter
10	Rider Ring
11	Plunger Spring
12	Hanger Spring
13	Body O-Ring
14	Cover O-Ring
15	Plunger Guide O-Ring
16	Tension Ring
17	Name Plate
18	Ground Screw
19	Valve Cover Bolt
20	Fixing Bolt
21	Bracket(Optional)
22	Ring Washer
23	Sanp-Ring

Dimension



Model	H	K	L	P	W	T
KSX-8101-A10	173	108	127	142	137	Rc(PT) 1
KSX-8101-A12						Rc(PT) 1 1/4
KSX-8101-A14						Rc(PT) 1 1/2
KSX-8101-A20	190	115	155	151	160	Rc(PT) 2