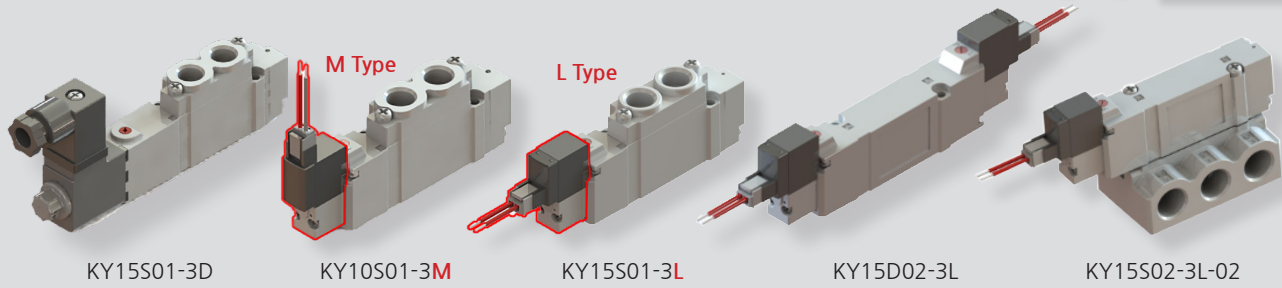
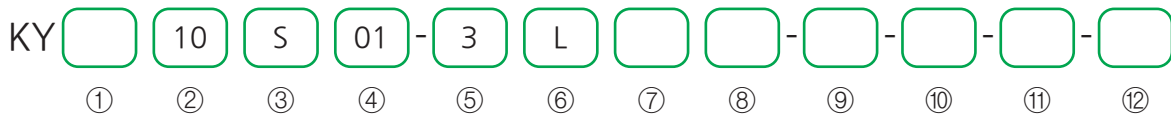


KY series



How to order



① Port type

Nil	Rc(PT) (Standard)
G	G(PF)

② Series

10	KY10 Series
15	KY15 Series
18	KY18 Series

③ Valve type

Valve type	Symbol
S Single acting	
D Double acting	
H Closed center	
I Pressure center	
J Exhaust center	

④ Mounting type

01	Direct mounting
02	Base mounting

⑤ Voltage

1	AC100 50Hz/110V 60Hz
2	AC200 50Hz/220V 60Hz
3	DC24V
4	DC12V

※ Custom made with AC24V, AC48V, DC48V, DC100V is available

⑥ Plug connector

L	M	
L type plug connector	M type plug connector	
D	DIN Coil + DIN connector	
Z	DIN Coil + DIN Connector Lamp Built-in surge killer	

※ All lead wire connection methods are non-polar type.
 ※ Plug connector type has built-in lamp as standard. (No surge protection)
 ※ For plug connector AC220V, only L type can be ordered.
 ※ DIN standard: DIN43650C, 9.4mm, 2P+1E
 ※ KY10 does not have D/Z type.

⑦ Lead wire length (Plug connector only)

Nil	400mm (Standard)
W10	1,000mm
W20	2,000mm
W50	5,000mm

※ In case of AC220V, a separate connector housing (3P) is used.
 ※ AC110V, DC12/24V: Use 2P connector housing

⑧ Manual button

Nil	PL
Non-lock push type (Standard)	Rush-tum lock type (Non-standard)

⑨ Seal material

Nil	NBR (Standard)
V	Heat-resistant material (Non-standard, KY18 only)

※ When ordering for heat resistance, please contact us in advance.

⑩ A, B port size (Only for direct piping type)

Nil	KY10: M5, KY15: 1/8, KY18: 1/4
C4	KY10: Ø4 One-touch fitting
C6	KY15: Ø6 One-touch fitting
C8	KY18: Ø8 One-touch fitting

⑪ Bracket (Direct mounting type only)

Nil	None
F2	Side Bracket

※ The foot bracket is only applicable to the 2-position single valve.
 ※ Bracket parts are for order production, so please inquire separately.

⑫ Sub base (Base mounted type only)

Mark	Port size	Applicable series
Nil	None	
01	1/8	KY10
02	1/4	KY15/18
03	3/8	KY18

※ When ordering a solenoid valve for direct piping as a single unit, Manifold mounting screws and gaskets are not included. Please order separately if necessary.
 ※ When ordering a base ported solenoid valve as a single unit, Manifold mounting screws and gaskets are included.

Features

- Excellent durability with its non-lubricated type.
- Minimized installing area with its small size.
- Perfect for controlling system by PLC or computer with its low consuming current type.

Direct type specification

Direct mounting type (refer to model code)

Code	Model	P	A, B	R1, R2
Nil	KY10	M5		
	KY15	Rc(PT)1/8		
	KY18	Rc(PT)1/4	Rc(PT)1/8	
G	KY10	-		
	KY15	G(PF)1/8		
	KY18	G(PF)1/4	G(PF)1/8	
C4	KY10	M5	Ø4 One-touch fitting	M5
C6	KY15	Rc(PT)1/8	Ø6 One-touch fitting	Rc(PT)1/8
C8	KY18	Rc(PT)1/4	Ø8 One-touch fitting	Rc(PT)1/8
-	KY10	-		
G-C6	KY15	G(PF)1/8	Ø6 One-touch fitting	G(PF)1/8
G-C8	KY18	G(PF)1/4	Ø8 One-touch fitting	G(PF)1/8

Port block (NO/NC) Port size (Refer to model code)

Code	Model	Port size
Nil	KY10	M5
	KY15	Rc(PT)1/8
	KY18	Rc(PT)1/4
G	KY10	-
	KY15	G(PF)1/8
	KY18	G(PF)1/4
C4	KY10	Ø4 One-touch fitting
C6	KY15	Ø6 One-touch fitting
C8	KY18	Ø8 One-touch fitting

Specifications

Code		KY10	KY15	KY18
Fluid		Air, Inert gas		
Effective sectional area mm ² (Cv)	S/D	2.9(0.16)	9.0(0.5)	14.4(0.8)
	H/I/J	2.4(0.13)	7.2(0.4)	10.8(0.6)
Operating pressure	S	0.15~0.7MPa(1.5 ~ 7.0kgf/cm ²)		
	D	0.1~0.7MPa(1.0 ~ 7.0kgf/cm ²)		
	H/I/J	0.2~0.7MPa(2.0 ~ 7.0kgf/cm ²)		
Max. operating frequency (Cycle/sec)	S/D	10	5	5
	H/I/J	3	3	3
Response time (at 0.5 MPa)	S	≤ 12ms	≤ 19ms	≤ 31ms
	D	≤ 10ms	≤ 18ms	≤ 27ms
	H/I/J	≤ 15ms	≤ 32ms	≤ 50ms
Lubrication		Not required (But, when lubricated Turbine oil ISO VG32 or equivalent)		
Manual operation		Push-turn lock type		
Apparent power	AC100V 50Hz/110V 60Hz	Plug connector type	1.02VA / 1.24VA	
		DIN connector type	-	3.50VA/3.94VA
	AC200V 50Hz/220V 60Hz	Plug connector type	1.58VA / 1.90VA	
		DIN connector type	-	3.34VA/3.78VA
Power Consumption	DC12/24V	Plug connector type	1.0W	
		DIN connector type	-	2.7W/3.0W
Normal voltage	AC	AC100V 50Hz/110V 60Hz AC200V 50Hz/220V 60Hz		
	DC	DC12/24V		
Allowable voltage		± 10% rated voltage		
Ambient temperature		-5°C ~ +50°C (No freezing)		
Coil insulation		Class B (Less than 130°C)		
Operation type		Internal pilot		
Pilot exhaust type		Main valve · Pilot collective exhaust type		
Shock/Vibration resistance		150/30m/s ²		
Protective structure		Dust proof		
Lead wire type		Plug connector (M, L type) DIN connector		

Weight table

Direct mounting type

Model	Plug connector type (Lead wire length 400mm)		DIN terminal type (DIN connector type)				
	A, B Port	Nipple assembly	One-touch fitting		Nipple assembly	One-touch fitting	
Connection type(P,A,B)	M5	M5, Ø4, Ø4(C4)		M5		M5, Ø4, Ø4(C4)	
Operating voltage	AC / DC	AC / DC	AC / DC		AC / DC		
			D(Din connector)	Z(Lamp + Surge killer)	D(Din connector)	Z(Lamp + Surge killer)	
KY10S01-□ (Single)	52g	60g		-	-	-	-
KY10D01-□ (Double)	72g	80g		-	-	-	-
KY10H01-□ (Close Center)	75g	83g		-	-	-	-
KY10I01-□ (Pressure Center)	75g	83g		-	-	-	-
KY10J01-□ (Exhaust Center)	75g	83g		-	-	-	-
Connection type(P,A,B)	Rc(PT)1/8	Rc(PT)1/8, Ø6, Ø6(C6)		Rc(PT)1/8		Rc(PT)1/8, Ø6, Ø6(C6)	
KY15S01-□ (Single)	68g	75g		-	-	105g	107g
KY15D01-□ (Double)	82g	89g		64g	68g	81g	85g
KY15H01-□ (Close Center)	87g	94g		79g	83g	154g	158g
KY15I01-□ (Pressure Center)	87g	94g		79g	83g	154g	158g
KY15J01-□ (Exhaust Center)	87g	94g		79g	83g	154g	158g
Connection type(P,A,B)	Rc(PT)1/4	Rc(PT)1/4, Ø8, Ø8(C8)		Rc(PT)1/4		Rc(PT)1/4, Ø8, Ø8(C8)	
KY18S01-□ (Single)	96g	107g		136g	140g	147g	151g
KY18D01-□ (Double)	113g	121g		150g	154g	161g	165g
KY18H01-□ (Close Center)	120g	129g		158g	162g	169g	173g
KY18I01-□ (Pressure Center)	120g	129g		158g	162g	169g	173g
KY18J01-□ (Exhaust Center)	120g	129g		158g	162g	169g	173g

Base mounting type

Model	Plug connector type (Lead wire length 400mm)	DIN terminal type (DIN connector type)	
		AC / DC	AC / DC
Operating voltage	AC / DC	D(DIN connector)	Z(Lamp + Surge killer)
KY10S02-□ (Single)	46g	-	-
KY10D02-□ (Double)	59g	-	-
KY10H02-□ (Close Center)	62g	-	-
KY10I02-□ (Pressure Center)	62g	-	-
KY10J02-□ (Exhaust Center)	62g	-	-
KY15S02-□ (Single)	56g	89g	91g
KY15D02-□ (Double)	68g	101g	103g
KY15H02-□ (Close Center)	75g	108g	110g
KY15I02-□ (Pressure Center)	75g	108g	110g
KY15J02-□ (Exhaust Center)	75g	108g	110g
KY18S02-□ (Single)	81g	116g	120g
KY18D02-□ (Double)	96g	131g	135g
KY18H02-□ (Close Center)	103g	138g	142g
KY18I02-□ (Pressure Center)	103g	138g	142g
KY18J02-□ (Exhaust Center)	103g	138g	142g

Sub base type

Model	Weight
KY10 SUB BASE	36g
KY15 SUB BASE	60g
KY18 SUB BASE	115g

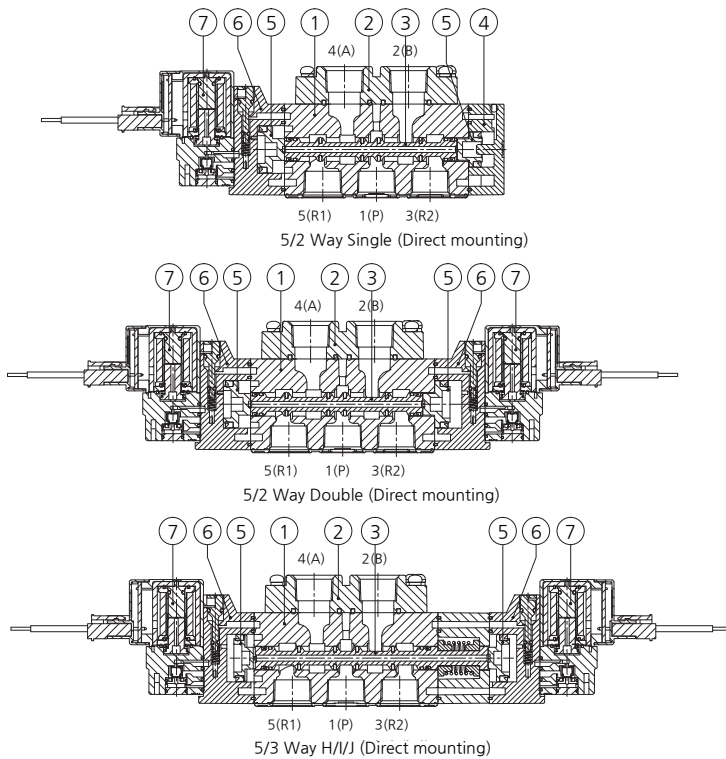


Manifold block

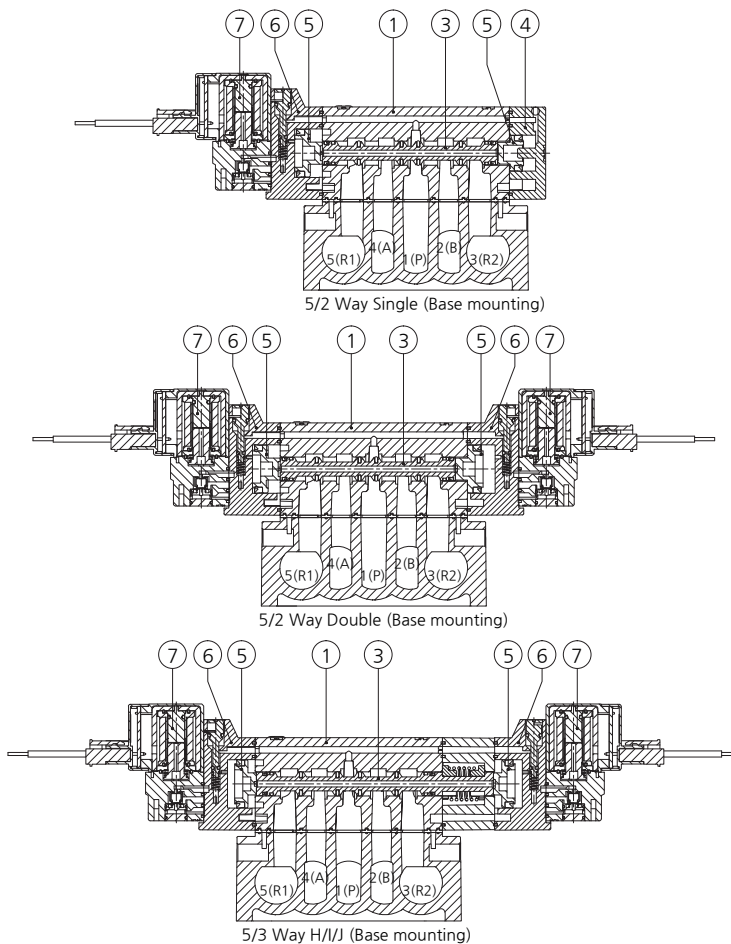
Unit: g

Code	KY10			KY15			KY18		
	Direct mounting type	Base mounting type		Direct mounting type	Base mounting type		Direct mounting type	Base mounting type	
		Nipple assembly	Ø4 One-touch fitting		Nipple assembly	Ø4 One-touch fitting		Nipple assembly	Ø4 One-touch fitting
	KYMF1001	KYMF1002	KYMFC41002	KYMF1501	KYMF1502	KYMFC61002	KYMF1801	KYMF1802	KYMFC81002
2 Station	49	126	135	138	205	209	129	550	541
3 Station	62	148	157	174	263	272	174	641	618
4 Station	73	170	175	210	321	350	219	732	688
5 Station	84	192	209	246	379	433	264	823	751
6 Station	95	214	263	282	437	521	309	914	849
7 Station	106	236	321	318	495	614	354	1,005	989
8 Station	117	258	383	354	553	712	399	1,096	1,136
9 Station	128	280	449	390	611	815	444	1,187	1,290
10 Station	139	302	519	426	669	923	489	1,278	1,451
11 Station	150	324	593	462	727	1,036	534	1,369	1,619
12 Station	161	346	671	498	785	1,154	579	1,460	1,794
13 Station	172	368	753	534	843	1,277	624	1,551	1,976
14 Station	183	390	839	570	901	1,405	669	1,642	2,165
15 Station	194	412	929	606	959	1,538	714	1,733	2,361

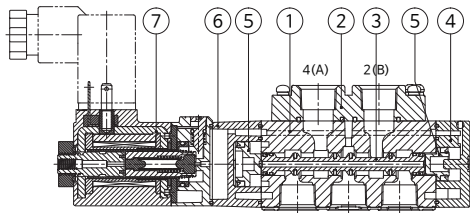
Structure (Plug connector) KY10 / 15 / 18



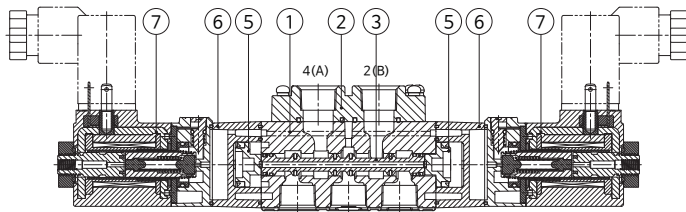
No.	Parts	Material
1	BODY	AL or ZnDC
2	PORT BLOCK	AL or ZnDC
3	SPOOL ASS'Y	AL, NBR
4	COVER	Resin
5	PISTON	Resin
6	PILOT ASS'Y	-
7	SOLENOID ASS'Y	-



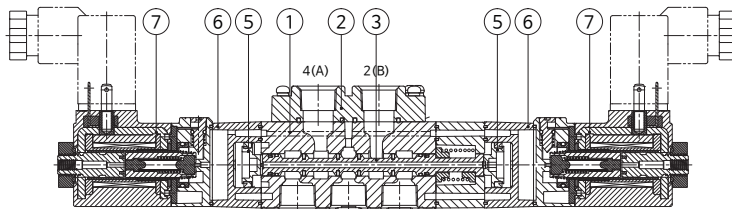
Structure (DIN connector) KY15 / 18



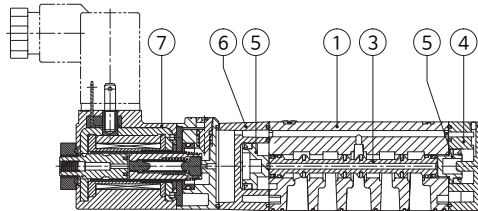
5(R1) 1(P) 3(R2)
5/2 Way Single (Direct mounting)



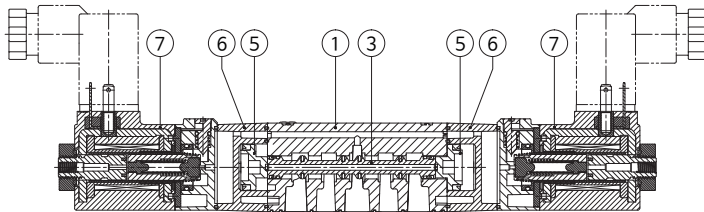
5(R1) 1(P) 3(R2)
5/2 Way Double (Direct mounting)



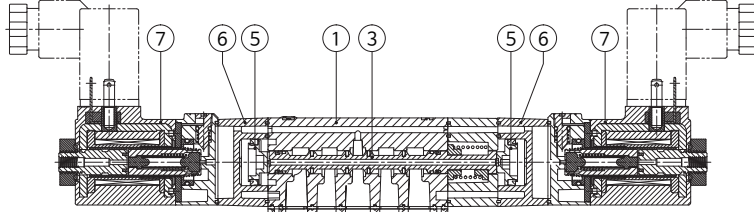
5(R1) 1(P) 3(R2)
5/3 Way H/I/J (Direct mounting)



5(R1) 4(A) 1(P) 2(B) 3(R2)
5/2 Way Single (Base mounting)



5(R1) 4(A) 1(P) 2(B) 3(R2)
5/2 Way Double (Base mounting)

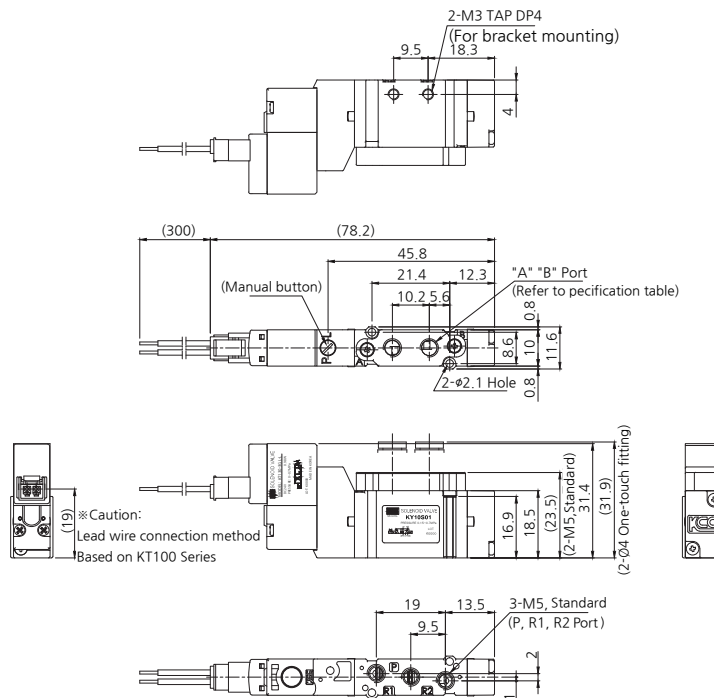


5(R1) 4(A) 1(P) 2(B) 3(R2)
5/3 Way H/I/J (Base mounting)

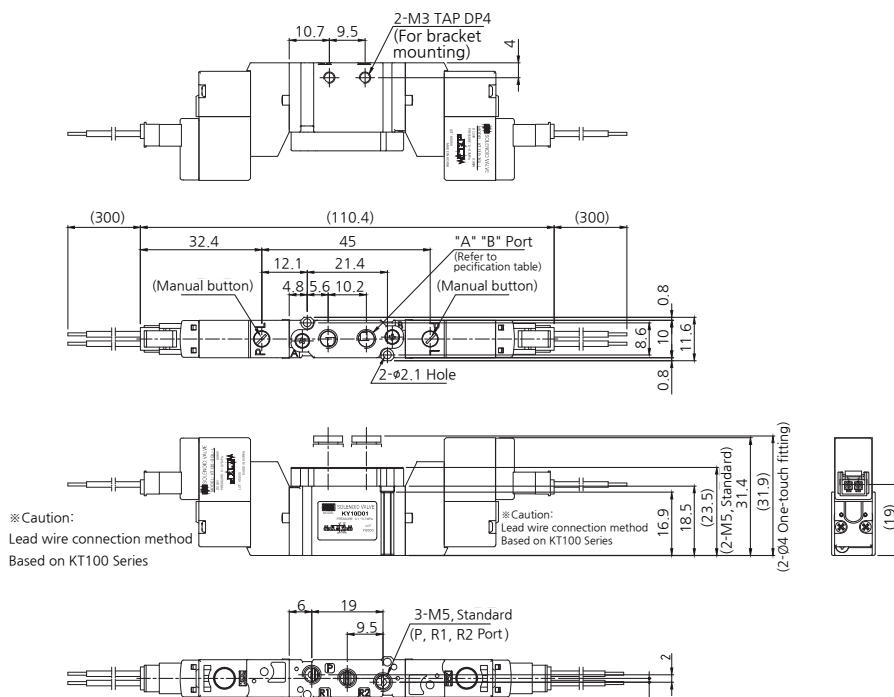
No.	Parts	Material
1	BODY	AL or ZnDC
2	PORT BLOCK	AL or ZnDC
3	SPOOL ASS'Y	AL, NBR
4	COVER	Resin
5	PISTON	Resin
6	PILOT ASS'Y	-
7	SOLENOID ASS'Y	-

Dimensions / KY10(Direct mounting type)

Single(KY10S01) - Plug connector

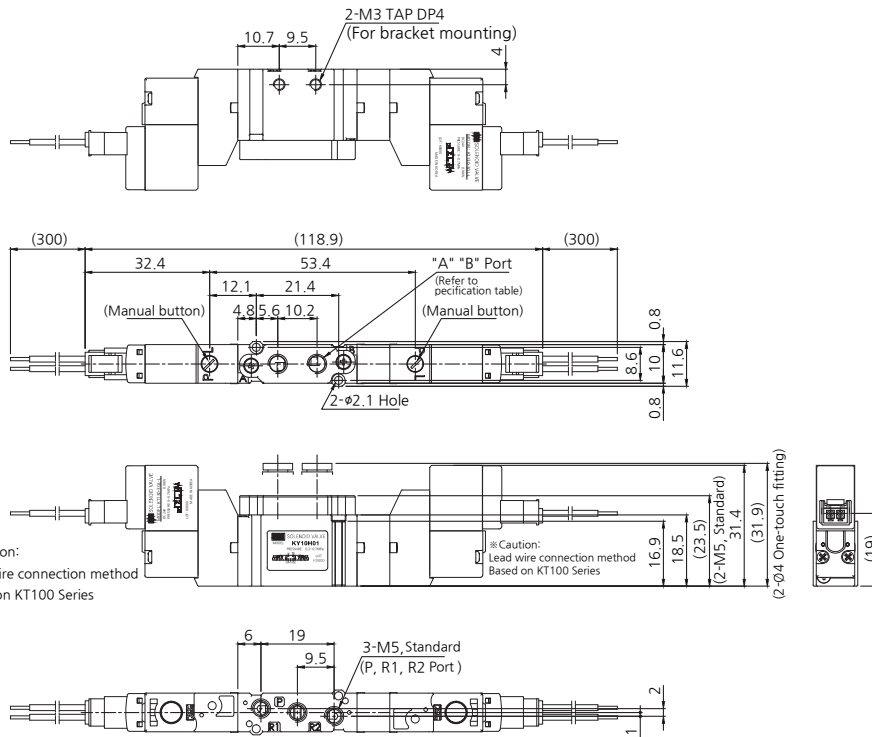


Double (KY10D01) - Plug connector



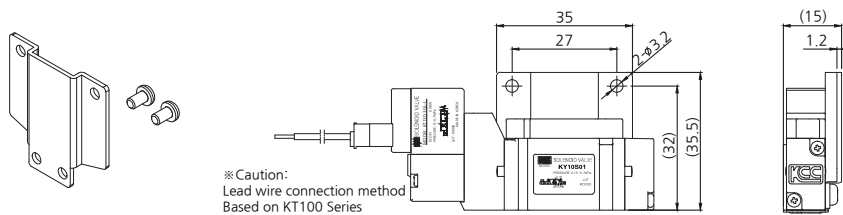
Dimensions / KY10(Direct mounting type)

3Position (KY10H/I/J01) - Plug connector

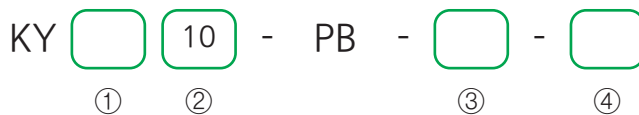


Option parts / KY10(Direct mounting type)

With side bracket(KY10-F2)



Port block (Single type only)



① Port type

Nil	Rc(PT) (Standard)
G	G(PF)

② Model

10	KY10 Series
----	-------------

③ Port size

Nil	M5
C4	ϕ 4 One-touch fitting

※ One-touch fitting type is also blank.

④ Shape

Nil	OC
Standard (Port: 2ea)	NO_NC type (Port: 1ea)

※ The shape may be different from the picture.

How to order

KYMF 10 01 - 05
 ① ② ③ ④

① Port type

Nil	Rc(PT) (Standard)
G	G(PF)
C4	Ø4 One-touch fitting

② Model

10	KY10 Series
----	-------------

③ Mounting type

01	Direct mounting
----	-----------------

④ Station

02	2 Station
03	3 Station
:	:
15	15 Station

※When ordering a manifold, mounting bolts and port plugs are included.

※When ordering a direct ported manifold, valve mounting screws and gaskets are included in proportion to the number of stations.

※When ordering a base ported manifold, the valve mounting screw and gasket are not included, so if necessary, order it separately.

Dimensions / KY10(Direct mounting type, Manifold)

Plug connector

Body gasket
Model : KY1001-BG

Blanking plate
Model : KY10-BP

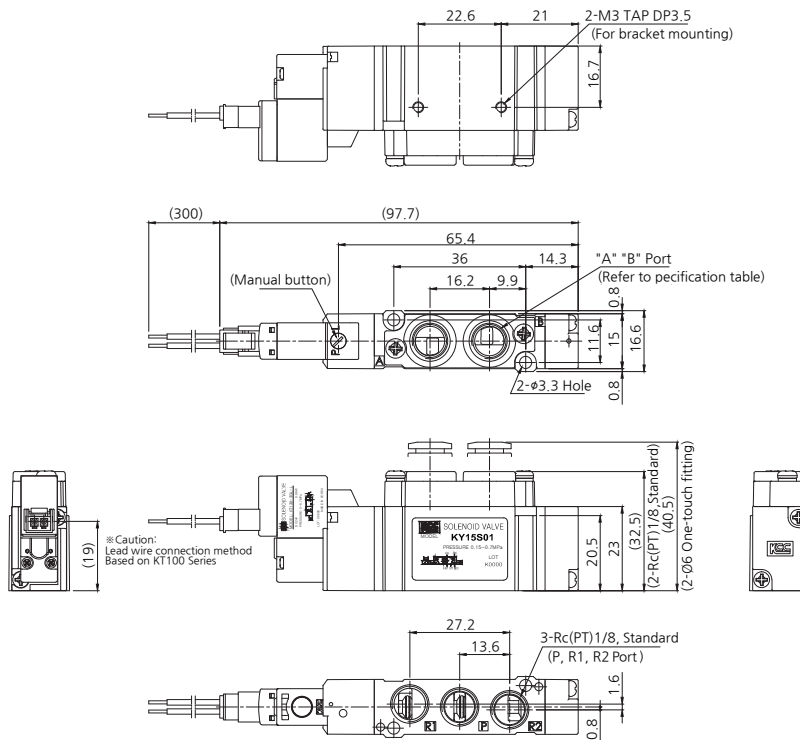
※ Caution:
Lead wire connection method
Based on KT100 Series

※The actual shape can vary.

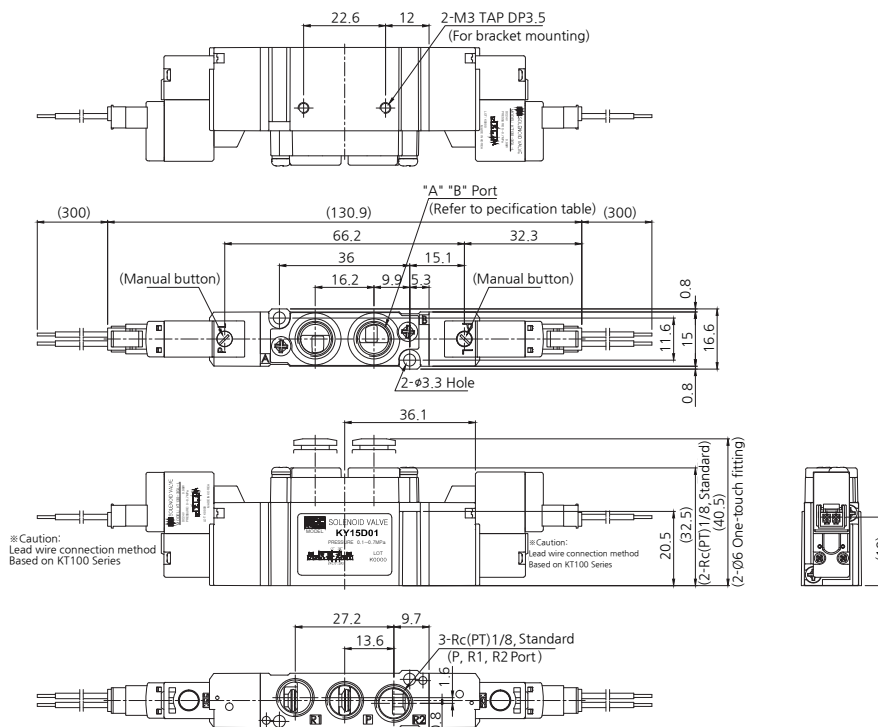
Station(n)	2	3	4	5	6	7	8	9	10	11	12	13	14	15
L1	30.5	41	51.5	62	72.5	83	93.5	104	114.5	125	135.5	146	156.5	167
L2	38.5	49	59.5	70	80.5	91	101.5	112	122.5	133	143.5	154	164.5	175

Dimensions / KY15(Direct mounting type)

Single (KY15S01) - Plug connector

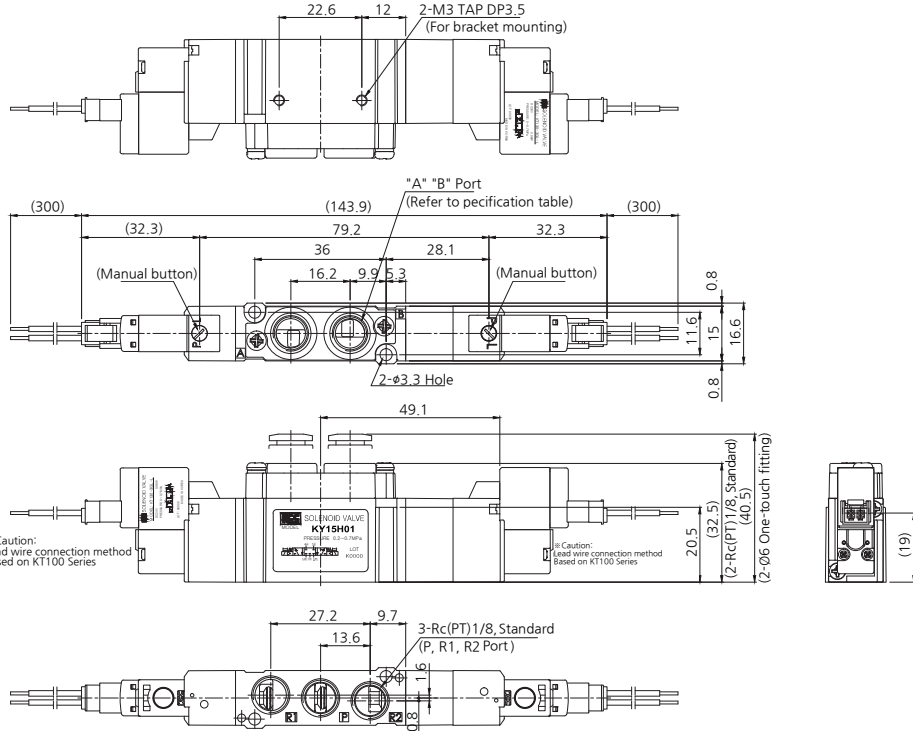


Double (KY15D01) - Plug connector



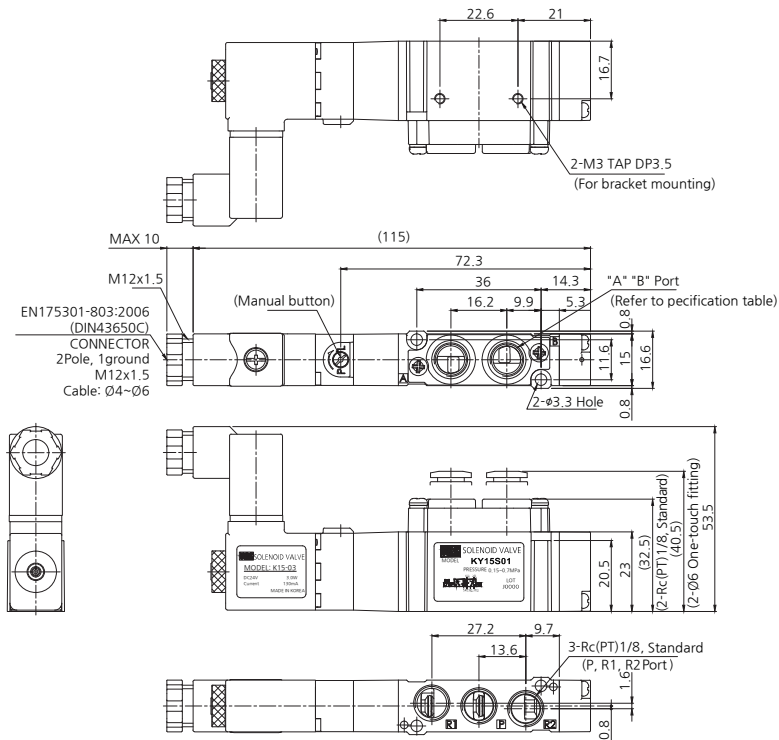
Dimensions / KY15(Direct mounting type)

3Position (KY15H/I/J01) - Plug connector

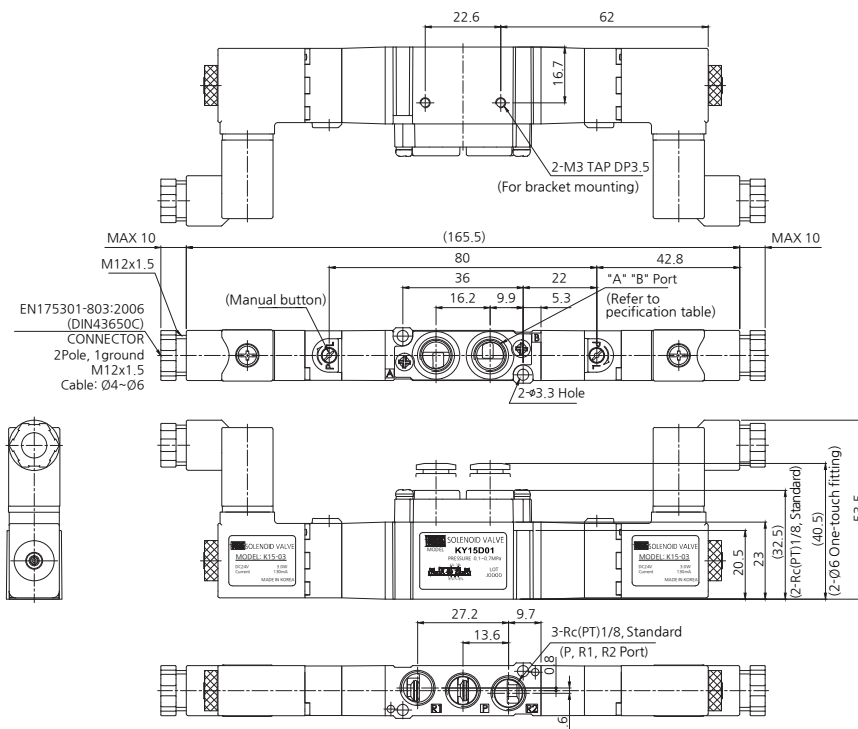


Dimensions / KY15(Direct mounting type)

Single (KY15S01) - DIN connector



Double (KY15D01) - DIN connector



How to order

KYMF 15 01 - 05

① ② ③ ④

① Port type

Nil	Rc(PT) (Standard)
G	G(PF)
C6	Ø6 One-touch fitting

② Model

15	KY15 Series
----	-------------

③ Mounting type

01	Direct mounting
----	-----------------

④ Station

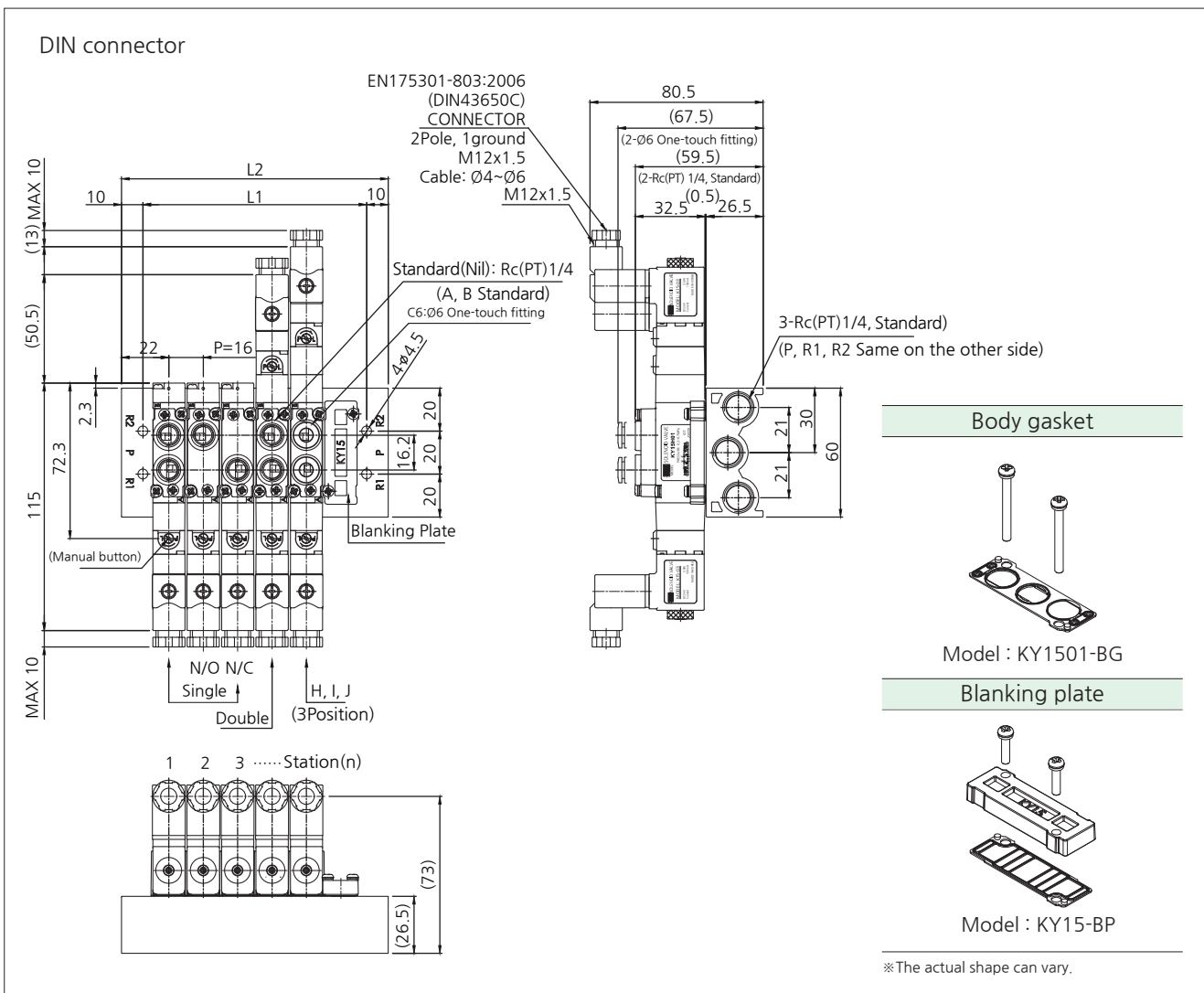
02	2 Station
03	3 Station
:	:
15	15 Station

※When ordering a manifold, mounting bolts and port plugs are included.

※When ordering a direct ported manifold, valve mounting screws and gaskets are included in proportion to the number of stations.

※When ordering a base ported manifold, the valve mounting screw and gasket are not included, so if necessary, order it separately.

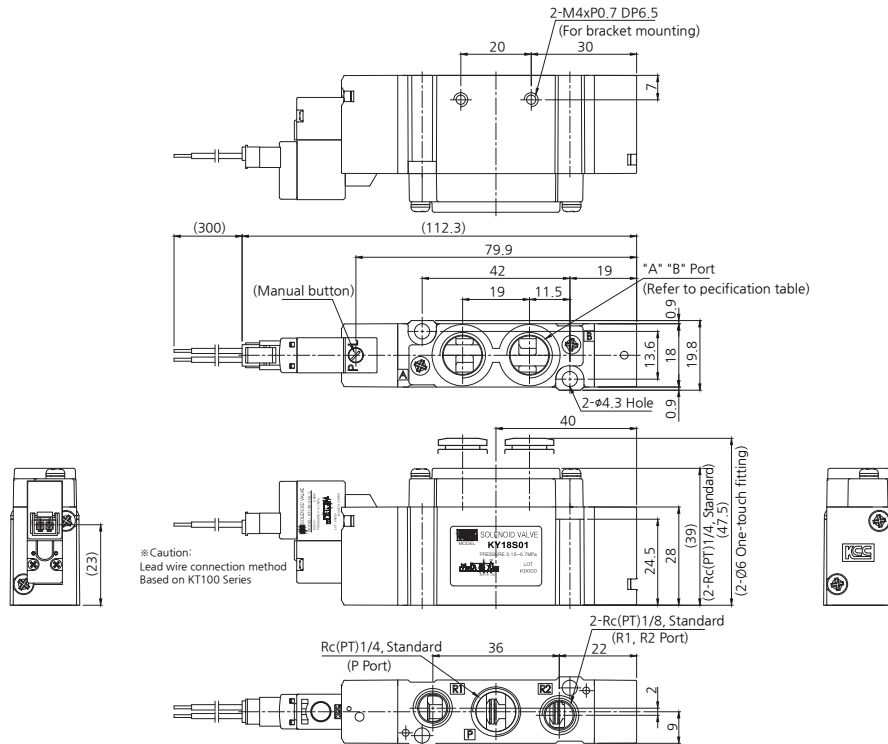
Dimensions / KY15(Direct mounting type, Manifold)



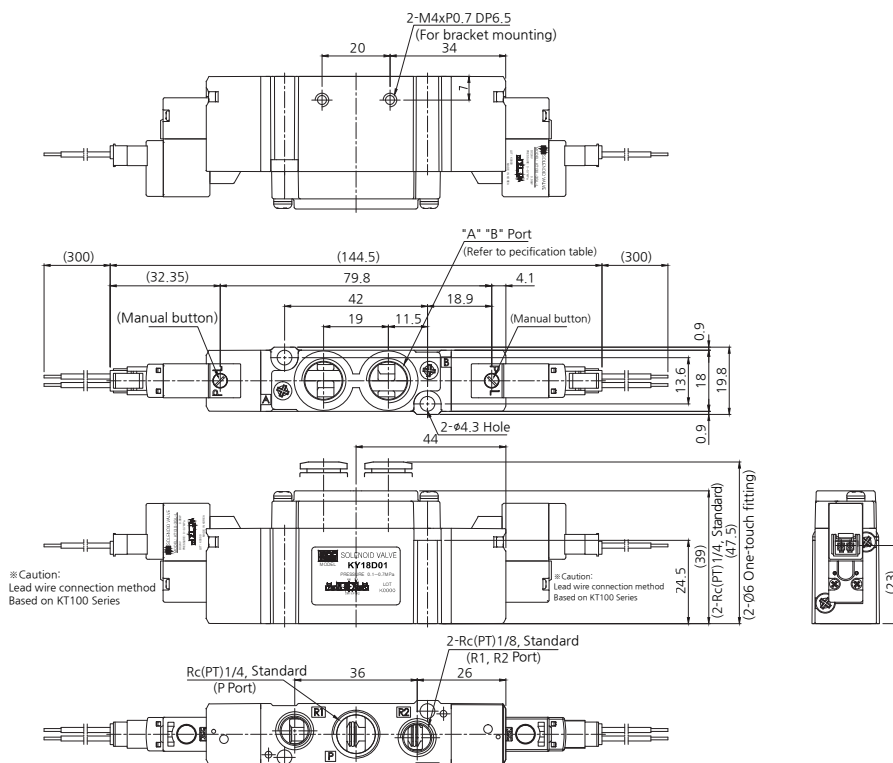
Station(n)	2	3	4	5	6	7	8	9	10	11	12	13	14	15
L1	40	56	72	88	104	120	136	152	168	184	200	216	232	248
L2	60	76	92	108	124	140	156	172	188	204	220	236	252	268

Dimensions / KY18(Direct mounting type)

Single (KY18S01) - Plug connector

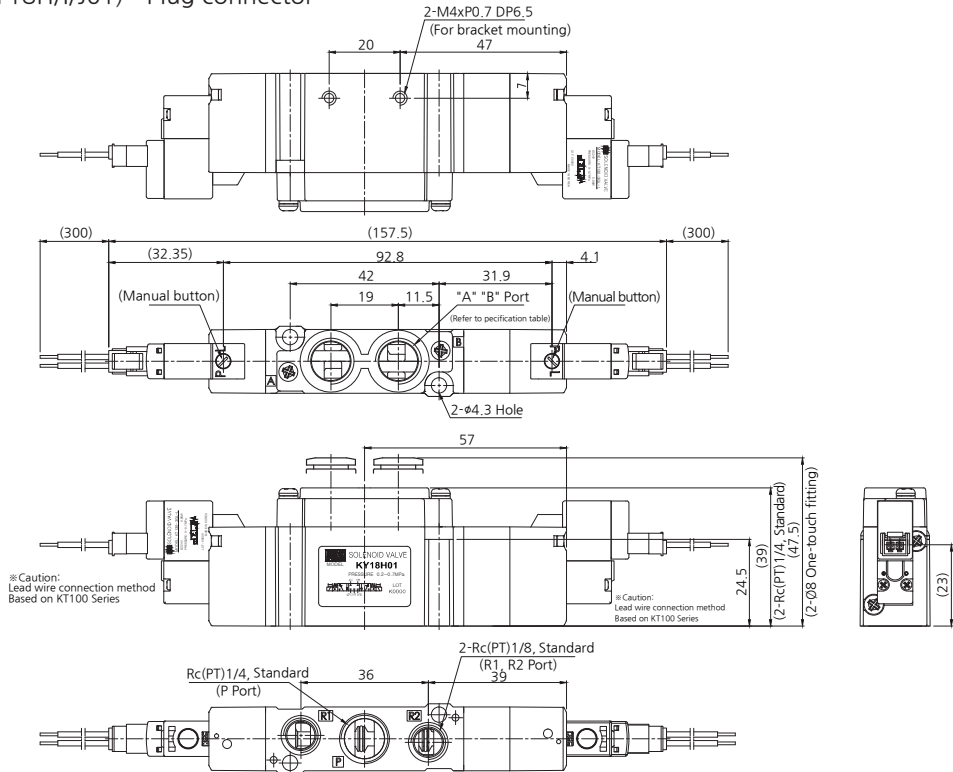


Double (KY18D01) - Plug connector



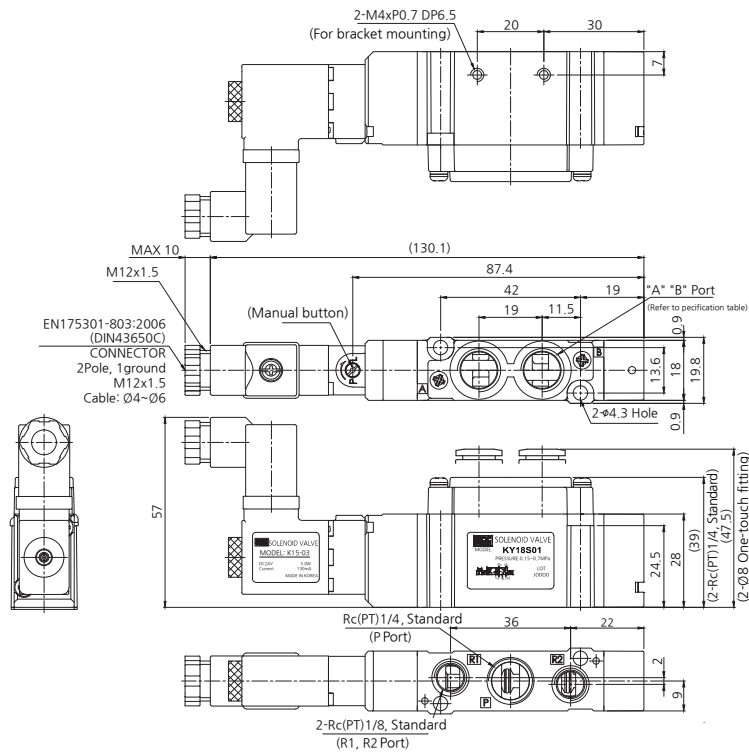
Dimensions / KY18(Direct mounting type)

3Position (KY18H/I/J01) - Plug connector

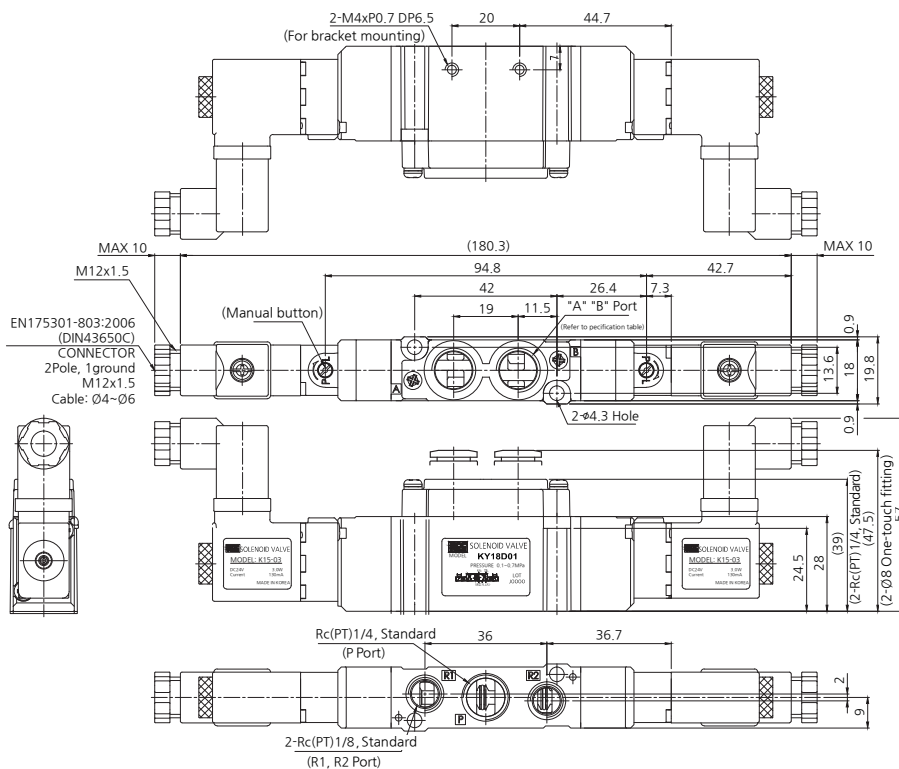


Dimensions / KY18(Direct mounting type)

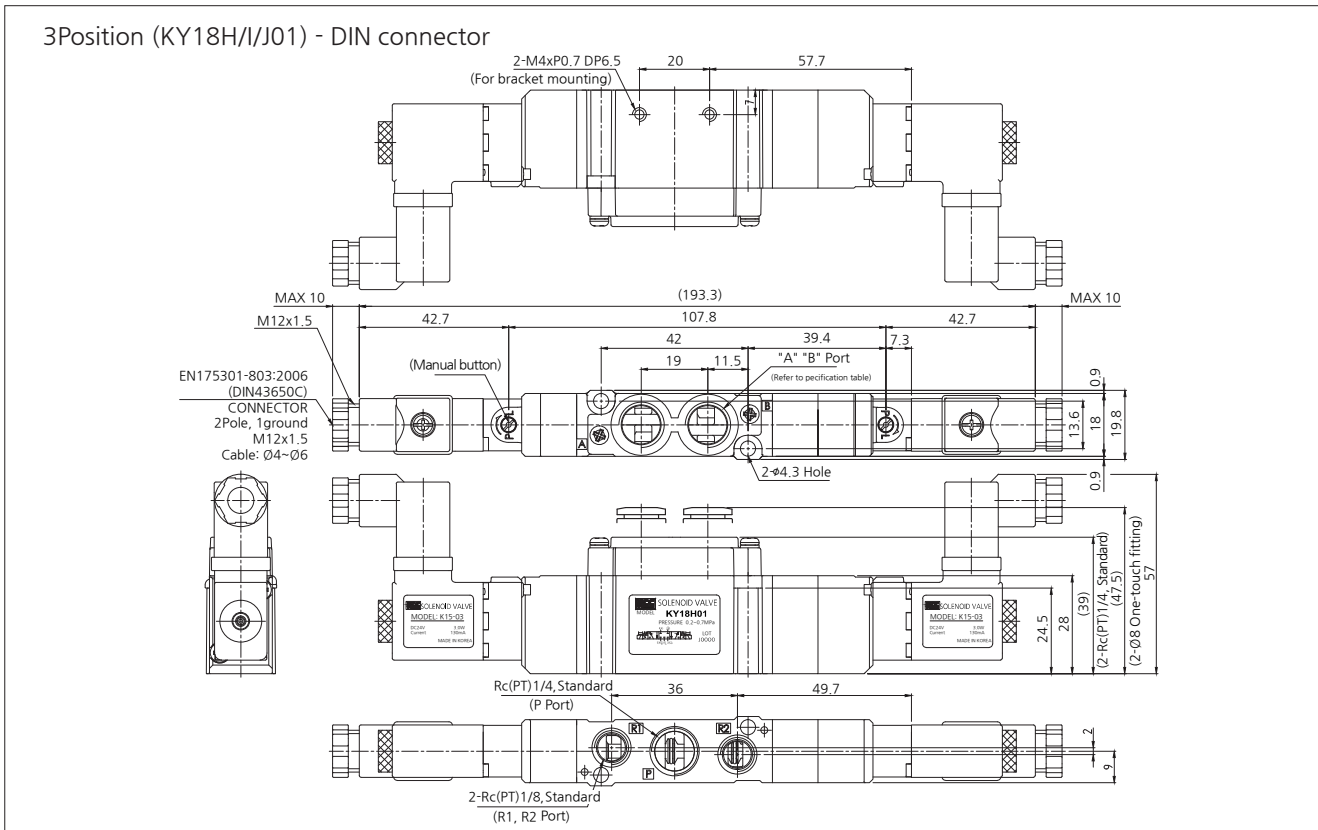
Single (KY18S01) - DIN connector



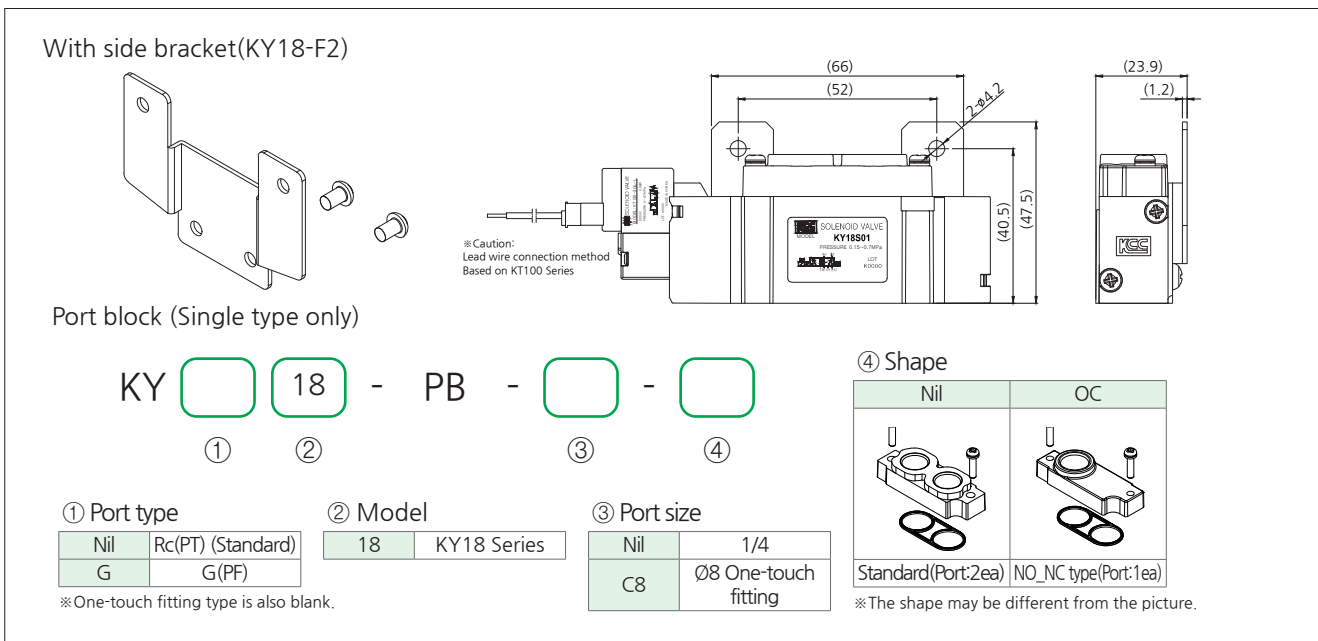
Double (KY18D01) - DIN connector



Dimensions / KY18(Direct mounting type)



Option parts / KY18(Direct mounting type)



How to order

KYMF 18 01 - 05
 ① ② ③ ④

① Port type

Nil	Rc(PT) (Standard)
G	G(PF)
C8	Ø8 One-touch fitting

② Model

18	KY18 Series
----	-------------

③ Mounting type

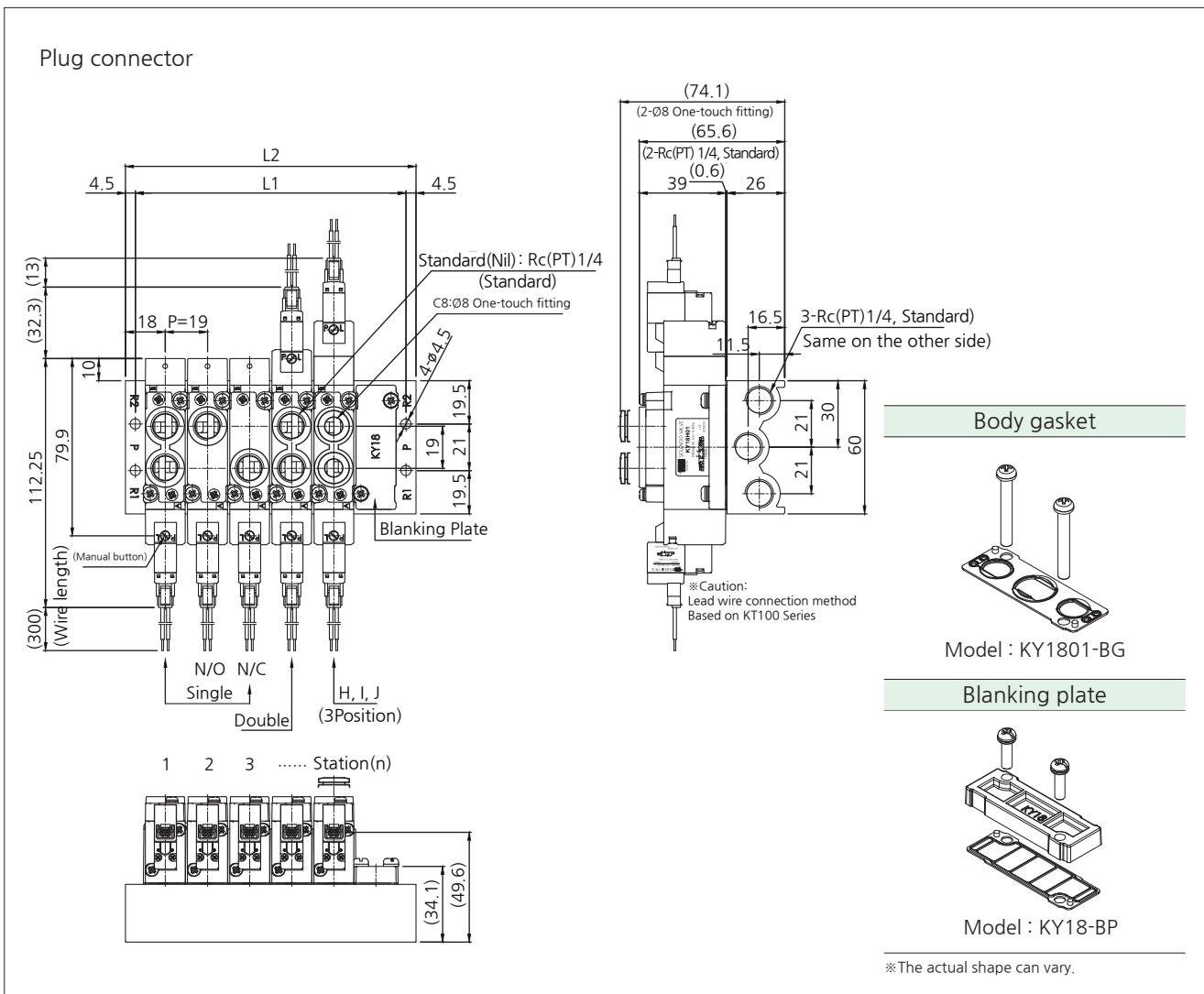
01	Direct mounting
----	-----------------

④ Station

02	2 Station
03	3 Station
:	:
15	15 Station

※When ordering a manifold, mounting bolts and port plugs are included.
 ※When ordering a direct ported manifold, valve mounting screws and gaskets are included in proportion to the number of stations.
 ※When ordering a base ported manifold, the valve mounting screw and gasket are not included, so if necessary, order it separately.

Dimensions / KY18(Direct mounting type, Manifold)



Station(n)	2	3	4	5	6	7	8	9	10	11	12	13	14	15
L1	46	65	84	103	122	141	160	179	198	217	236	255	274	293
L2	55	74	93	112	131	150	169	188	207	226	245	264	283	302

How to order

KYMF 18 01 - 05

① ② ③ ④

① Port type

Nil	Rc(PT) (Standard)
G	G(PF)
C8	Ø8 One-touch fitting

② Model

18	KY18 Series
----	-------------

③ Mounting type

01	Direct mounting
----	-----------------

④ Station

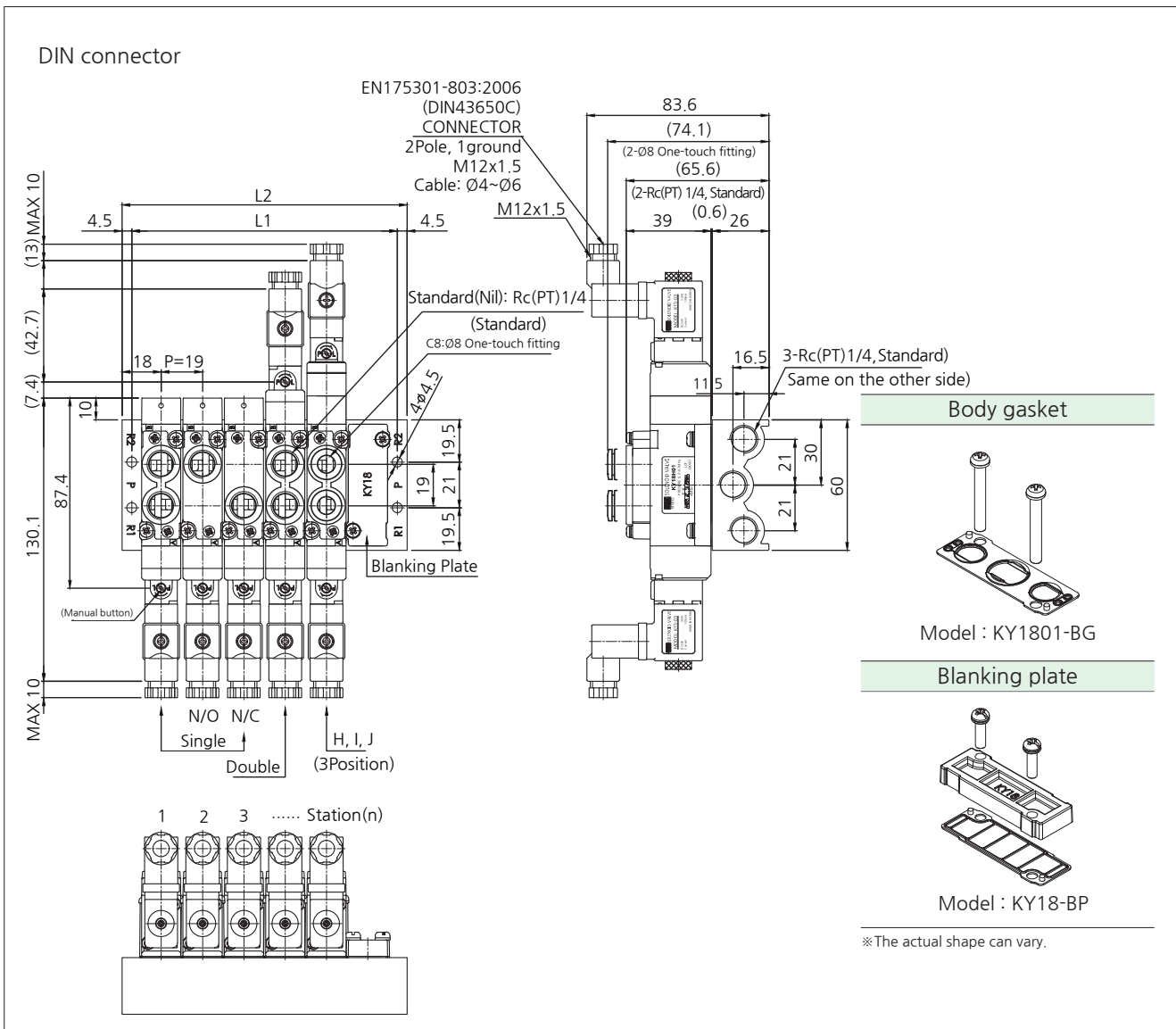
02	2 Station
03	3 Station
:	:
15	15 Station

※When ordering a manifold, mounting bolts and port plugs are included.

※When ordering a direct ported manifold, valve mounting screws and gaskets are included in proportion to the number of stations.

※When ordering a base ported manifold, the valve mounting screw and gasket are not included, so if necessary, order it separately.

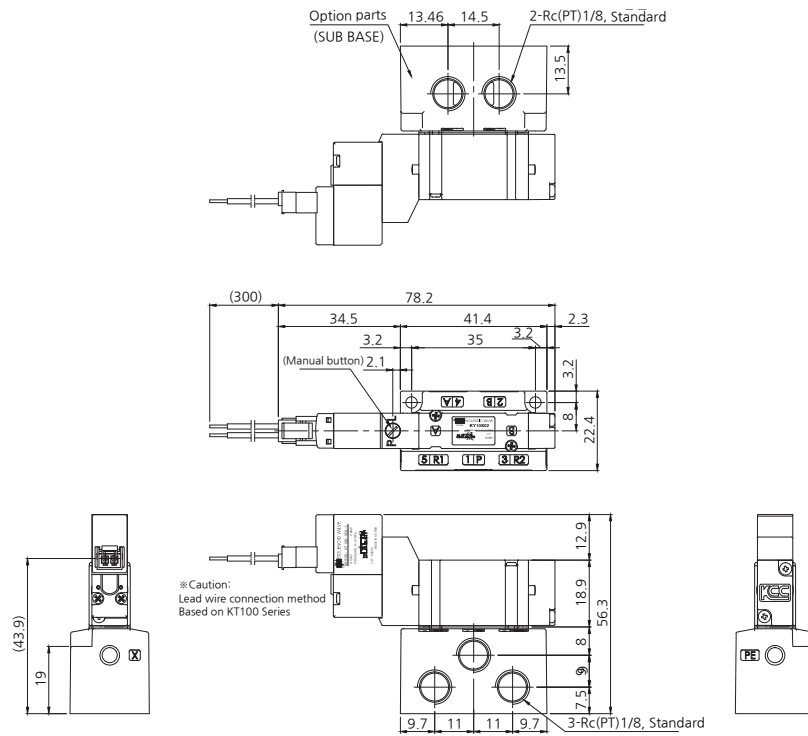
Dimensions / KY18(Direct mounting type, Manifold)



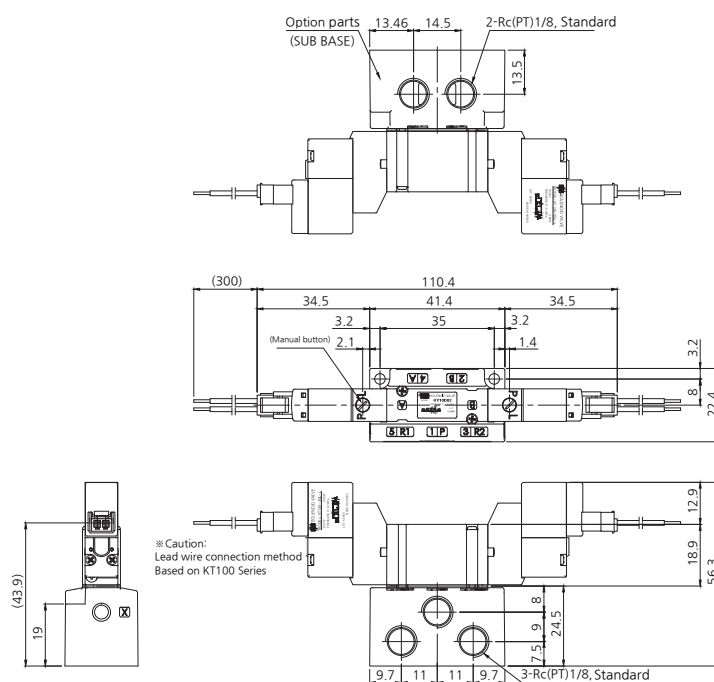
Station(n)	2	3	4	5	6	7	8	9	10	11	12	13	14	15
L1	46	65	84	103	122	141	160	179	198	217	236	255	274	293
L2	55	74	93	112	131	150	169	188	207	226	245	264	283	302

Dimensions / KY10(Base mounting type)

Single (KY10S02) - Plug connector

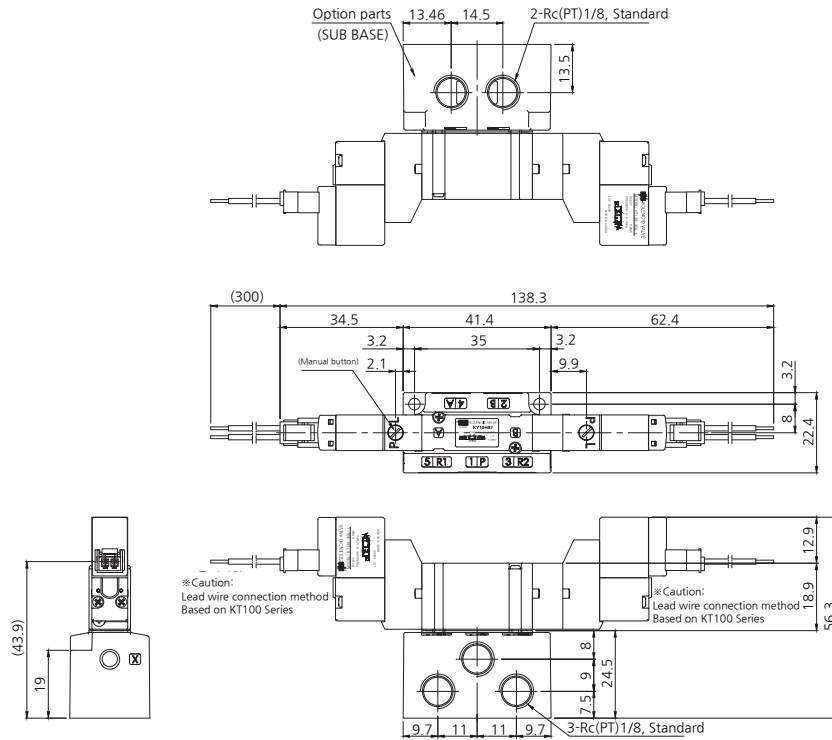


Double (KY10D02) - Plug connector



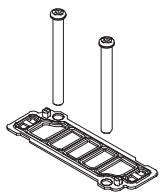
Dimensions / KY10(Base mounting type)

3Position standard(KY10H/I/J02) - Plug connector



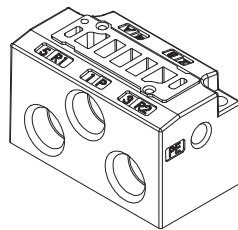
Option parts / KY10(Base mounting type)

Body gasket



Model : KY1002-BG

KY10(Base mounting) Sub base



KY 10 - SB -

① ② ③

① Port type

Nil	Rc(PT) (Standard)
G	G(PF)

② Model

10	KY10 Series
----	-------------

③ Port size

01	1/8
----	-----

※Mounting bolt, valve gasket, etc. are not included.

How to order / KY10(Base mounting type, Manifold)

KYMF 10 02 - 05

① ② ③ ④

① Port type

Nil	Rc(PT) (Standard)
G	G(PF)
C4	Ø4 One-touch fitting

② Model

10	KY10 Series
----	-------------

③ Mounting type

02	Base mounting
----	---------------

④ Station

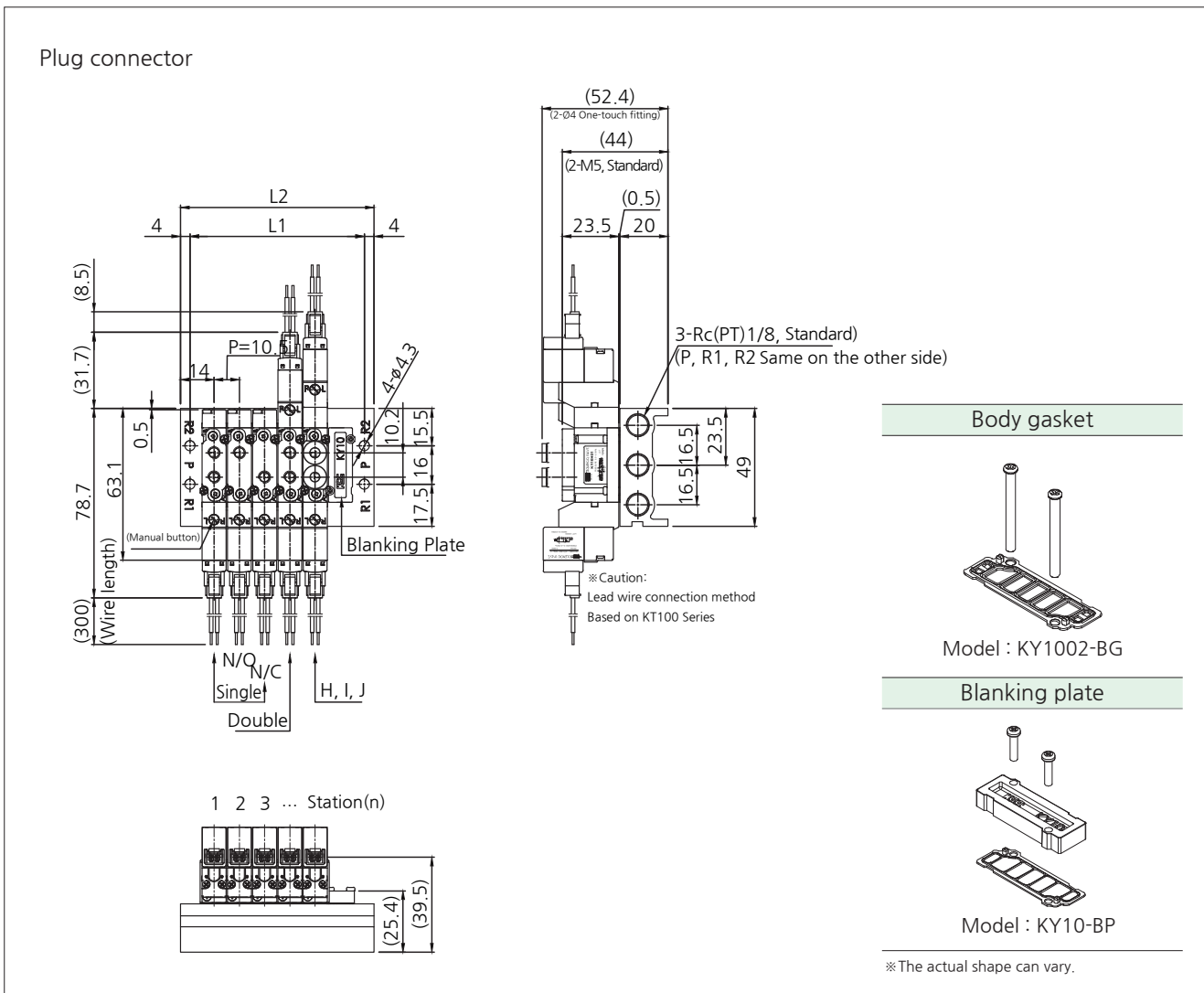
02	2 Station
03	3 Station
:	:
15	15 Station

※When ordering a manifold, mounting bolts and port plugs are included.

※When ordering a direct ported manifold, valve mounting screws and gaskets are included in proportion to the number of stations.

※When ordering a base ported manifold, the valve mounting screw and gasket are not included, so if necessary, order it separately.

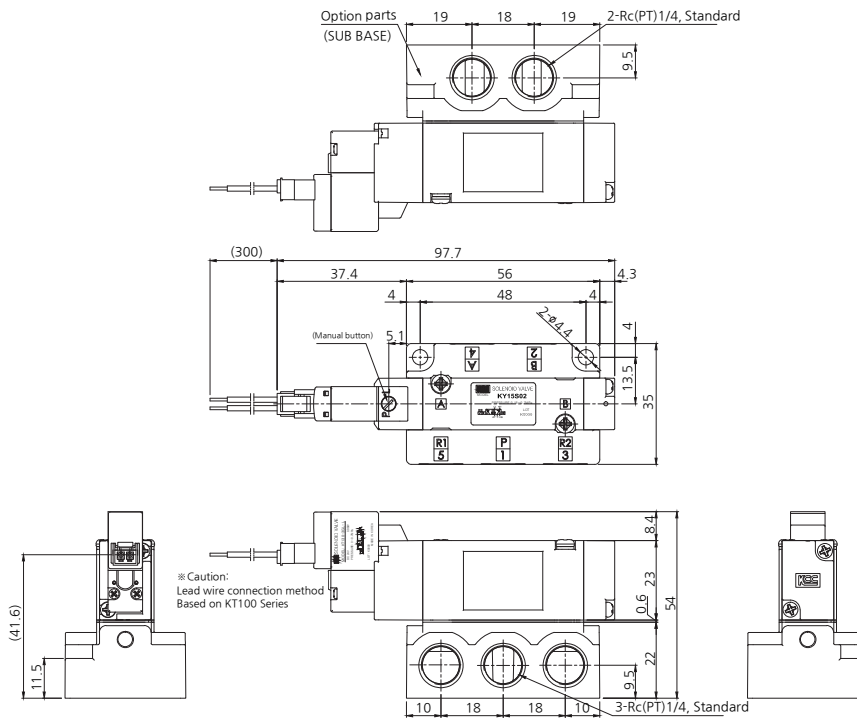
Dimensions / KY10(Base mounting type, Manifold)



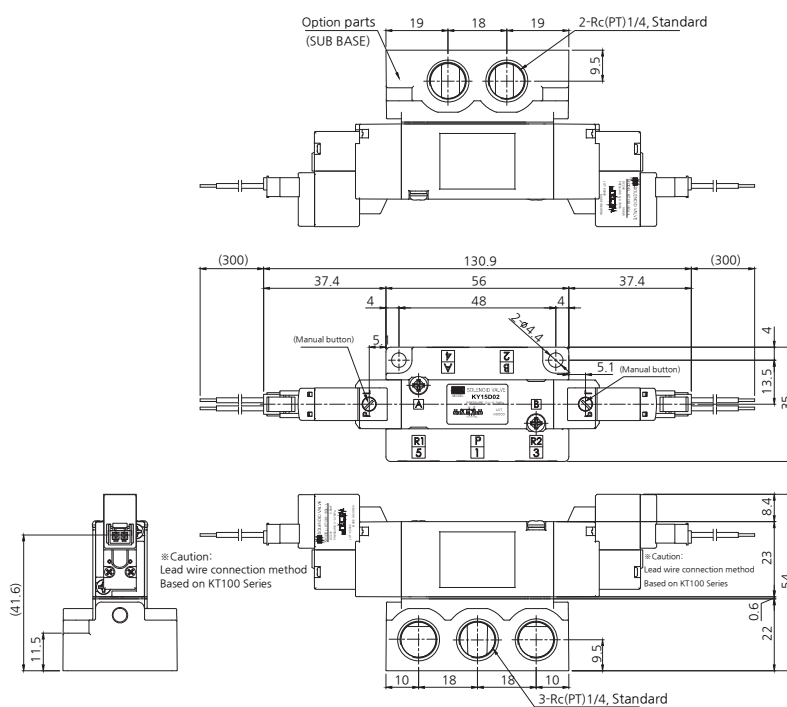
Station(n)	2	3	4	5	6	7	8	9	10	11	12	13	14	15
L1	30.5	41	51.5	62	72.5	83	93.5	104	114.5	125	135.5	146	156.5	167
L2	38.5	49	59.5	70	80.5	91	101.5	112	122.5	133	143.5	154	164.5	175

Dimensions / KY15(Base mounting type)

Single (KY15S02) - Plug connector

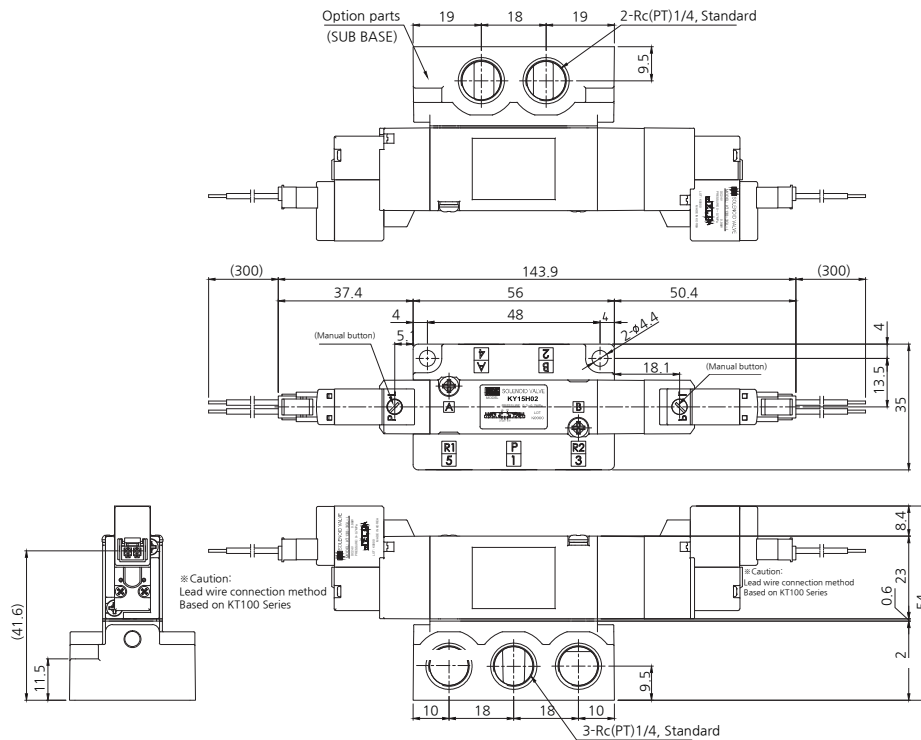


Double (KY15D02) - Plug connector



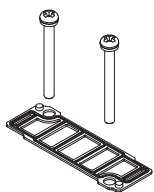
Dimensions / KY15(Base mounting type)

3Position (KY15H/I/J02) - Plug connector



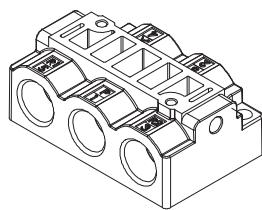
Option Parts / KY15(Base mounting type)

Body gasket



Model : KY1502-BG

KY15(Base mounting) Sub base



KY 15 - SB -

① ② ③

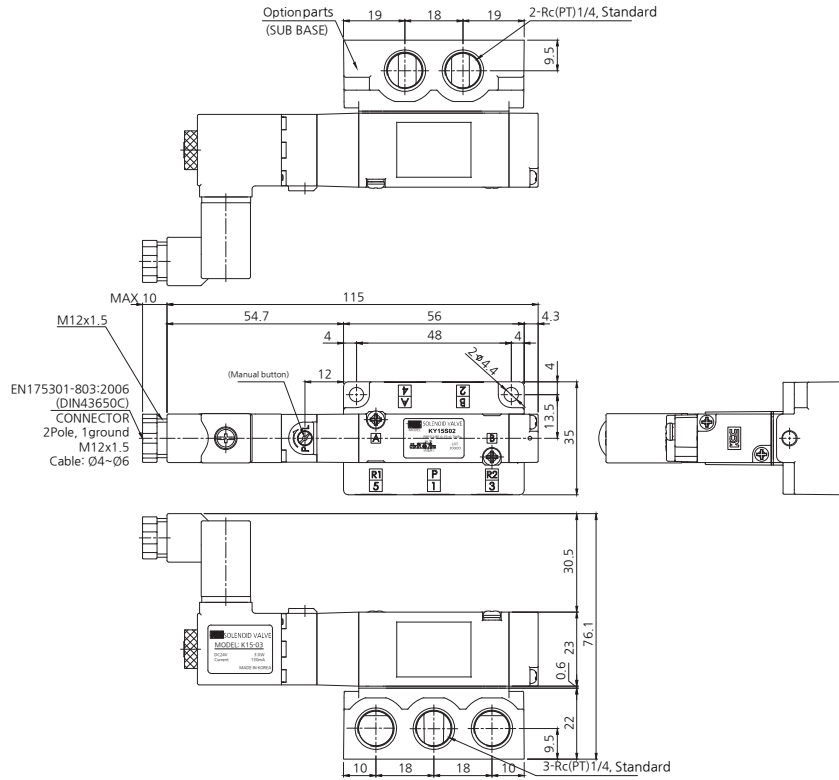
① Port type ② Model ③ Port size

Nil	Rc(PT) (Standard)	15	KY15 Series	02	1/4
G	G(PF)				

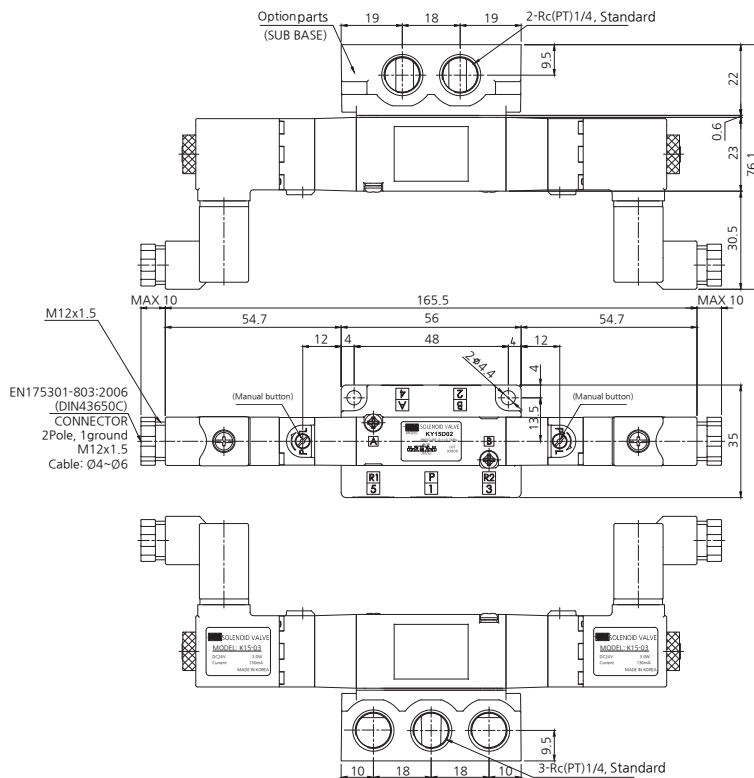
※Mounting bolt, valve gasket, etc. are not included.

Dimensions / KY15(Base mounting type)

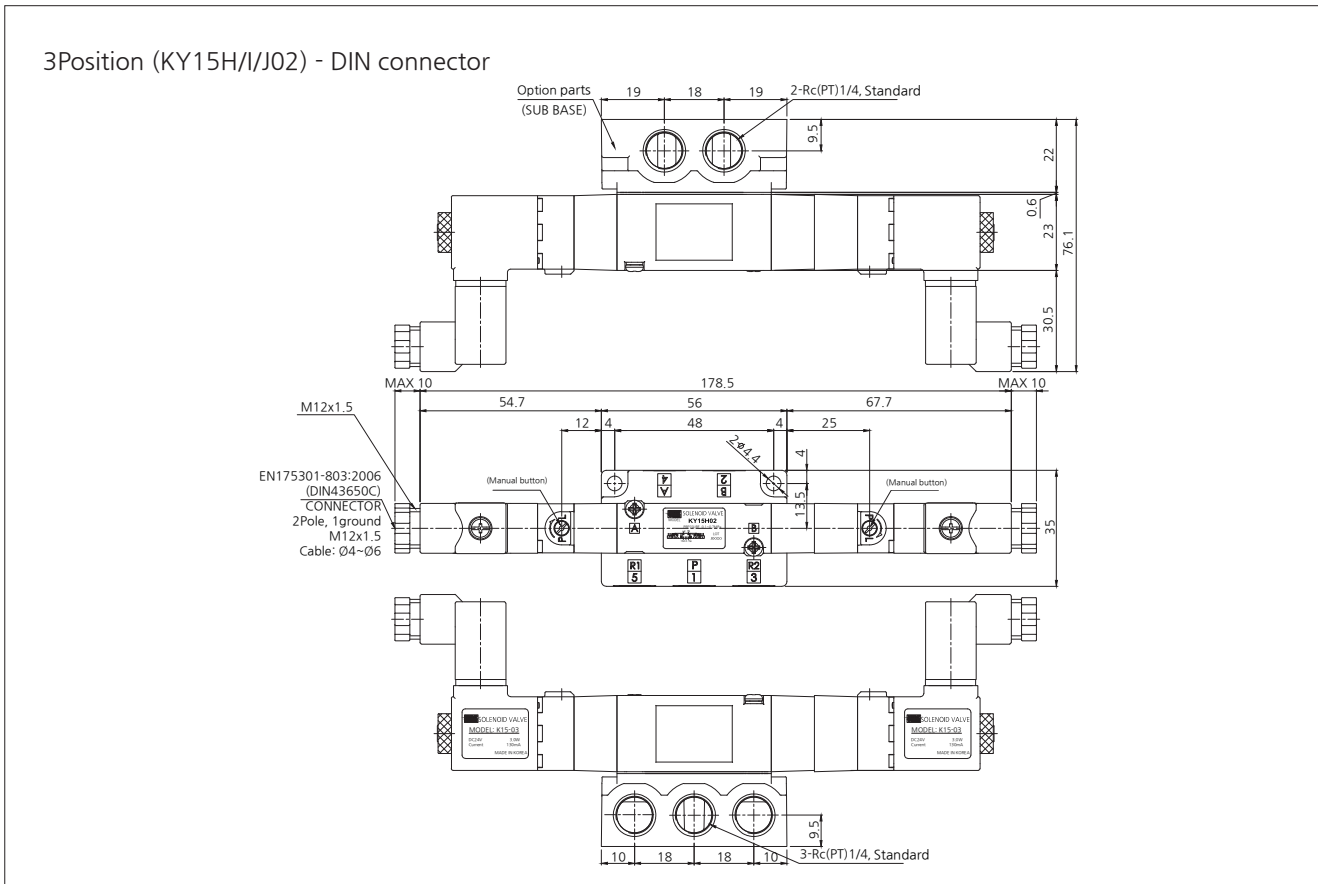
Single (KY15S02) - DIN connector



Double (KY15D02) - DIN connector

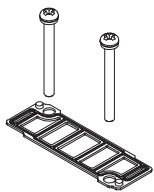


Dimensions / KY15(Base mounting type)



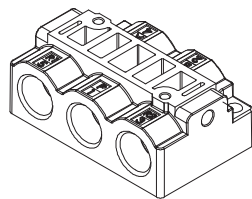
Option parts / KY15(Base mounting type)

Body gasket



Model : KY1502-BG

KY15(Base mounting) Sub base



KY - SB -

① ② ③

① Port type

Nil	Rc(PT) (Standard)
G	G (PF)

② Model

15	KY15 Series
----	-------------

③ Port size

02	1/4
----	-----

※ Mounting bolt, valve gasket, etc. are not included.

How to order

KYMF 15 02 - 05
 ① ② ③ ④

① Port type

Nil	Rc(PT) (Standard)
G	G(PF)
C6	Ø6 One-touch fitting

② Model

15	KY15 Series
----	-------------

③ Mounting type

02	Base mounting
----	---------------

④ Station

02	2 Station
03	3 Station
:	:
15	15 Station

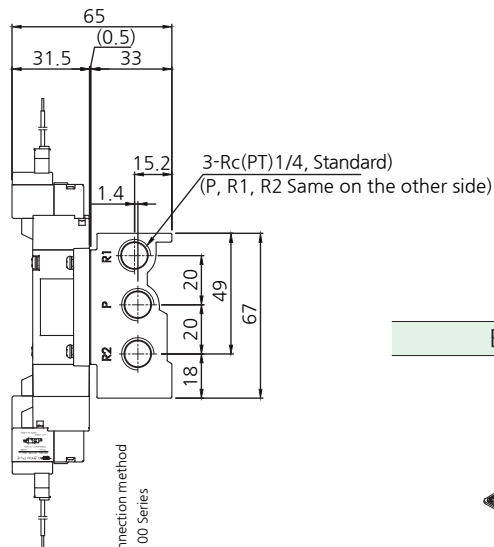
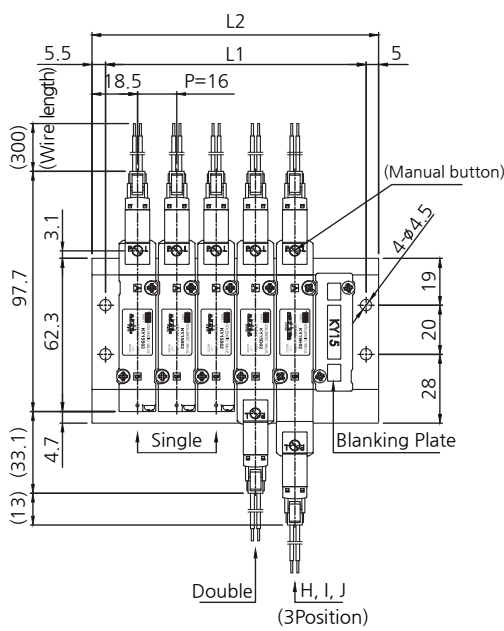
※When ordering a manifold, mounting bolts and port plugs are included.

※When ordering a direct ported manifold, valve mounting screws and gaskets are included in proportion to the number of stations.

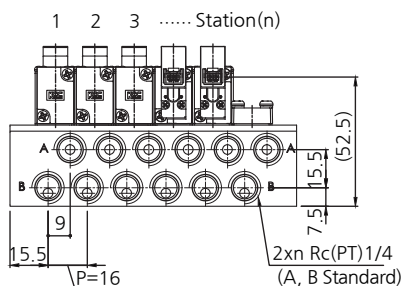
※When ordering a base ported manifold, the valve mounting screw and gasket are not included, so if necessary, order it separately.

Dimensions / KY15(Base mounting type, Manifold)

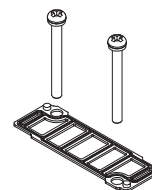
Plug connector



※Caution:
Lead wire connection method
Based on KT100 Series

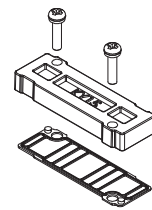


Body gasket



Model : KY1502-BG

Blanking plate



Model : KY15-BP

※The actual shape can vary.

Station(n)	2	3	4	5	6	7	8	9	10	11	12	13	14	15
L1	42	58	74	90	106	122	138	154	170	186	202	218	234	250
L2	52.5	68.5	84.5	100.5	116.5	132.5	148.5	164.5	180.5	196.5	212.5	228.5	244.5	260.5

How to order

KYMF 15 02 - 05

① ② ③ ④

① Port type

Nil	Rc(PT) (Standard)
G	G(PF)
C6	Ø6 One-touch fitting

② Model

15	KY15 Series
----	-------------

③ Mounting type

02	Base mounting
----	---------------

④ Station

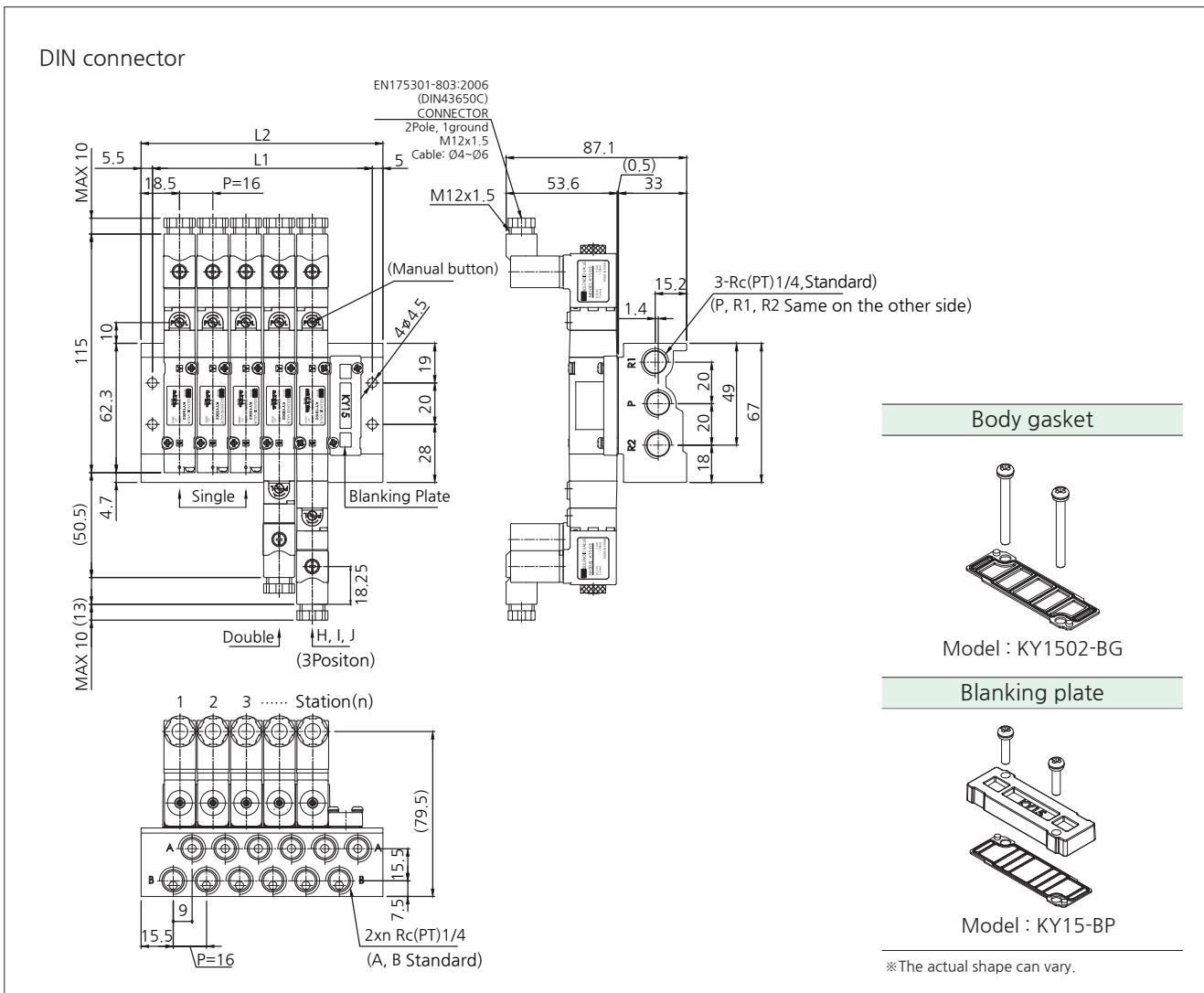
02	2 Station
03	3 Station
:	:
15	15 Station

※When ordering a manifold, mounting bolts and port plugs are included.

※When ordering a direct ported manifold, valve mounting screws and gaskets are included in proportion to the number of stations.

※When ordering a base ported manifold, the valve mounting screw and gasket are not included, so if necessary, order it separately.

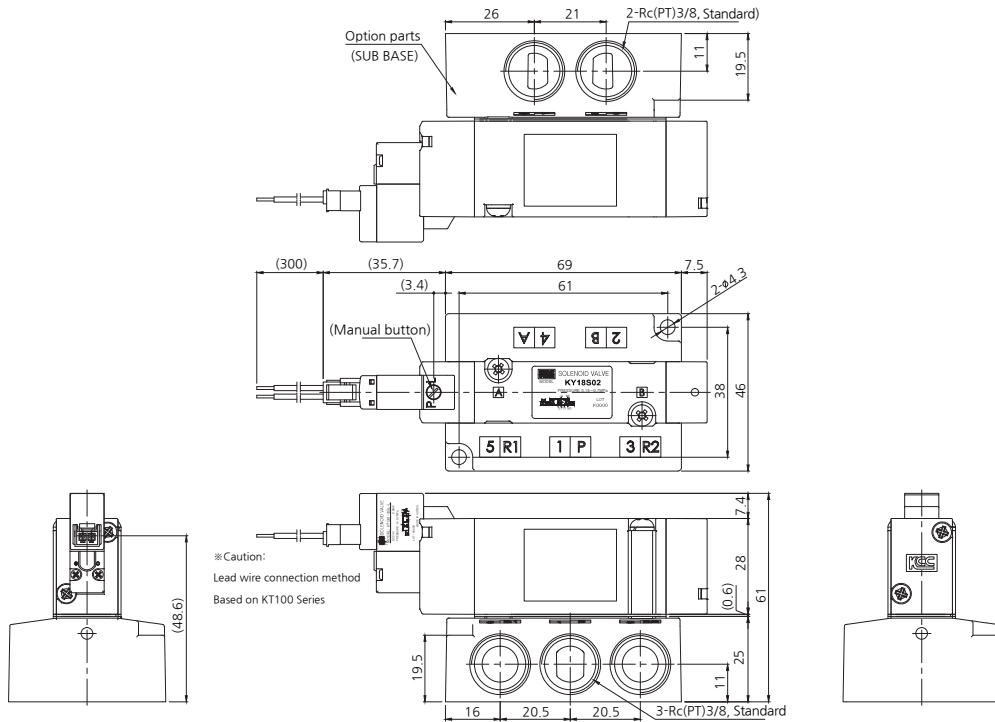
Dimensions / KY15(Base mounting type, Manifold)



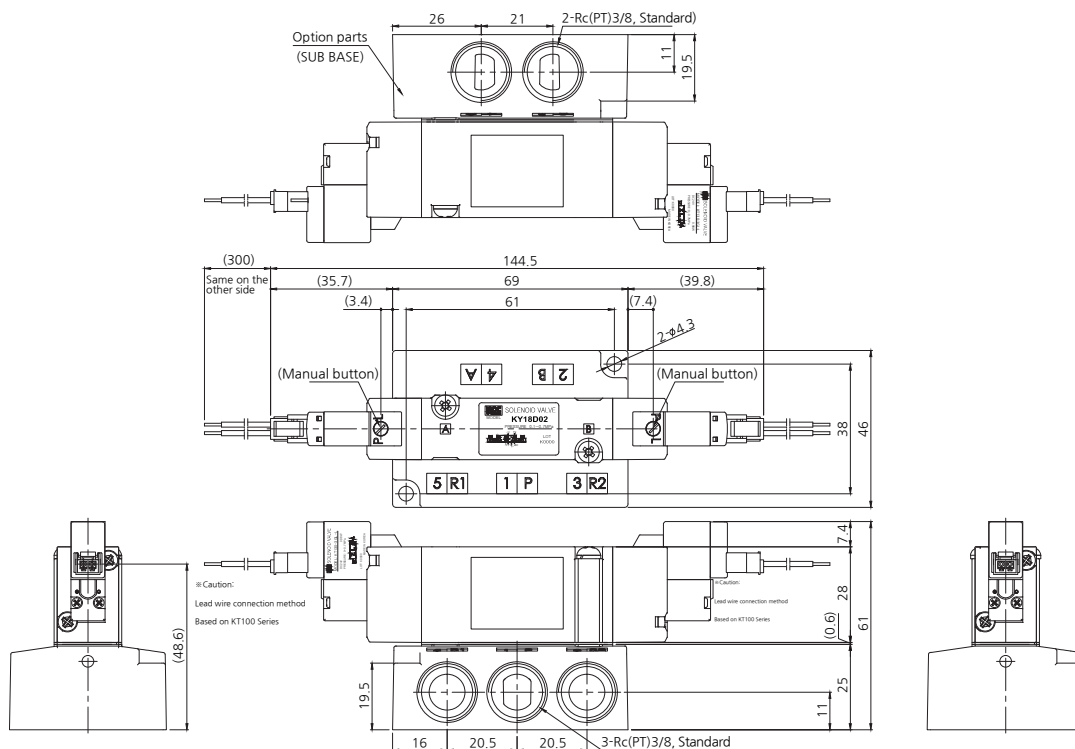
Station(n)	2	3	4	5	6	7	8	9	10	11	12	13	14	15
L1	42	58	74	90	106	122	138	154	170	186	202	218	234	250
L2	52.5	68.5	84.5	100.5	116.5	132.5	148.5	164.5	180.5	196.5	212.5	228.5	244.5	260.5

Dimensions / KY18(Base mounting type)

Single (KY18S02) - Plug connector

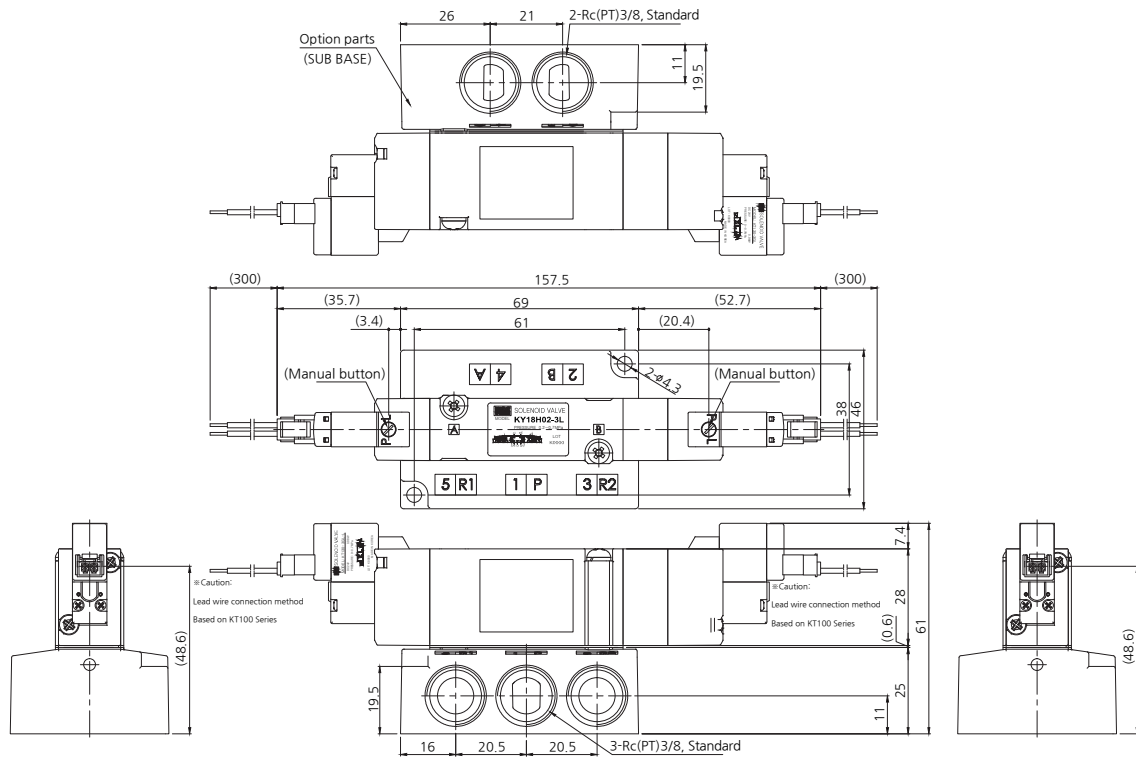


Double (KY18D02) - Plug connector



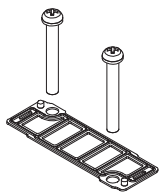
Dimensions / KY18(Base mounting type)

3Position (KY18H/I/J02) - Plug connector



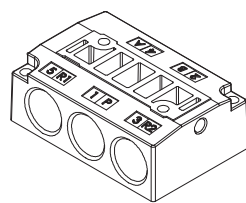
Option parts / KY18(Base mounting type)

Body gasket



Model : KY1802-BG

KY18(Base mounting) Sub base



KY 18 - SB -

① ② ③

① Port type

Nil	Rc(PT) (Standard)
G	G(PF)

② Model

18	KY18 Series
----	-------------

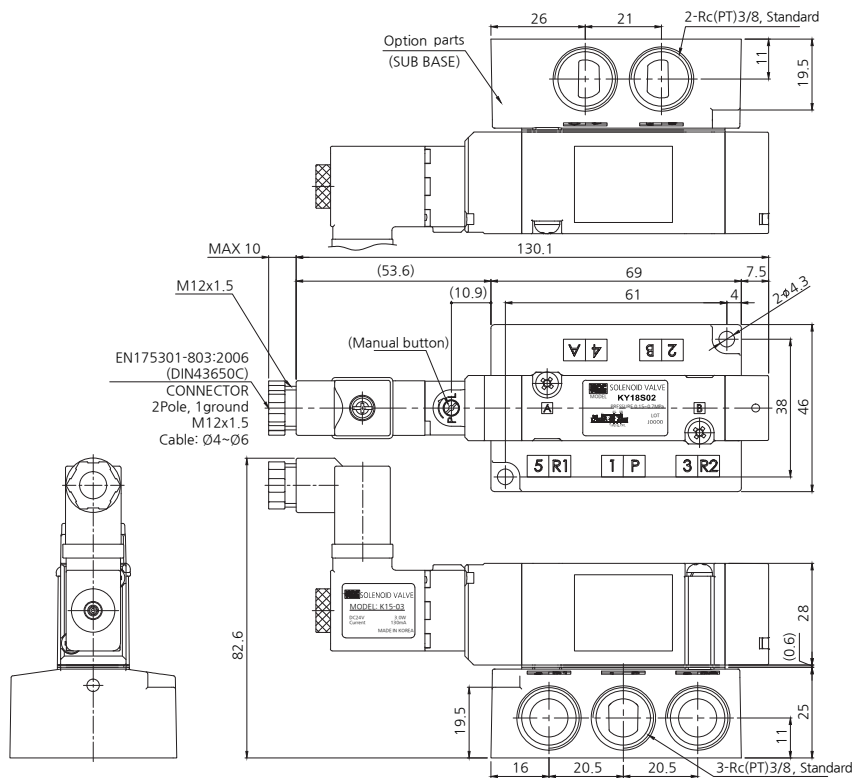
③ Port size

02	1/4
03	3/8

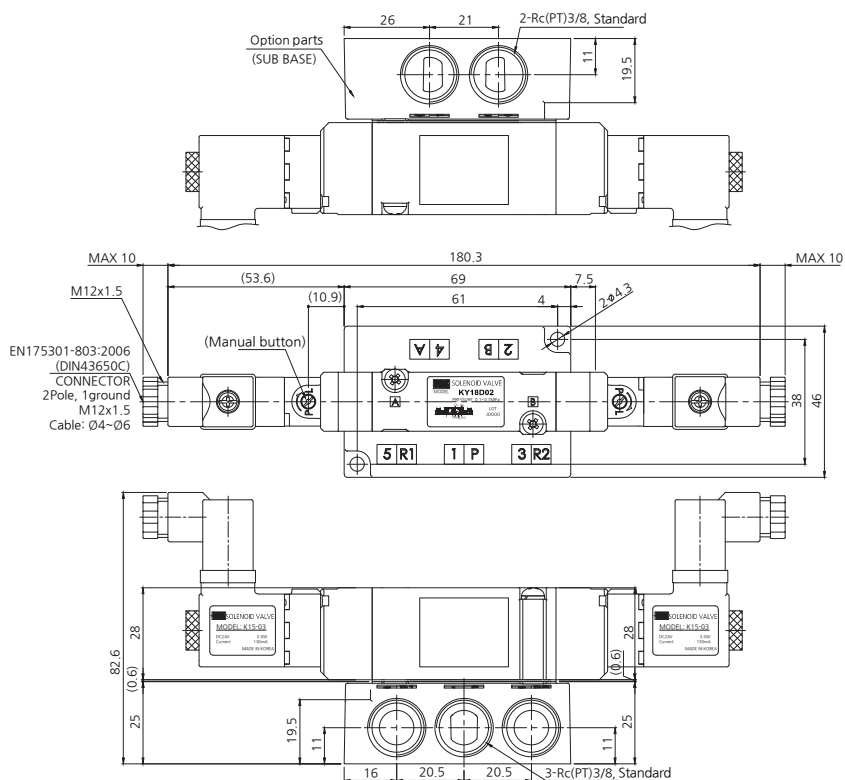
※ Mounting bolt, valve gasket, etc. are not included.

Dimensions / KY18(Base mounting type)

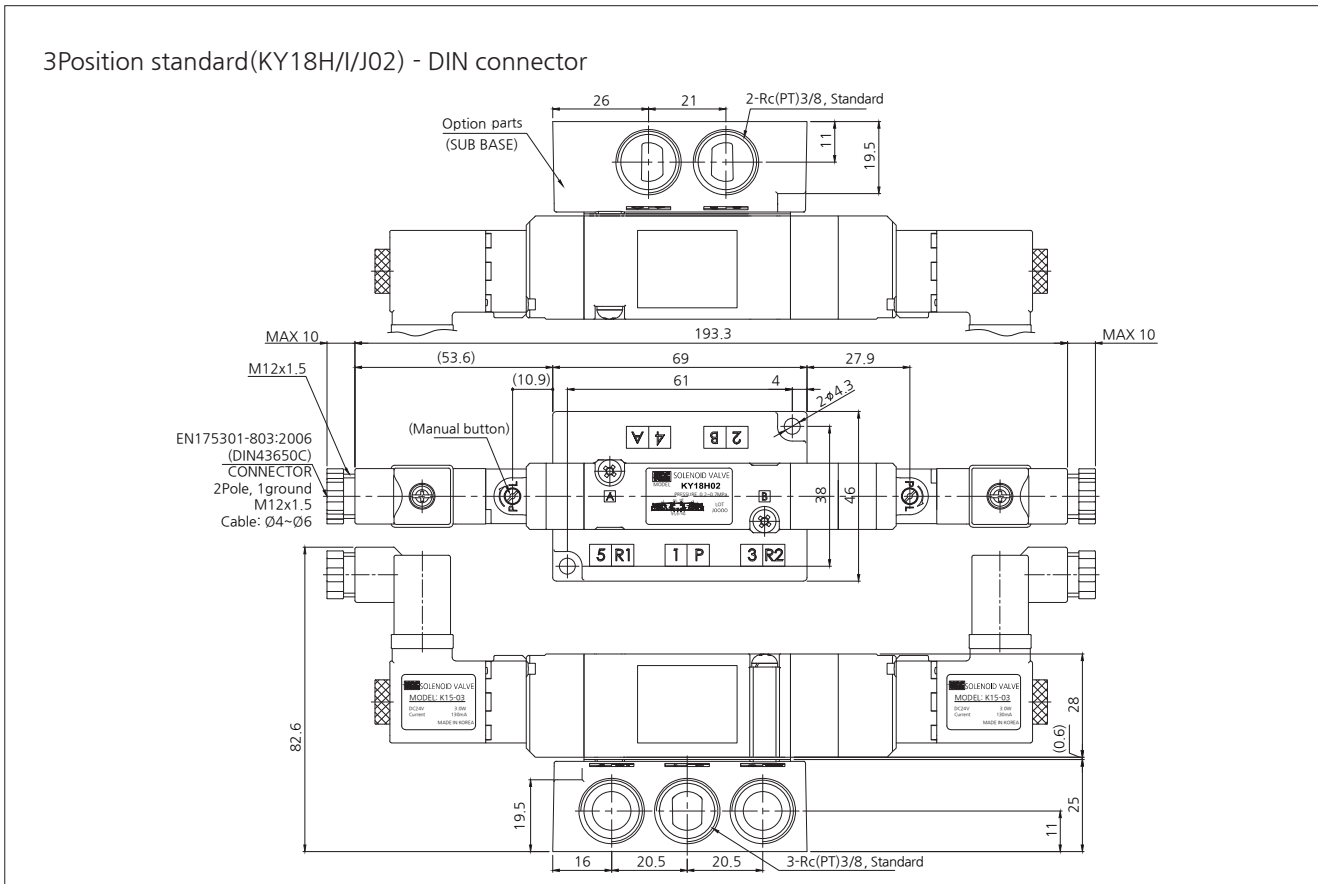
Single (KY18S02) - DIN connector



Double (KY18D02) - DIN connector

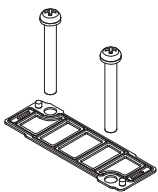


Dimensions / KY18(Base mounting type)



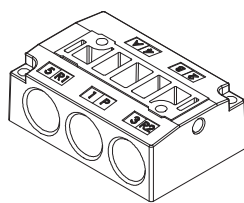
Option parts / KY18(Base mounting type)

Body gasket



Model : KY1802-BG

KY18(Base mounting) Sub base



KY 18 - SB -

① ② ③

① Port type

Nil	Rc(PT) (Standard)
G	G(PF)

② Model

18	KY18 Series
----	-------------

③ Port size

02	1/4
03	3/8

※ Mounting bolt, valve gasket, etc. are not included.

How to order

KYMF 18 02 - 05

① ② ③ ④

① Port type

Nil	Rc(PT) (Standard)
G	G(PF)
C8	Ø8 One-touch fitting

② Model

18	KY18 Series
----	-------------

③ Mounting type

02	Base mounting
----	---------------

④ Station

02	2 Station
03	3 Station
:	:
15	15 Station

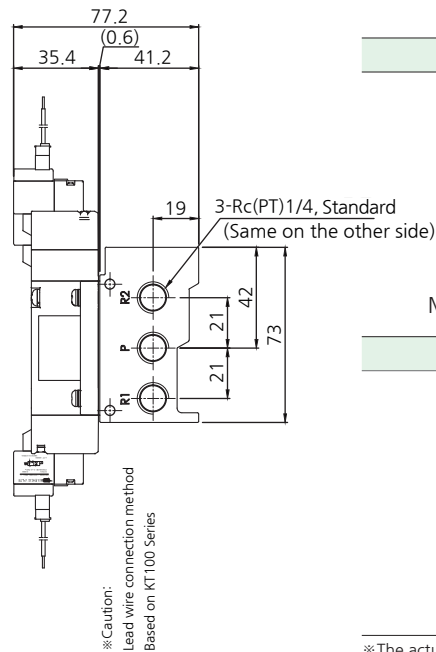
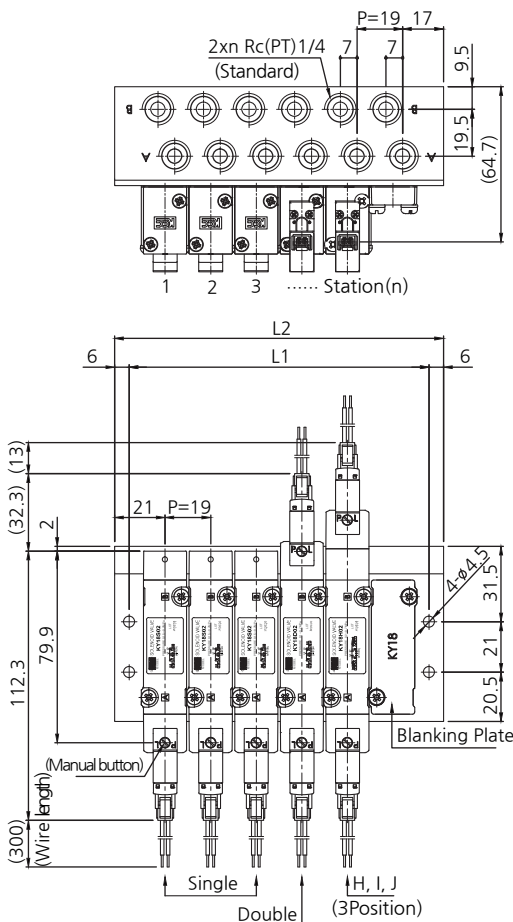
※When ordering a manifold, mounting bolts and port plugs are included.

※When ordering a direct ported manifold, valve mounting screws and gaskets are included in proportion to the number of stations.

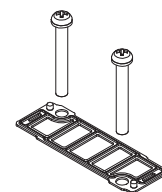
※When ordering a base ported manifold, the valve mounting screw and gasket are not included, so if necessary, order it separately.

Dimensions / KY18(Base mounting type, Manifold)

Plug connector

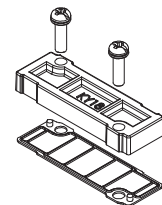


Body gasket



Model : KY1802-BG

Blanking plate



Model : KY18-BP

※The actual shape can vary.

Station(n)	2	3	4	5	6	7	8	9	10	11	12	13	14	15
L1	49	68	87	106	125	144	163	182	201	220	239	258	277	296
L2	61	80	99	118	137	156	175	194	213	232	251	270	289	308

How to order

KYMF 18 02 - 05

① ② ③ ④

① Port type

Nil	Rc(PT) (Standard)
G	G(PF)
C8	Ø8 One-touch fitting

② Model

18	KY18 Series
----	-------------

③ Mounting type

02	Base mounting
----	---------------

④ Station

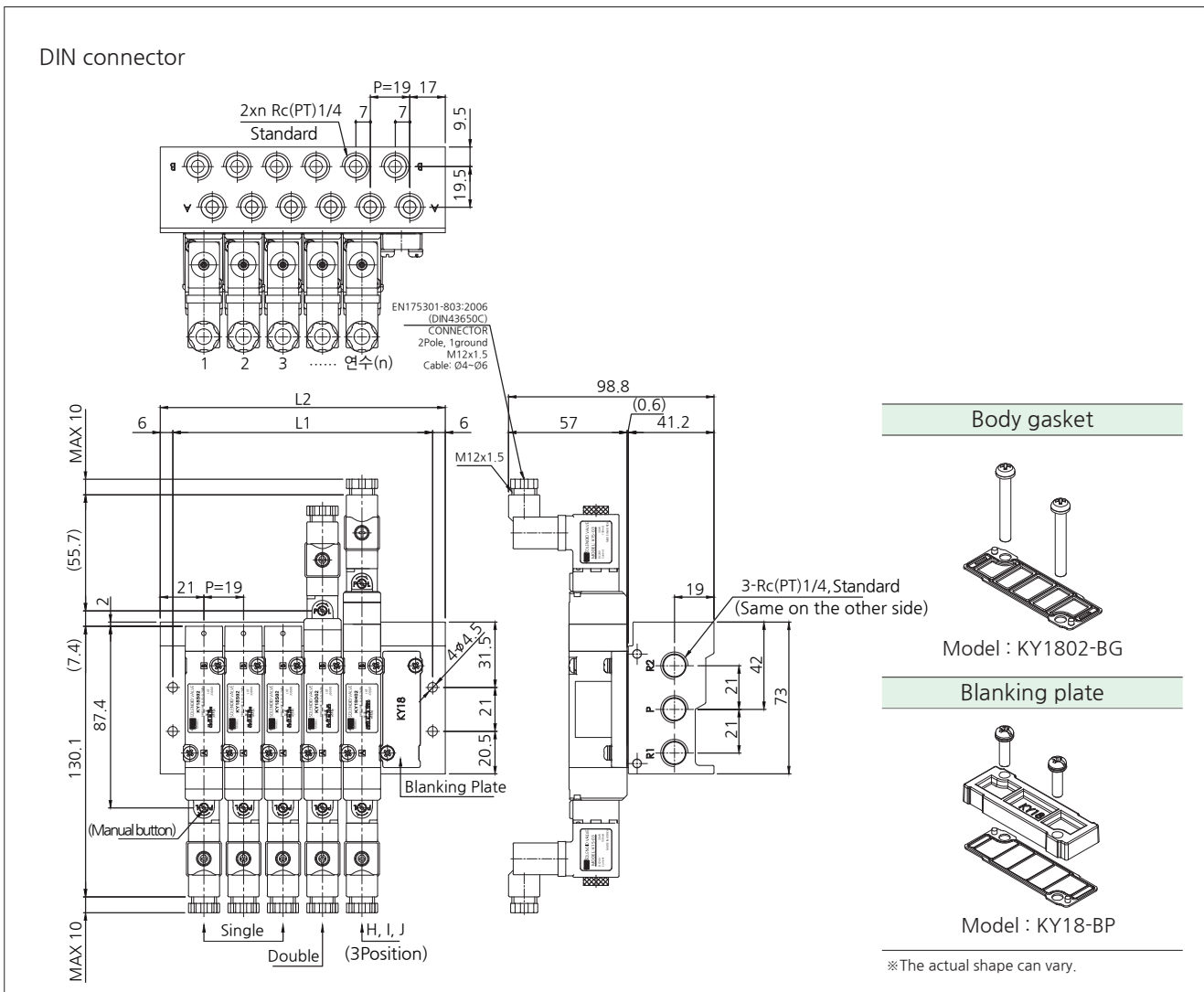
02	2 Station
03	3 Station
:	:
15	15 Station

※When ordering a manifold, mounting bolts and port plugs are included.

※When ordering a direct ported manifold, valve mounting screws and gaskets are included in proportion to the number of stations.

※When ordering a base ported manifold, the valve mounting screw and gasket are not included, so if necessary, order it separately.

Dimensions / KY18(Base mounting type, Manifold)



Station(n)	2	3	4	5	6	7	8	9	10	11	12	13	14	15
L1	49	68	87	106	125	144	163	182	201	220	239	258	277	296
L2	61	80	99	118	137	156	175	194	213	232	251	270	289	308