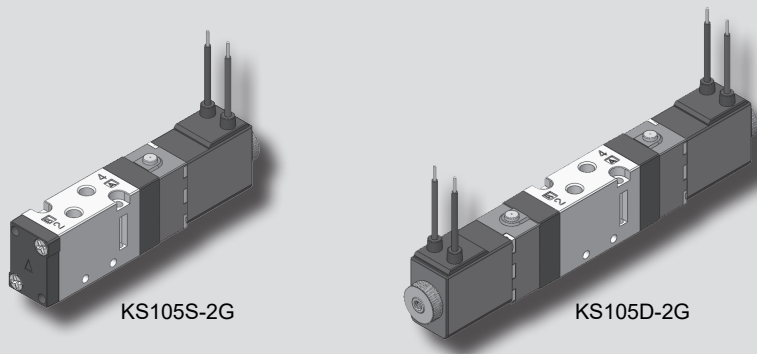


KS105 series



How to Order

KS105 S - 2 G -

① ② ③ ④

① Function

Function	Symbol
S Single acting	
D Double acting	

② Voltage

1	AC 100/110V 50/60Hz
2	AC 200/220V 50/60Hz
3	DC 24V
4	DC 12V

* Custom made with AC24V, AC48V, DC48V, DC100V is available.

③ Electrical connection

GL	Lead wire & lamp
G	Lead wire
D	DIN COIL + DIN connector
Z	DIN COIL + DIN connector with lamp + SURGE KILLER

④ Manual override

Nil	Manual button (Standard)
-----	--------------------------

Specifications

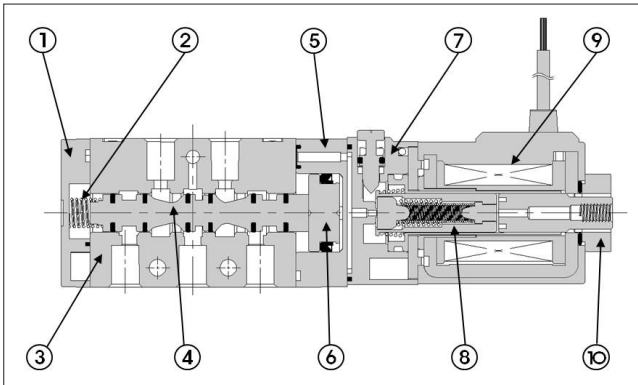
Type	S	D
Fluid	Air, Inert gas	
Port size	M5	
Effective sectional area Smm ² (Cv)	3.6mm ² (0.2)	
Operating pressure	1.5~9kgf/cm ² (0.15~0.9MPa)	
Max. operating frequency	5 cycle/sec	
Response time {at 5kgf/cm ² (0.5MPa)}	≤ 25ms	
Lubrication	Not required	
Manual override	Manual button (Standard), Lock	
Power consumption	DC	2.5W
	AC	3.8/3.3VA (50/60Hz)
Allowable voltage	±10% rated voltage	
Ambient & fluid temperature	5°C ~ 60°C	
Coil insulation	Class F	
Applicable cylinder	Ø2.5~Ø40	
Weight	80g	120g

GL TYPE	G TYPE
Lead wire & lamp	Lead wire
D TYPE	Z TYPE
DIN COIL + DIN connector	DIN COIL + DIN connector with lamp + SURGE KILLER

Features

- Excellent durability with its non-lubricated type.
- Minimized installing area with its small size.
- Perfect for controlling system by PLC or computer with its low consuming current type.

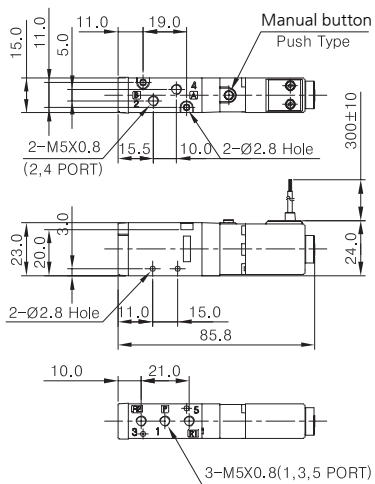
Structure



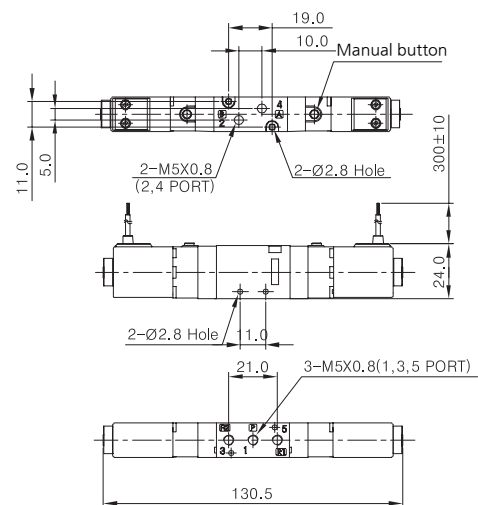
Part no.	Parts	Material
1	Cover	Metal
2	Spool Spring	SUS
3	Body	AL D/C
4	Spool Ass'y	AL & Others
5	Pilot	Plastic Resin
6	Piston	Plastic Resin
7	Seat	Plastic Resin
8	Plunger	Stainless Steel
9	Coil Ass'y	CU & Others
10	Lock Nut	Metal

Dimensions

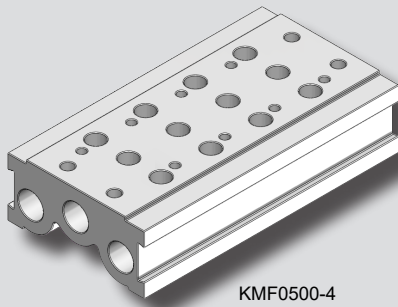
2 Position Single Pilot
KS 105S - O G



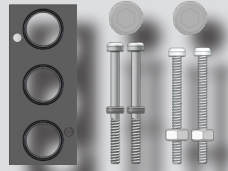
2 Position Double Pilot
KS 105D - O G



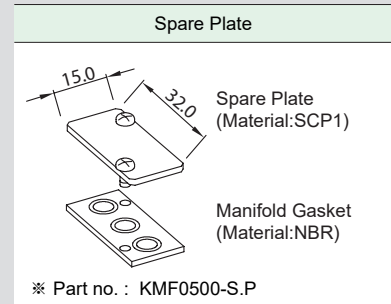
KMF0500 Manifold Block



KMF0500-4



Accessory of manifold block



Spare Plate

Spare Plate
(Material:SCP1)

Manifold Gasket
(Material:NBR)

※ Part no. : KMF0500-S.P

How to Order

KMF0500 - **5**

①

②

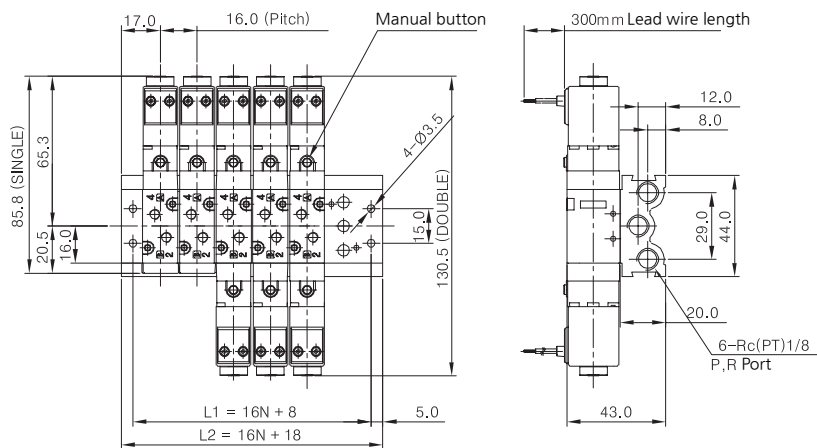
① Series

KMF0500	5 Port manifold block for KS105 series	Rc(PT) (Standard)
KMFG0500		G

② Station

2	2 Stations	5	5 Stations	8	8 Stations
3	3 Stations	6	6 Stations	9	9 Stations
4	4 Stations	7	7 Stations	10	10 Stations

Dimensions



Compatible valve						
KCC	CKD	SMC	SY	TPC	YPC	PARKER
KS105	4KA-110	VZ-3120	SV-51	-	SF1000	-

Station	2	3	4	5	6	7	8	9	10
L1	40	56	72	88	104	120	136	152	168
L2	50	66	82	116	114	130	146	162	178