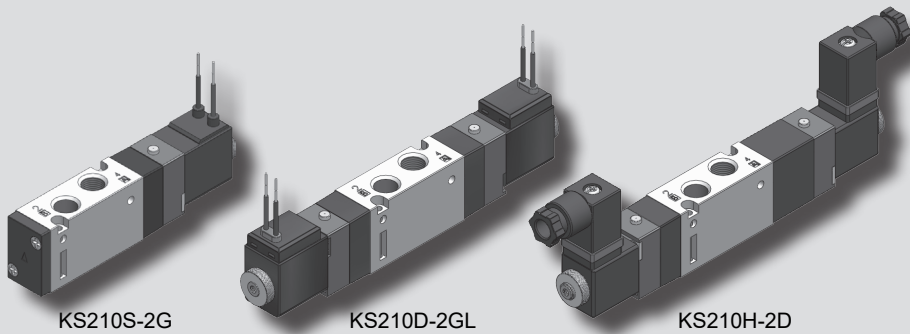


# KS210 series



Certified by KIMM (Korean Institute of Machinery & Materials), This product is approved to maintain the quality and performance from the beginning under being given environmental conditions.

## How to Order



### ① Port type

Nil	Rc(PT) (Standard)
G	G

### ② Function

Function	Symbol
S Single acting	
D Double acting	
H Closed center	
I Pressure center	
J Exhaust center	

### ③ Voltage

1	AC 100/110V 50/60Hz
2	AC 200/220V 50/60Hz
3	DC 24V
4	DC 12V

\* Custom made with AC24V, AC48V, DC48V, DC100V is available.

### ④ Electrical connection

GL	Lead wire & Lamp
GLS	Lead wire & Lamp + Surge killer
G	Lead wire
D	DIN coil + DIN connector
Z	DIN coil + DIN connector with lamp + Surge killer

### ⑤ Manual override

Nil	Manual button (Standard)
L	Lock type

## Specifications

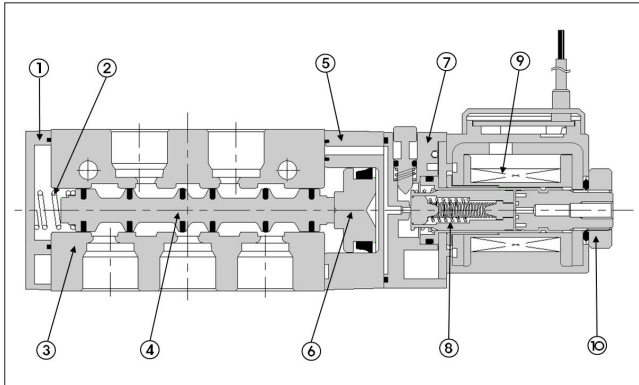
Type	S	D	H / I / J
Fluid	Air, Inert gas		
Port size	Rc(PT) 1/8, G 1/8		
Effective sectional area Smm <sup>2</sup> (Cv)	12.6mm <sup>2</sup> (0.6)	9.0mm <sup>2</sup> (0.5)	
Operating pressure	1.5~9kgf/cm <sup>2</sup> (0.15~0.9MPa)	2~9kgf/cm <sup>2</sup> (0.2~0.9MPa)	
Max. operating frequency	5 cycle/sec	3 cycle/sec	
Response time {at 5kgf/cm <sup>2</sup> (0.5MPa)}	≤ 25ms	≤ 35ms	
Lubrication	Not required (But, when lubricated Turbine oil ISO VG32 or equivalent)		
Manual override	Manual button (Standard), Lock		
Power consumption	DC	2.5W	
	AC	3.5/3.0VA (50/60Hz)	
Allowable voltage	±10% rated voltage		
Ambient & fluid temperature	5°C ~ 60°C		
Coil insulation	Class F		
Applicable cylinder	Ø12~Ø63		
Weight	130g	180g	200g

GL TYPE	GLS TYPE	G TYPE
Lead wire & lamp	Lead wire & lamp + Surge killer	Lead wire
D TYPE	Z TYPE	L TYPE
DIN coil + DIN connector	DIN coil + DIN connector with lamp + Surge killer	Lock type

## Features

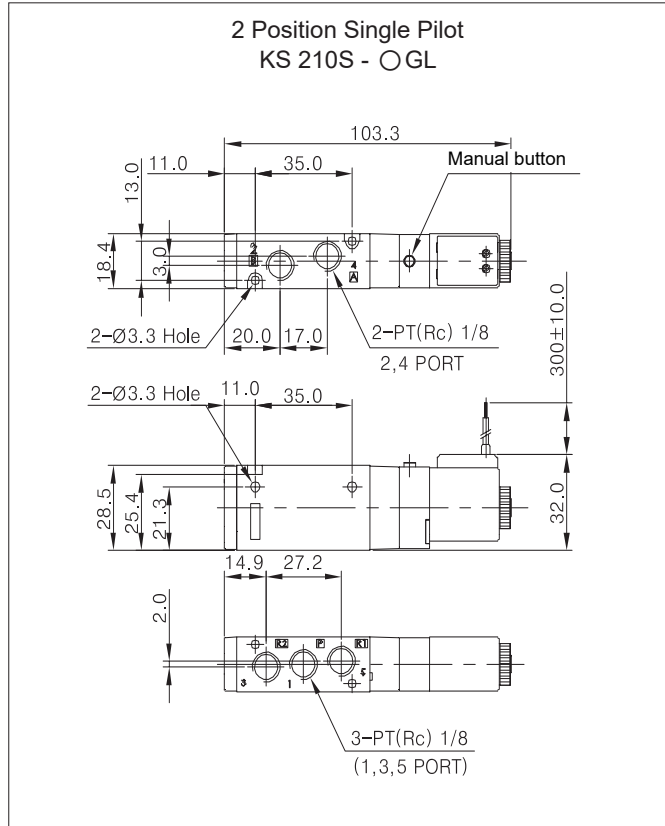
- Excellent durability with its non-lubricated type.
- Minimized installing area with its small size.
- Perfect for controlling system by PLC or computer with its low consuming current type.

**Structure**

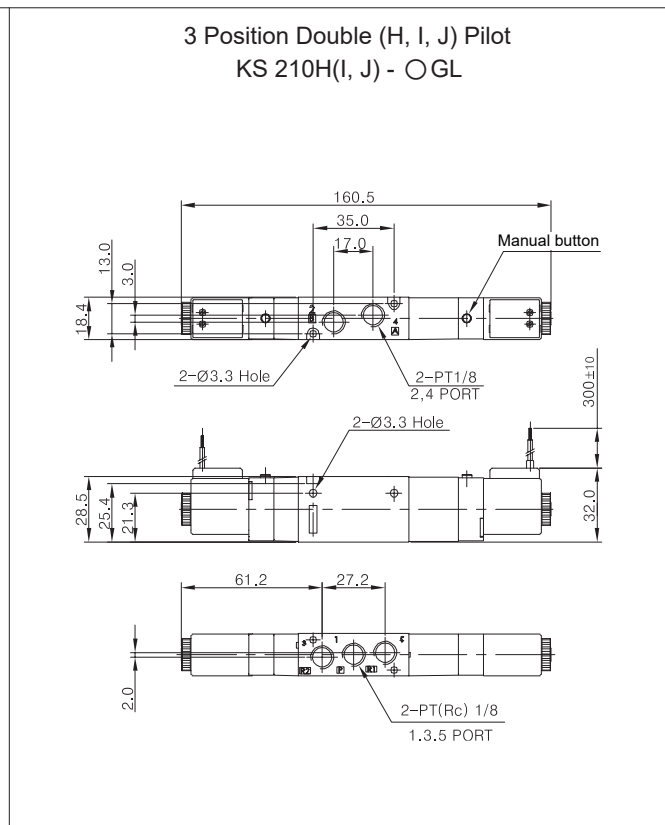
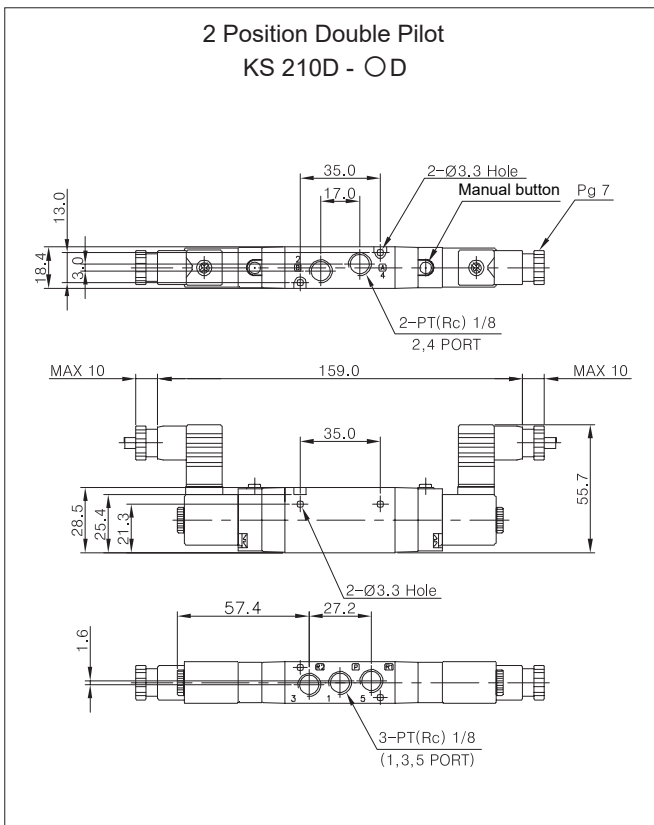


Part no.	Parts	Material
1	Cover	Metal
2	Spool Spring	SUS
3	Body	AL D/C
4	Spool Ass'y	AL & Others
5	Pilot	Plastic Resin
6	Piston	Plastic Resin
7	Seat	Plastic Resin
8	Plunger	Stainless Steel
9	Coil Ass'y	CU & Others
10	Lock Nut	Metal

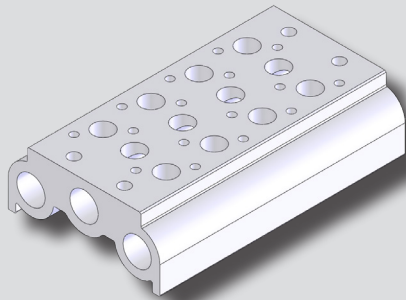
**Dimensions**



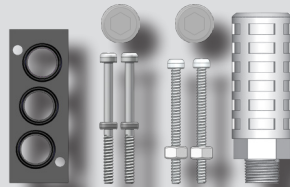
**Dimensions**



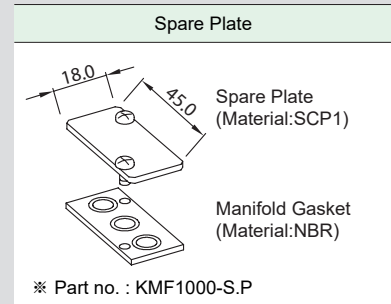
# KMF1000 Manifold Block



KMF1000-5



Accessory of manifold block



## How to Order

KMF1000 - 4

①

②

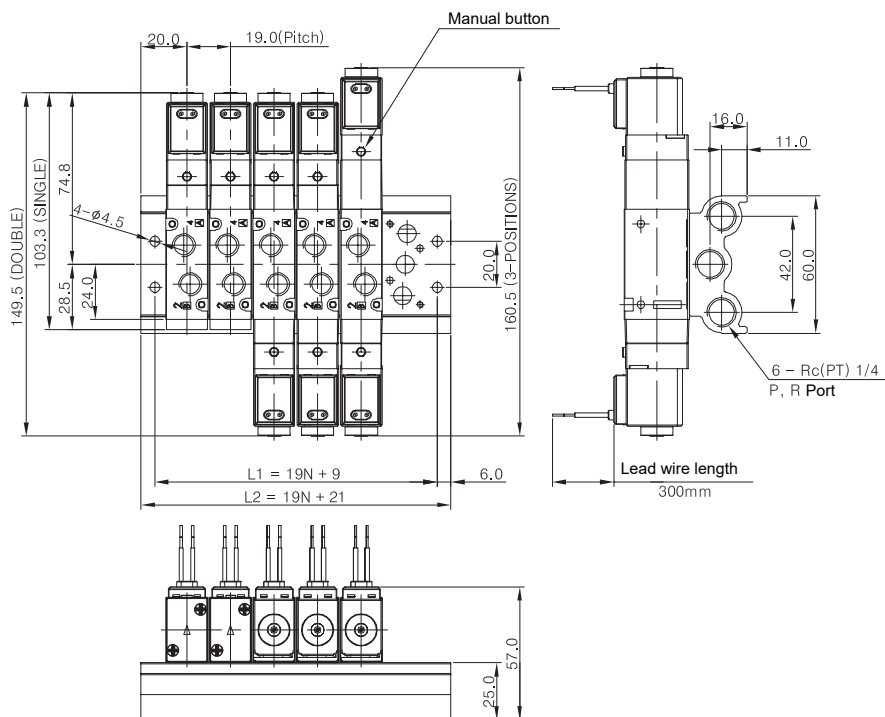
### ① Series

KMF1000	5 Port manifold block for KS210 series	Rc(PT) (Standard)
KMFG1000		G

### ② Station

2	2 Stations	5	5 Stations	8	8 Stations
3	3 Stations	6	6 Stations	9	9 Stations
4	4 Stations	7	7 Stations	10	10 Stations

## Dimensions



Compatible valve							Station	2	3	4	5	6	7	8	9	10
KCC	CKD	SMC	SY	TPC	YPC	PARKER	L1	47	66	85	104	123	142	161	180	199
KS210	4KA-210	VZ-5120	SV-110	DS2010	SF2000	PHS510	L2	59	78	97	116	135	154	173	192	211