

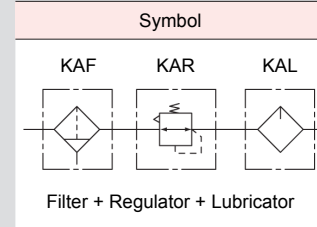
# KAU201~601 series



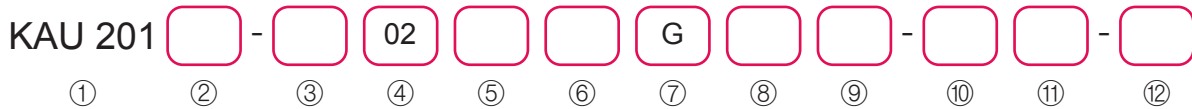
KAU201-02T



KAU401-04G



## How to order



### ① Model

KAU 201	1/8", 1/4"
KAU 301	1/4", 3/8"
KAU 401	3/8", 1/2"
KAU 601	3/4", 1"

### ② Modular

Nil	KAF + KAR + KAL
A	KAW + KAL
B	KAF + KAR
C	KAF + KAFM + KAR
D	KAW + KAFM
E	KAFM + KAFU + KAR
F	KAW + KAFM + KAFU

### ③ Thread type

Nil	Rc(PT)(Standard)
G	G
N	NPT

### ④ Port size

		KAU			
		201	301	401	601
01	1/8	•			
02	1/4	•	•		
03	3/8		•	•	
04	1/2			•	
06	3/4				•
10	1				•

### ⑤ Filtration grade

Nil	5 $\mu$ m(Standard)
2	20 $\mu$ m(OPTION)
4	40 $\mu$ m(OPTION)

### ⑥ Drain

Nil	Manual drain(Standard)
D	Auto drain(N.O)

### ⑦ Gauge

G	Internal gauge (1.0 MPa)
H	Without gauge, port block included
T	External gauge (1.0 / 0.4 / 0.2 MPa)

※ 201Model - only Internal gauge, display unit: MPa

### ⑧ Bowl

Nil	Polycarbonate bowl
M	Metal bowl
L	Nylon bowl

### ⑨ Option

Nil	None(Standard)
S	※ Differential pressure indicator

※ Only mist separator apply

### ⑩ Regulating range

Nil	0.05 ~ 0.85MPa(Standard)
2	0.02 ~ 0.2MPa
4	0.02 ~ 0.4MPa

### ⑪ Relief

Nil	Relief(Standard)
N	Non-relief

### ⑫ Option

Nil	None(Standard)
P	Pressure switch
R	Reverse pressure direction (R>L)
U	Digital pressure gauge with port block
V	3-port manual residual pressure release valve
W	Regulator handle position (top)

## Specifications

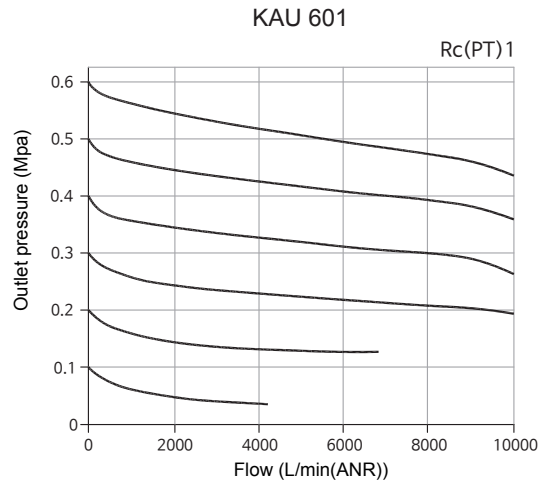
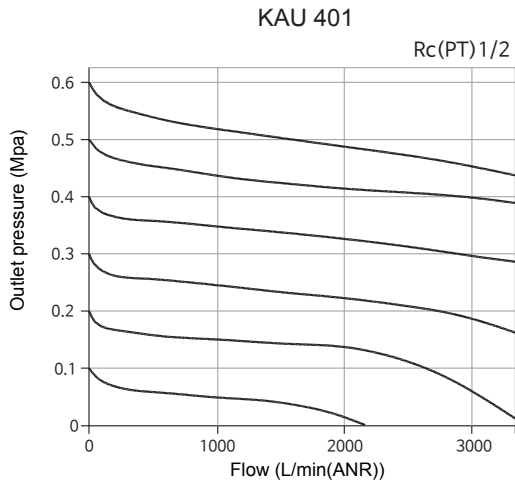
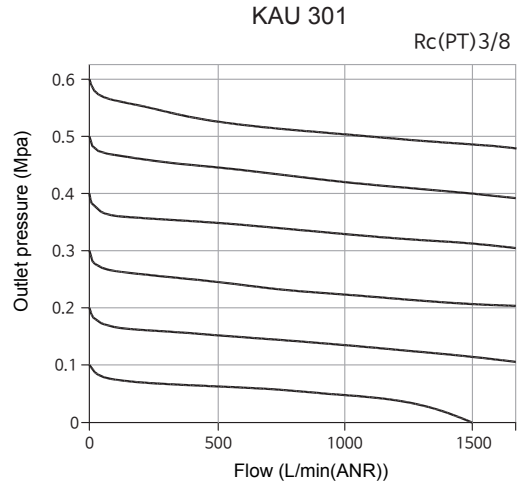
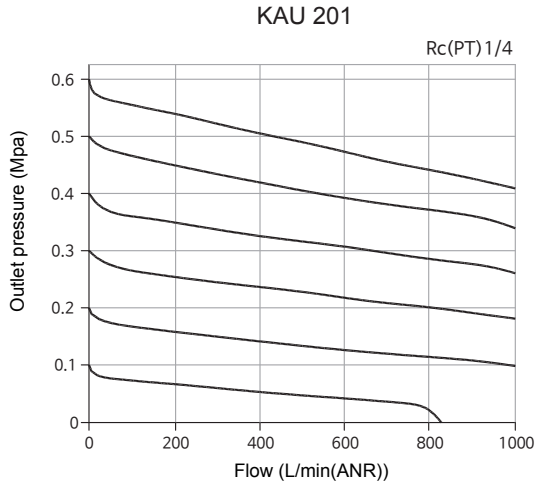
Proof pressure	1.5MPa			
Max. operating pressure	1.0MPa			
Set up pressure range	0.05 ~ 0.85MPa			
Ambient & fluid temperature	-5 ~ 60°C			
Filtration grade	Standard: 5 $\mu$ m, Option: 20, 40 $\mu$ m			
Bowl Material	Polycarbonate / Metal / Transparent nylon			
Structure	Relief(Standard) / None-Relief			
External gauge connection	KAU201	KAU301	KAU401	KAU601
	Rc(PT) 1/8		Rc(PT) 1/4	
Weight(g)	555	1,170	1,875	5,350

### ⚠ Safety precaution

- Avoid using polycarbonated case in the environment with or exposed to chemical such as thinner, carbon tetrachloride, chloroform, acetic ester, cyclohexane, trichlorethylene, sulfuric acid, lactic and etc.
- For auto drain, the tube connected to the port should have diameter larger than  $\varnothing 4$  and max length 1m. Please avoid upward drainage connection.
- When auto drain is not functioning, manual draining can be done by rotating the manual handle counter-clockwise.
- For manual drain, drainage should be done before the liquid surpass the sight glass.
- Min. operation pressure for auto drain is 0.15MPa.

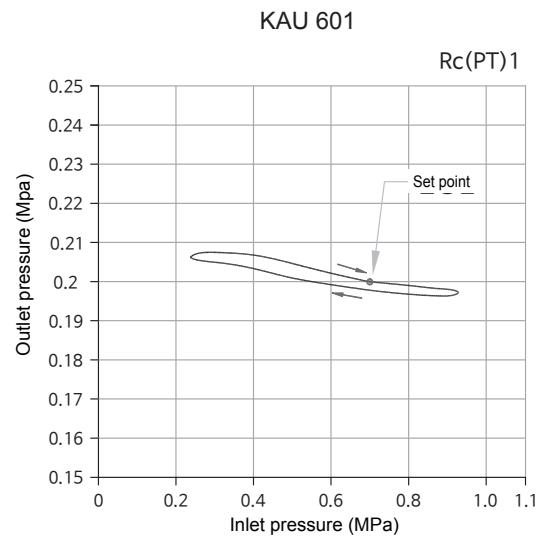
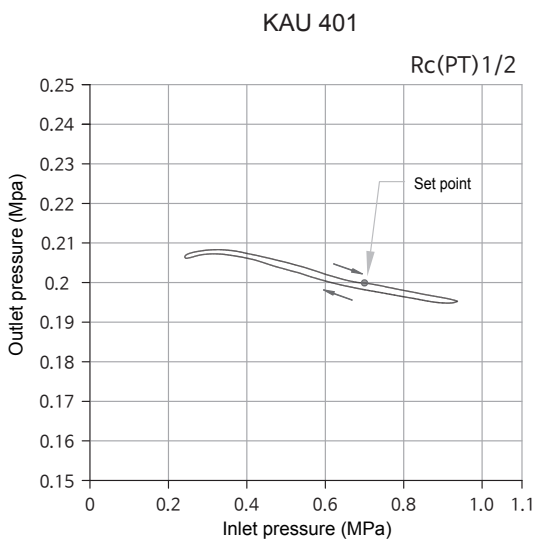
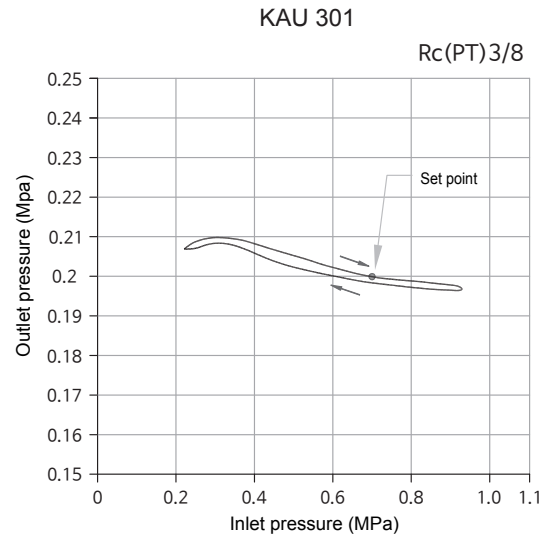
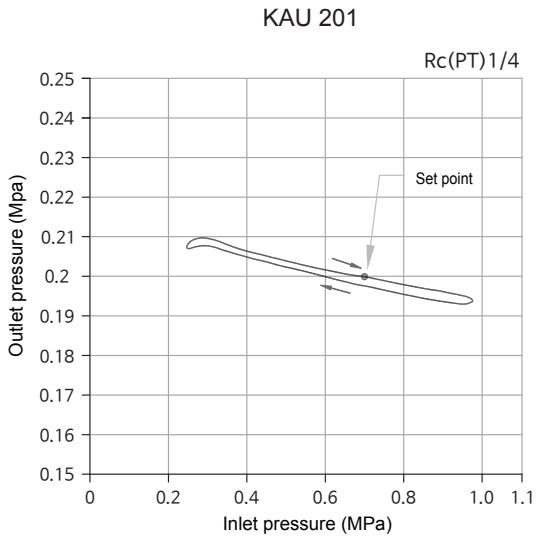
**Flow rate**

Condition: Inlet pressure 0.7Mpa



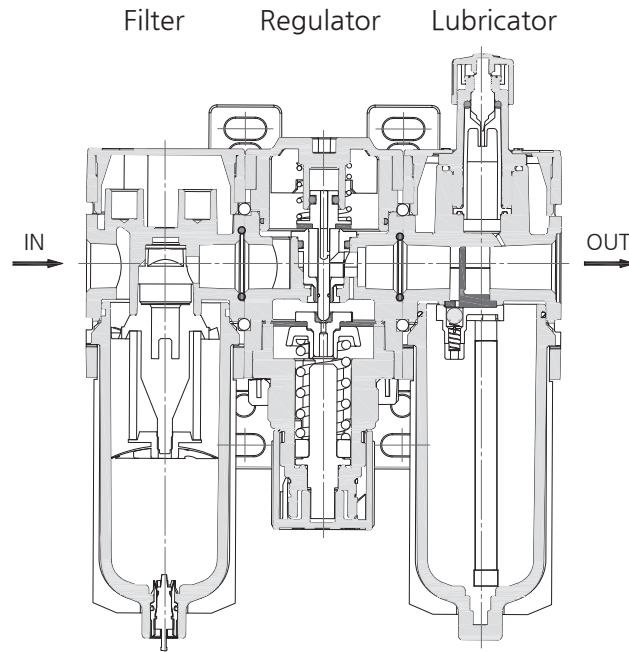
**Flow rate**

Condition: Inlet pressure 0.7Mpa, Outlet pressure 0.2Mpa, Flow rate 20 L/min(ANR)

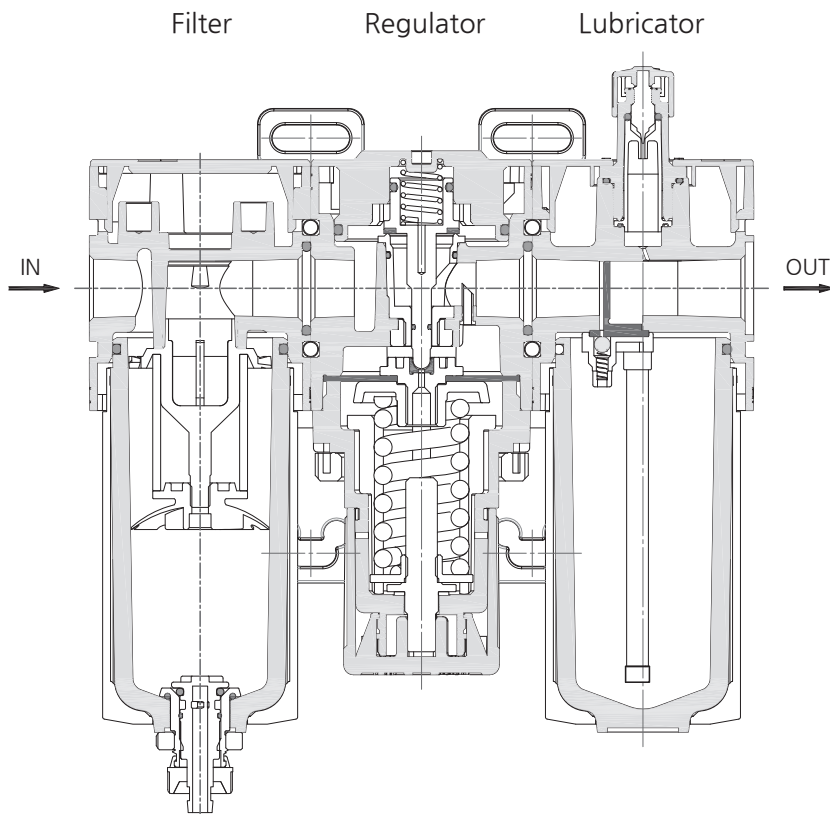


Structure

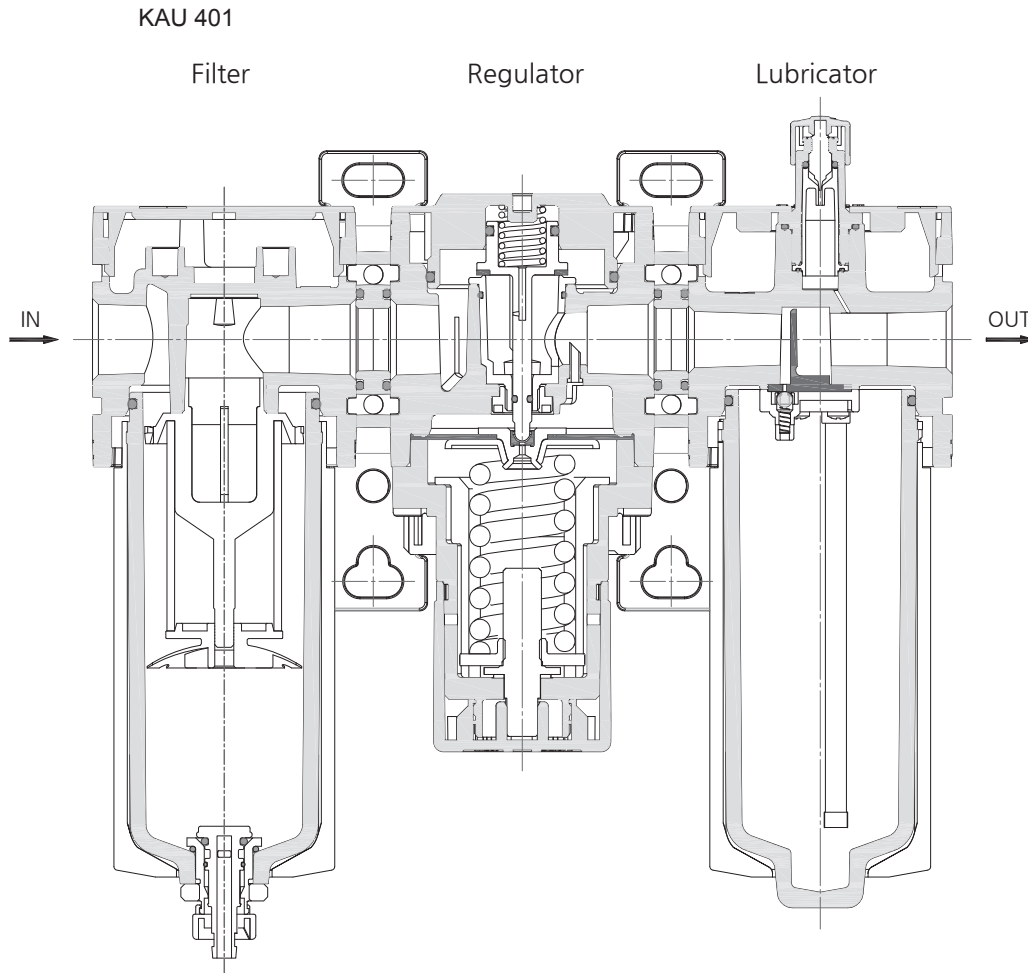
KAU 201



KAU 301



Structure



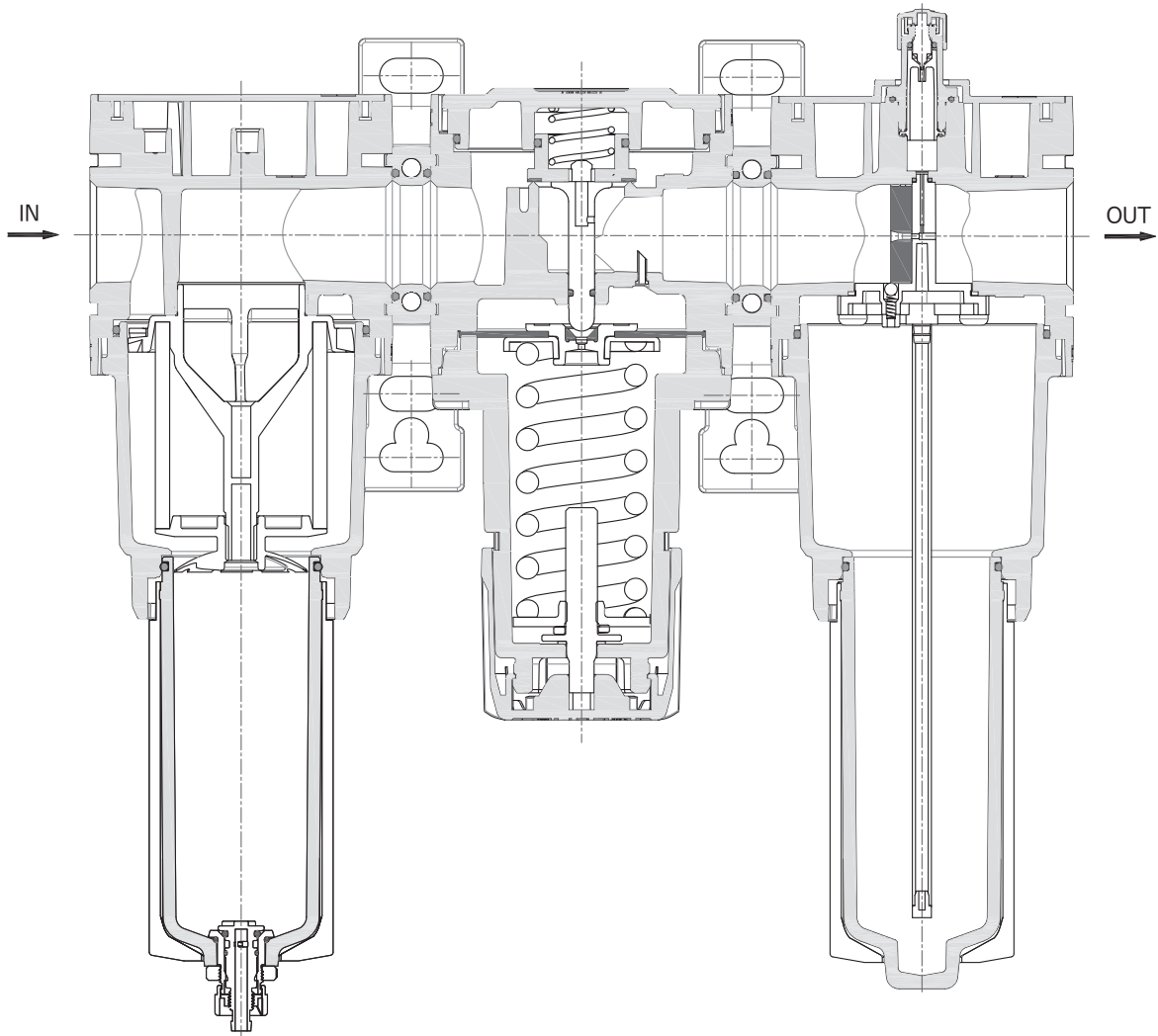
Structure

KAU 601

Filter

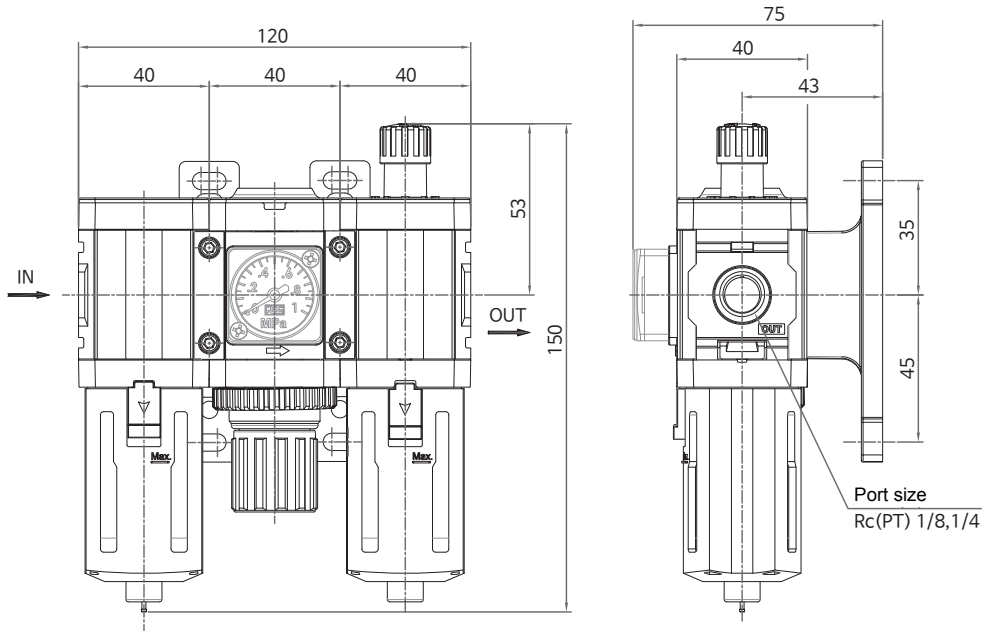
Regulator

Lubricator

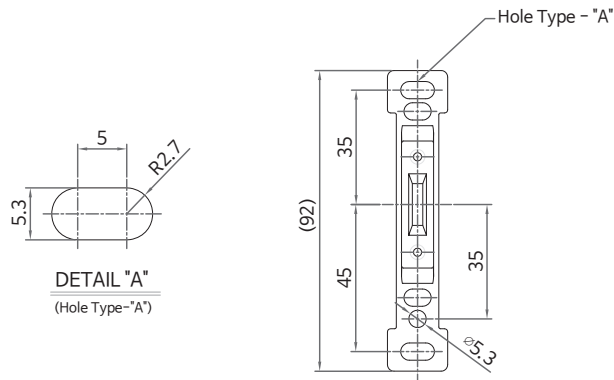


**Dimensions**

KAU 201(Combo type, Filter+Regulator+Lubricator)



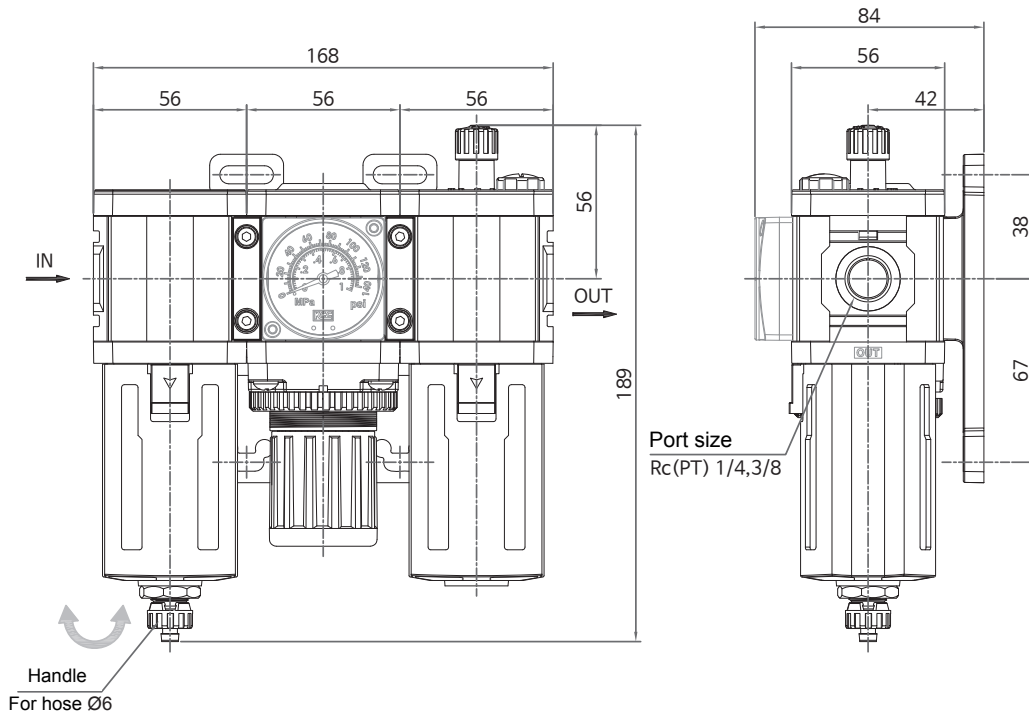
T Bracket (Model : BT201)



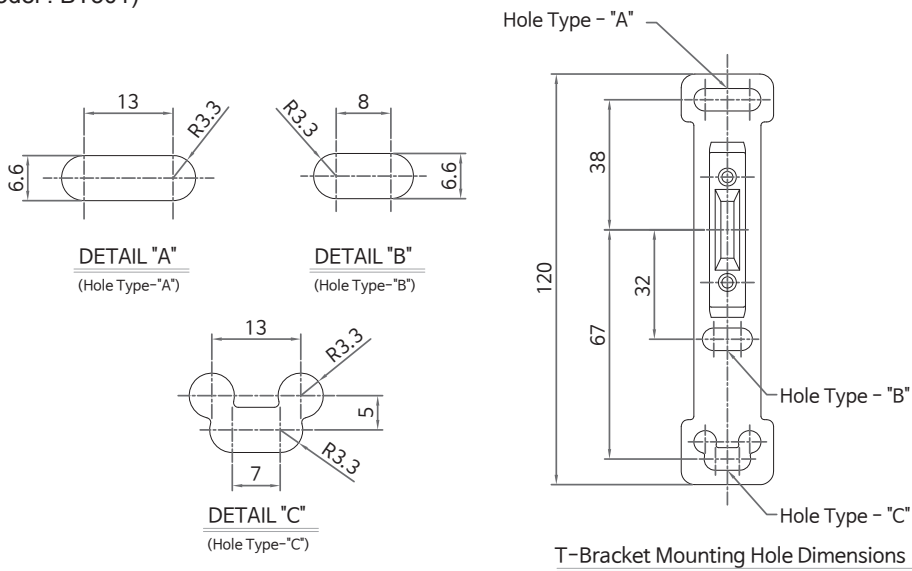
T-Bracket Mounting Hole Dimensions

**Dimensions**

KAU 301(Combo type, Filter+Regulator+Lubricator)



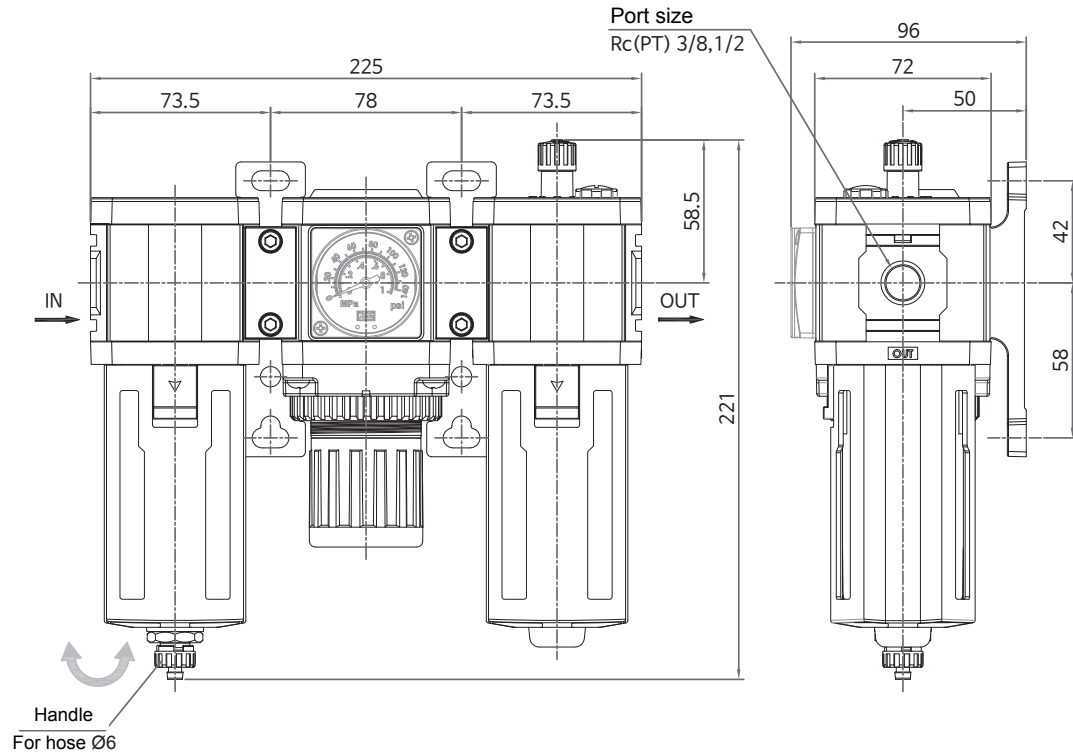
T Bracket (Model : BT301)



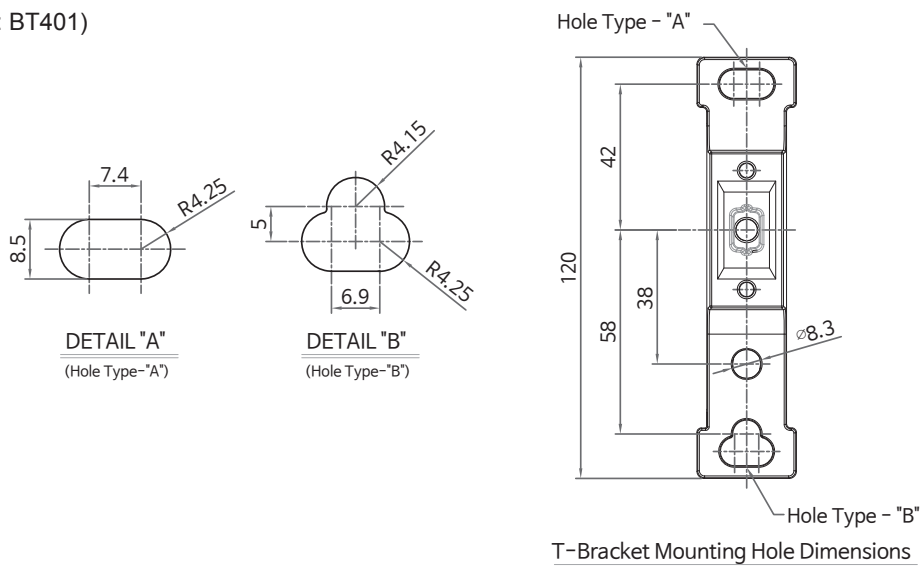


**Dimensions**

KAU 401(Combo type, Filter+Regulator+Lubricator)

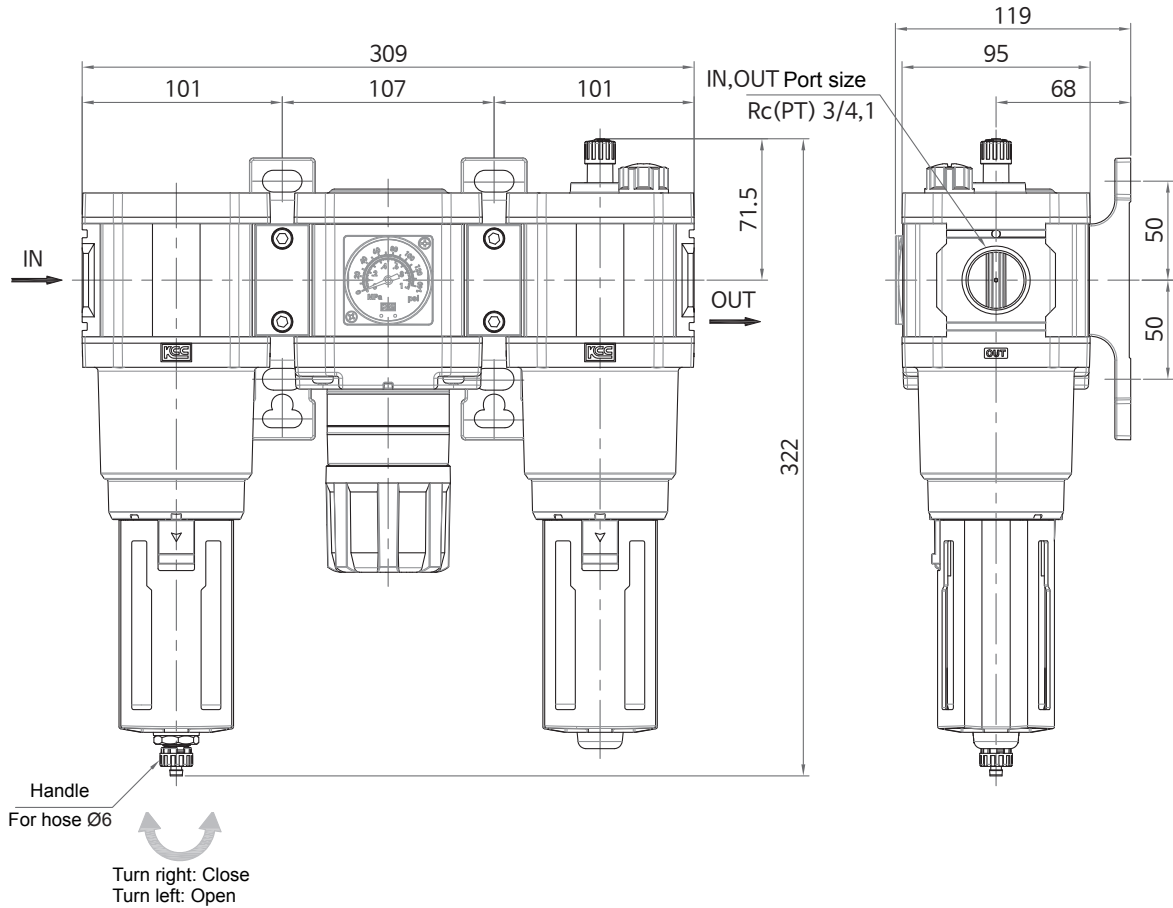


T Bracket (Model : BT401)

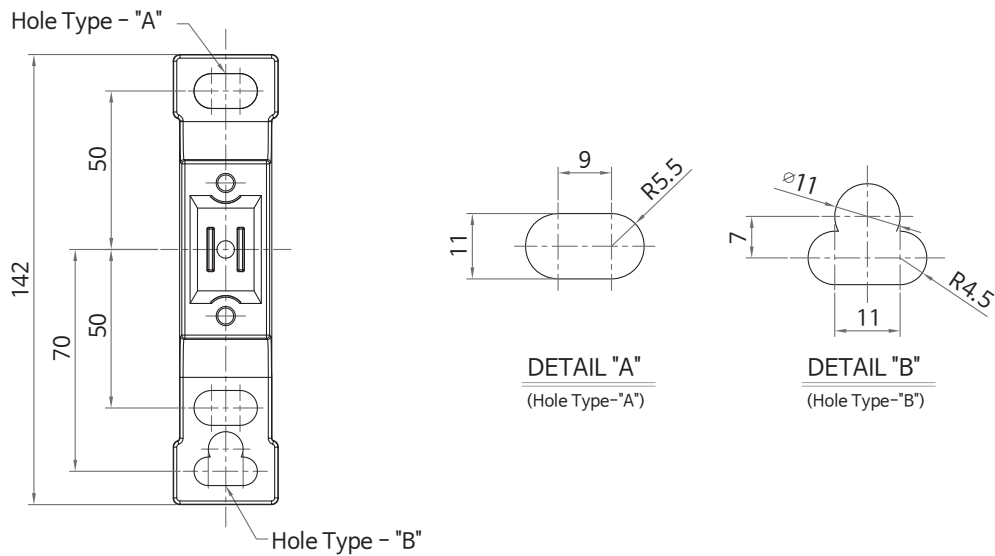


**Dimensions**

KAU 601(Combo type, Filter+Regulator+Lubricator)



T Bracket (Model : BT601)



T-Bracket Mounting Hole Dimensions