

KAFM/KAFU201~401 series



KAFM201-02S

KAFM401-04S

Feature

- Bowl guard is applicable to every model
- Easily mount on wall surface

Symbol	
KAFM /KAFU (Manual drain)	
KAFM /KAFU (Auto drain)	

How to order

KAFM201 - 02 -

① ② ③ ④ ⑤ ⑥ ⑦

① Model

KAFM201	Rc(PT) 1/8", 1/4"	Filtration grade	0.3 μ m
KAFU201			0.01 μ m
KAFM301	Rc(PT) 1/4", 3/8"		0.3 μ m
KAFU301			0.01 μ m
KAFM401	Rc(PT) 3/8", 1/2"	0.3 μ m	
KAFU401		0.01 μ m	

④ Bracket

Nil	None (Standard)
B	"C" bracket

② Thread type

Nil	Rc(PT) (Standard)
G	G
N	NPT

⑤ Drain

Nil	Manual drain
D	Auto drain(N.O)

③ Port size

		KAFM/KAFU		
		201	301	401
01	Rc(PT)1/8"	•		
02	Rc(PT)1/4"	•	•	
03	Rc(PT)3/8"		•	•
04	Rc(PT)1/2"			•

⑥ Option

Nil	None (Standard)
S	Differential pressure indicator

⑦ Bowl

Nil	Polycarbonate bowl
M	Metal bowl
L	Nylon bowl

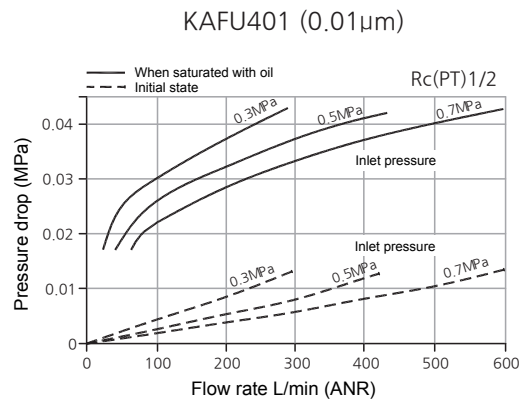
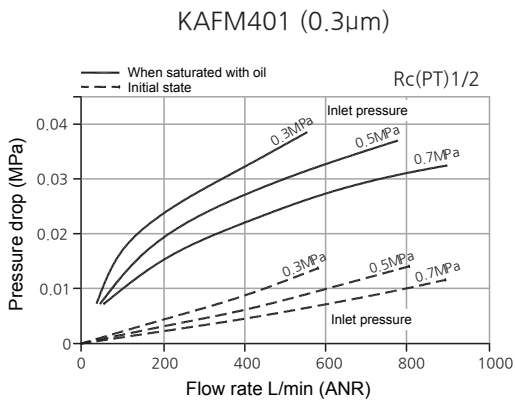
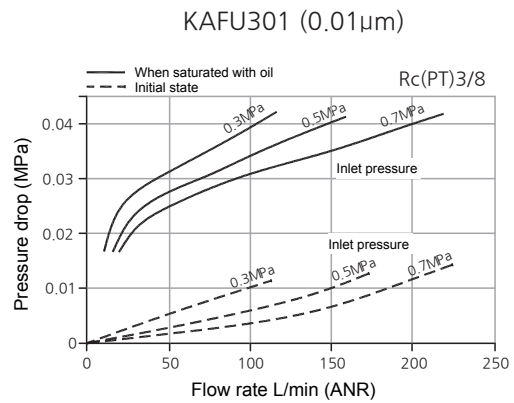
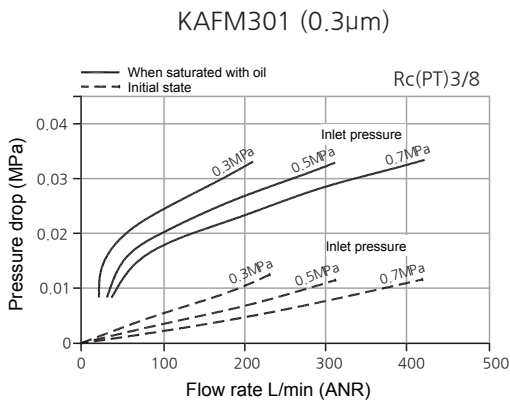
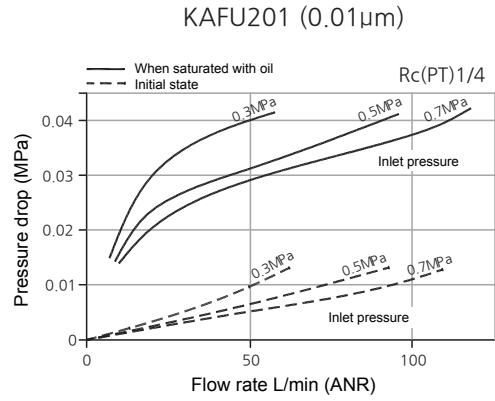
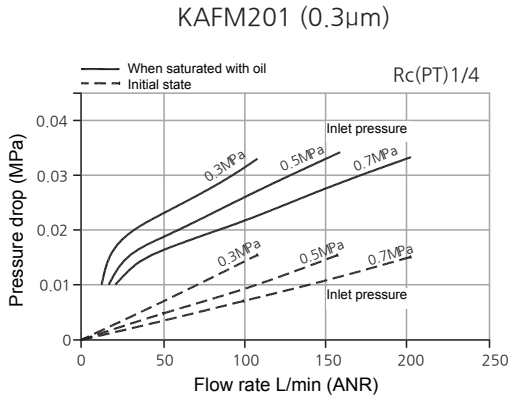
Specifications

Proof pressure	1.5MPa
Max. operating pressure	1.0MPa
Min. operating pressure	0.05MPa
Ambient & fluid temperature	-5 ~ 60°C
Filtration grade	KAFM: 0.3 μ m KAFU: 0.01 μ m
Air purity class at the output	MAX 0.1mg/m ³ (ANR) (when oil saturation is below 0.01mg/m ³ [0.008ppm])
Element life span	Pressure drop reach 0.1MPa
Bowl Material	Polycarbonated / Metal / Transparent Nylon

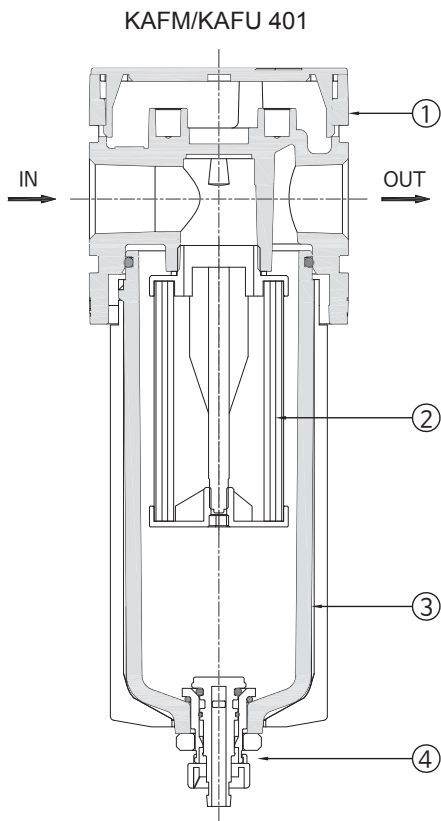
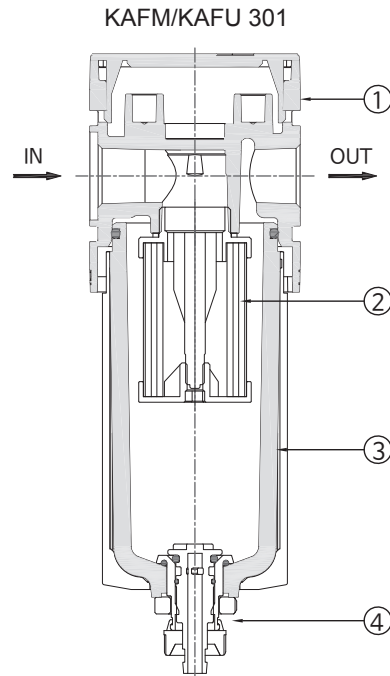
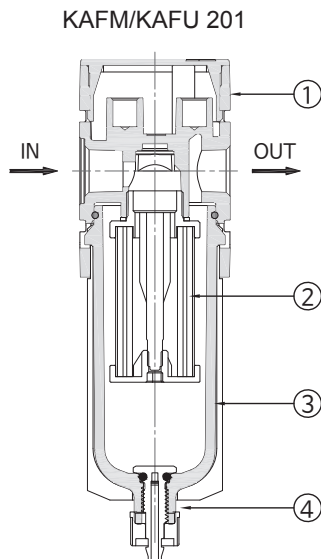
⚠ Safety precaution

- Avoid using polycarbonated case in the environment with or exposed to chemical such as thinner, carbon tetrachloride, chloroform, acetic ester, cyclohexane, trichlorethylene, sulfuric acid, lactic and etc.
- For auto drain, the tube connected to the port should have diameter larger than $\varnothing 4$ and max length 1m. Please avoid upward drainage connection.
- When auto drain is not functioning, manual draining can be done by rotating the manual handle counter-clockwise.
- For manual drain, drainage should be done before the liquid surpass the sight glass
- Min. operation pressure for auto drain is 0.15MPa

Flow rate



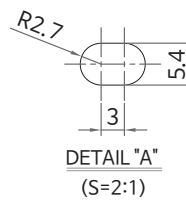
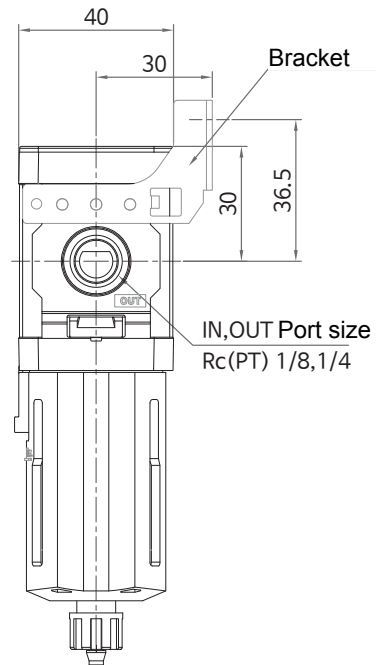
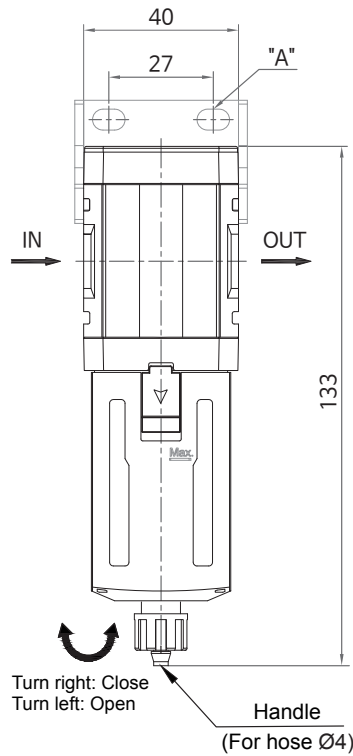
Structure



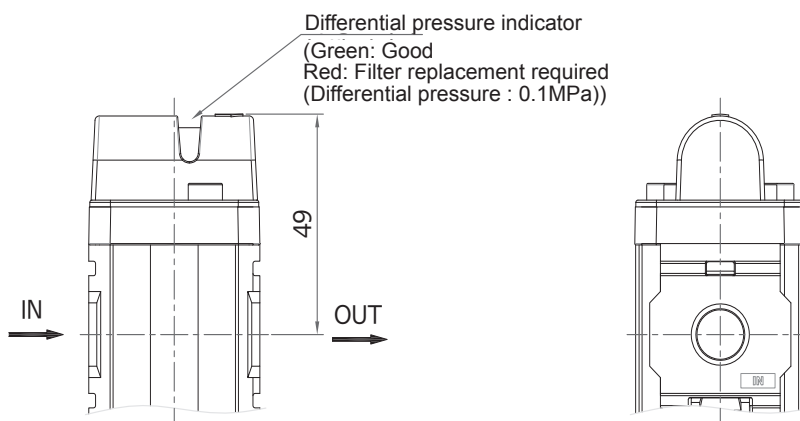
No	Parts	Materials
1	Body	ALDC
2	Coalescing Filter	-
3	Bowl	PC / Nylon / ALDC
4	Manual Drain Ass'y	-

Dimensions

KAFM/KAFU 201 (PC bowl)

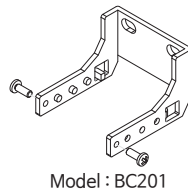
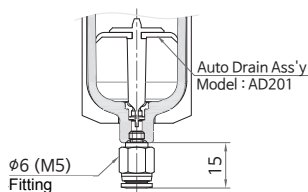


KAFM/KAFU 201 (With Differential pressure indicator)



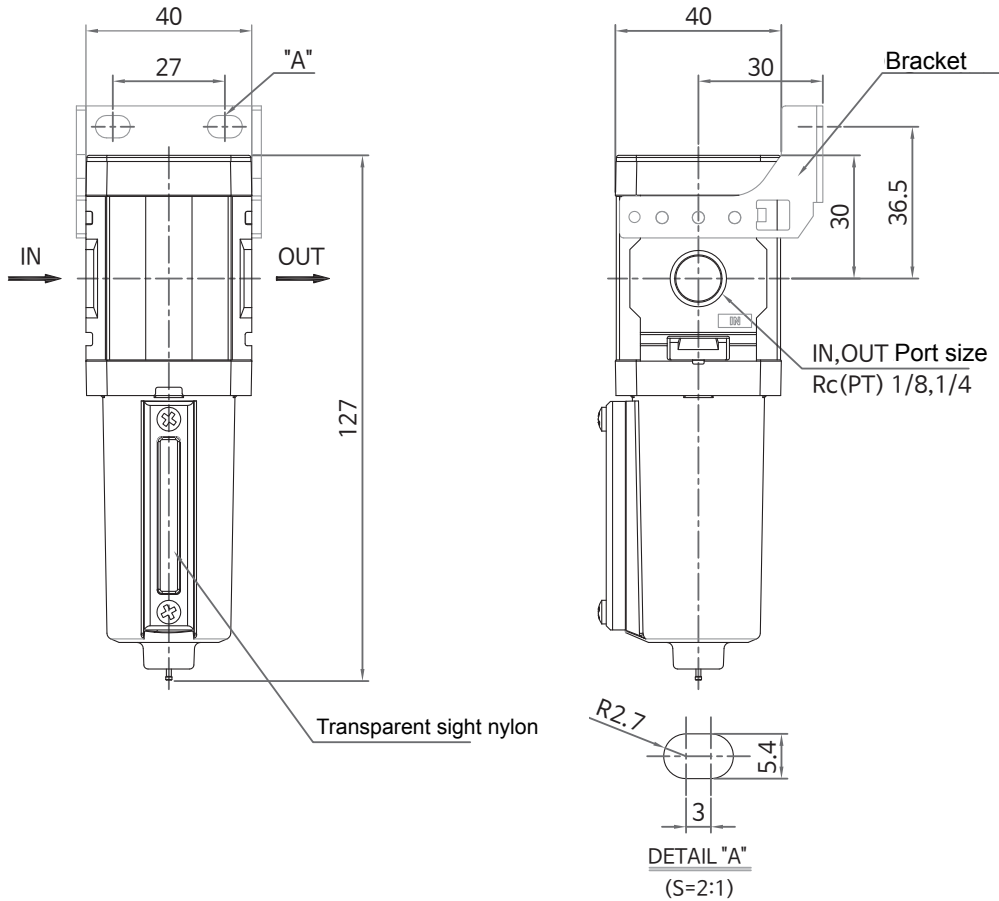
D : Auto drain

B : Bracket

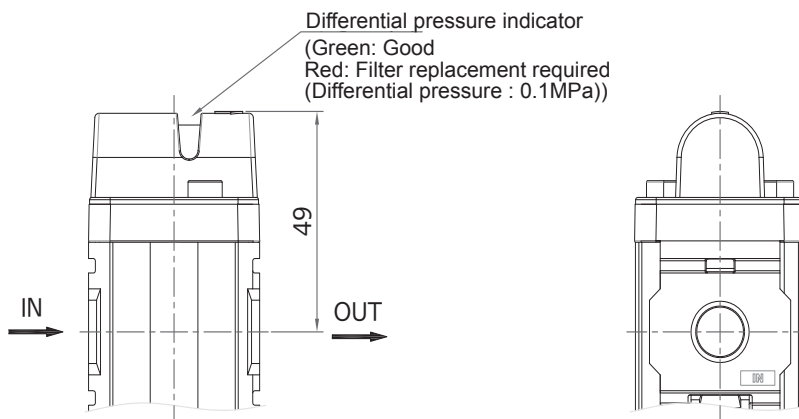


Dimensions

KAFM/KAFU 201(Metal Bowl)

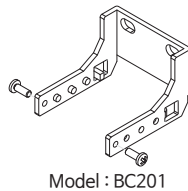
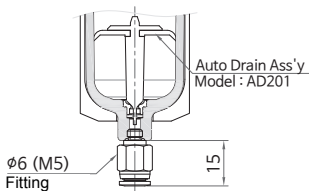


KAFM/KAFU 201(With Differential pressure indicator)

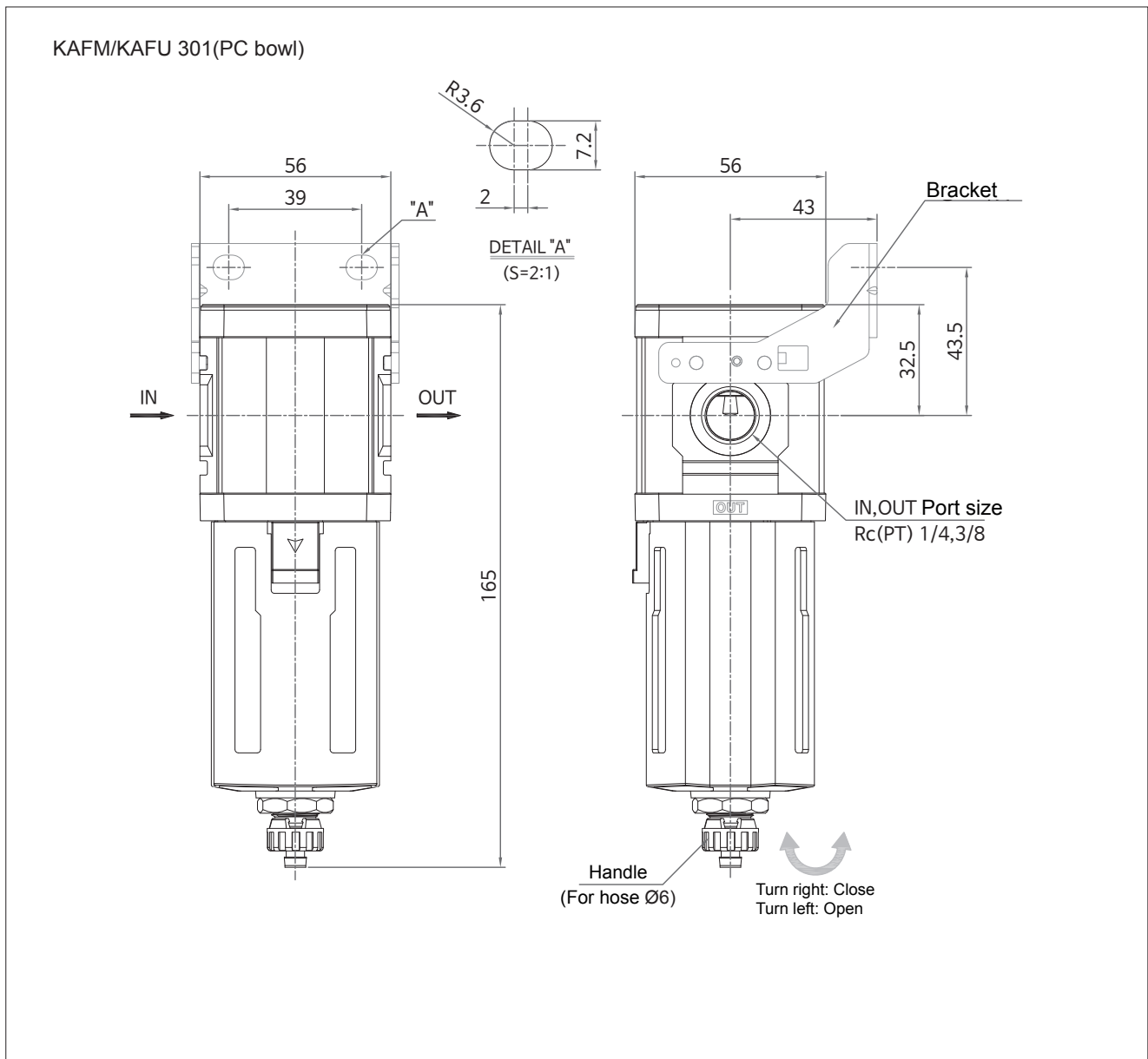


D : Auto drain

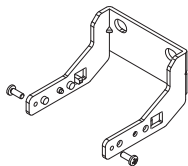
B : Bracket



Dimensions



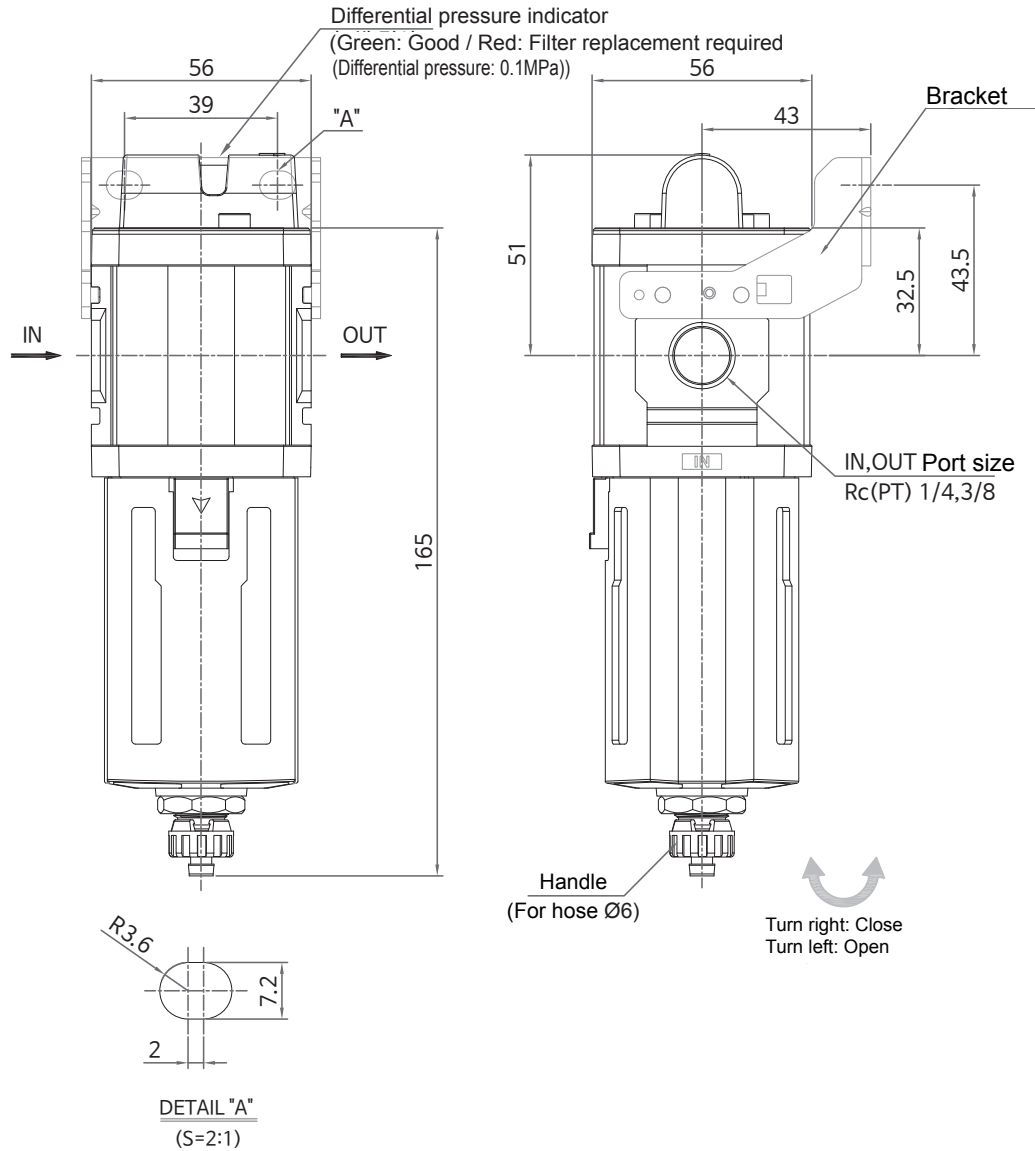
B : Bracket



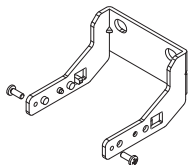
Model : BC301

Dimensions

KAFM/KAFU 301(With Differential pressure indicator)

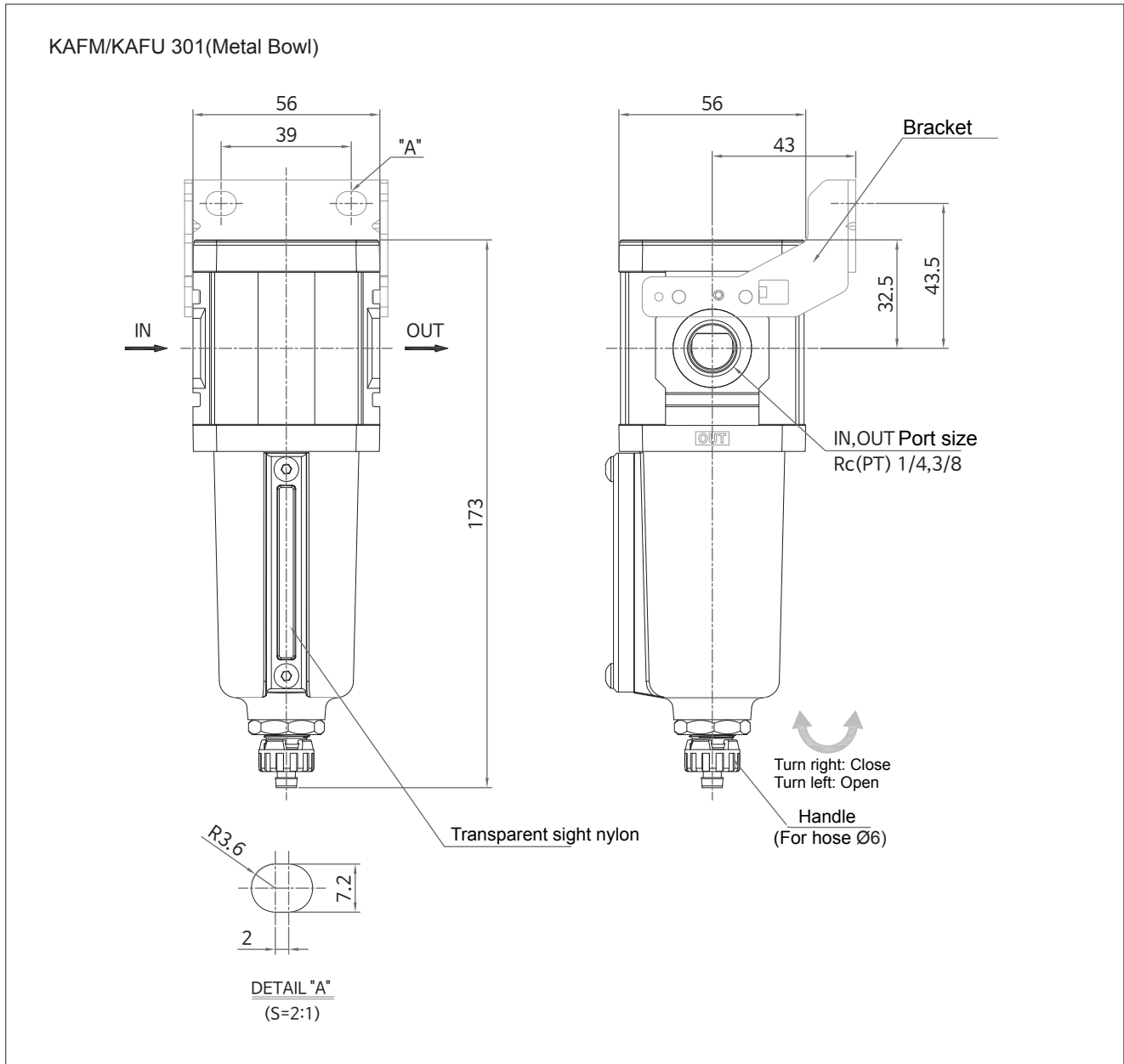


B : Bracket

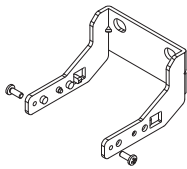


Model : BC301

Dimensions



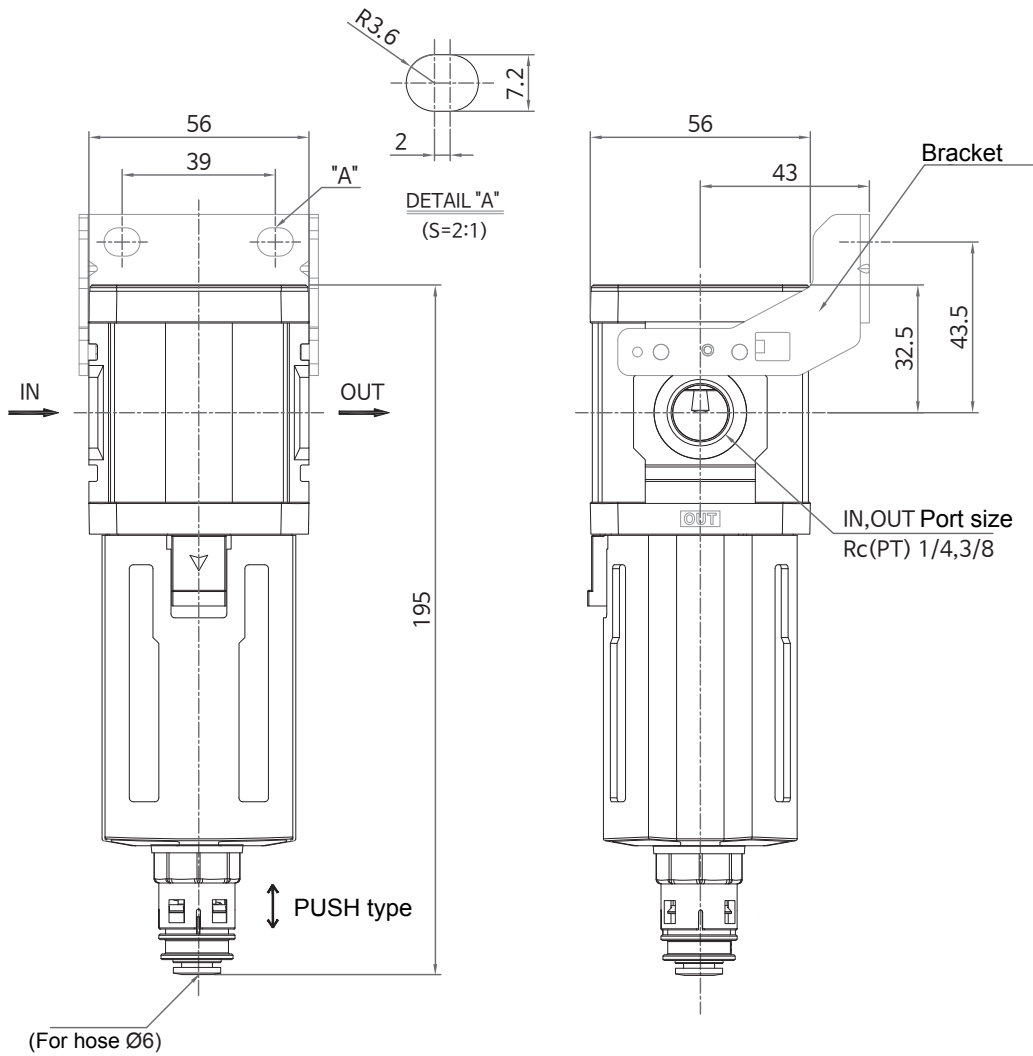
B : Bracket



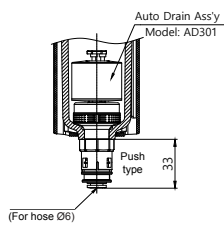
Model : BC301

Dimensions

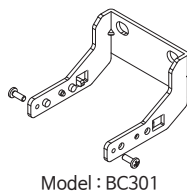
KAFM/KAFU 301(PC bowl + Auto drain)



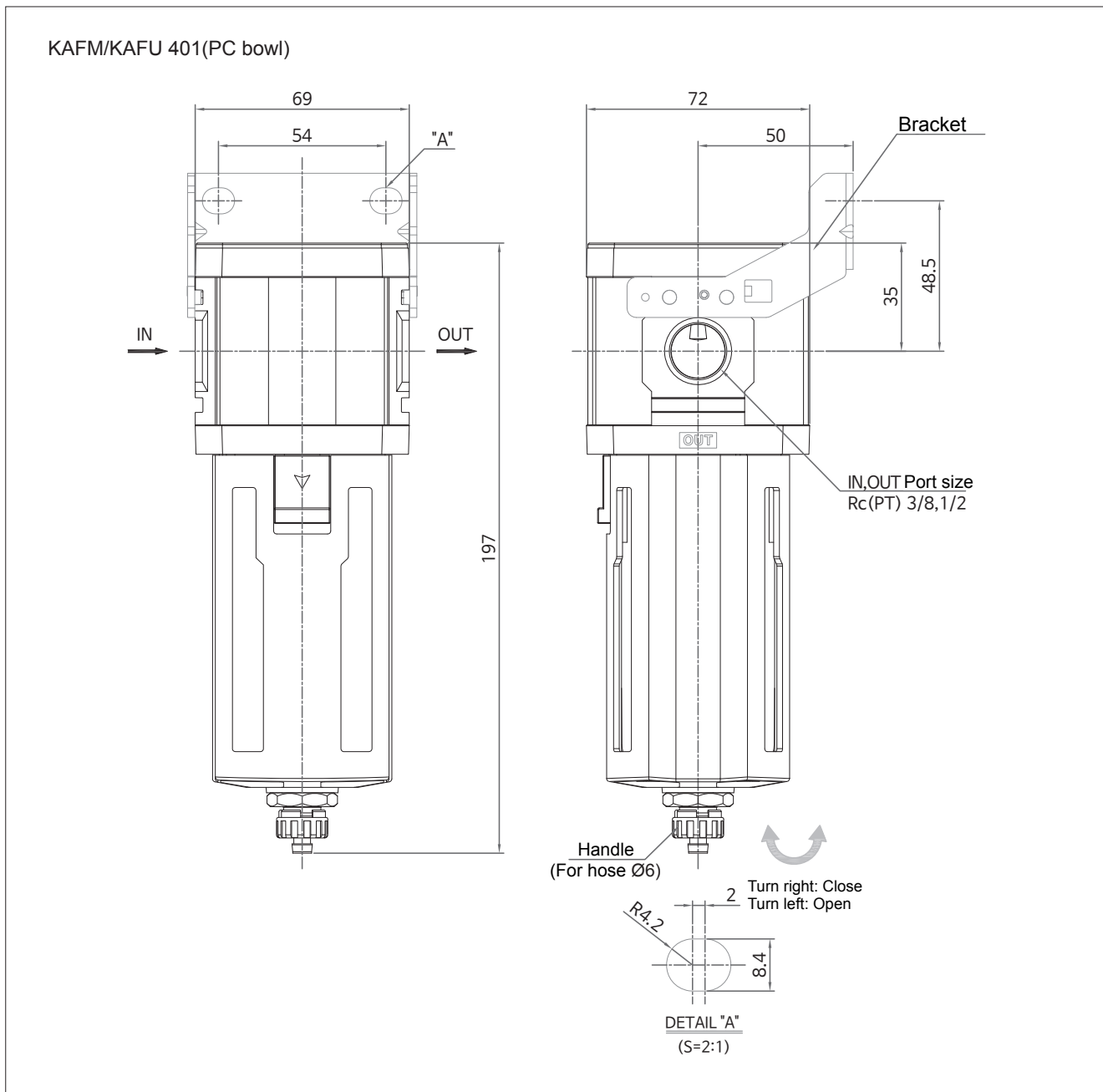
D : Auto drain



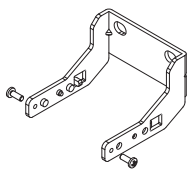
B : Bracket



Dimensions



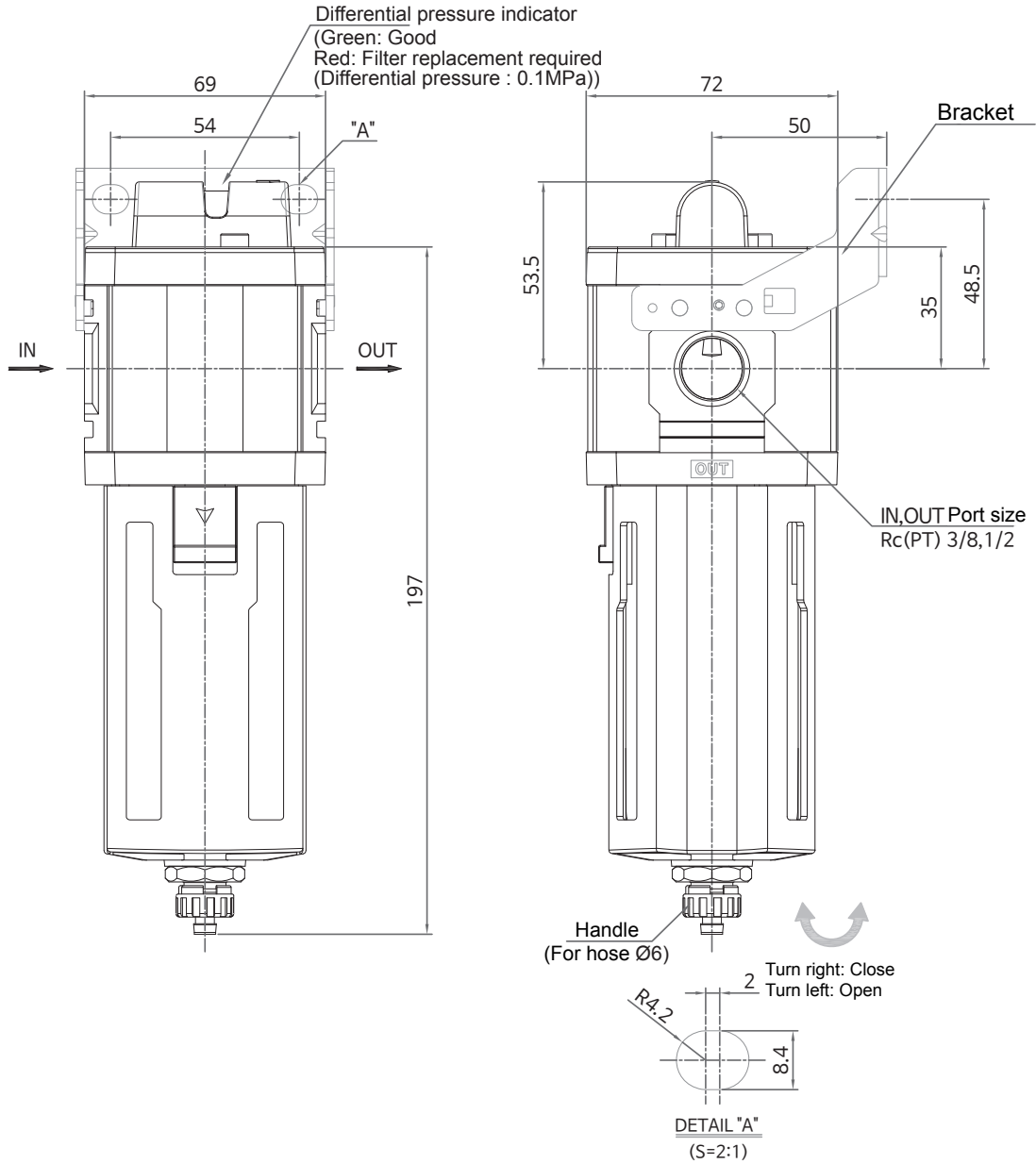
B : Bracket



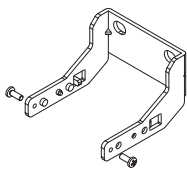
Model : BC401

Dimensions

KAFM/KAFU 401(With Differential pressure indicator)

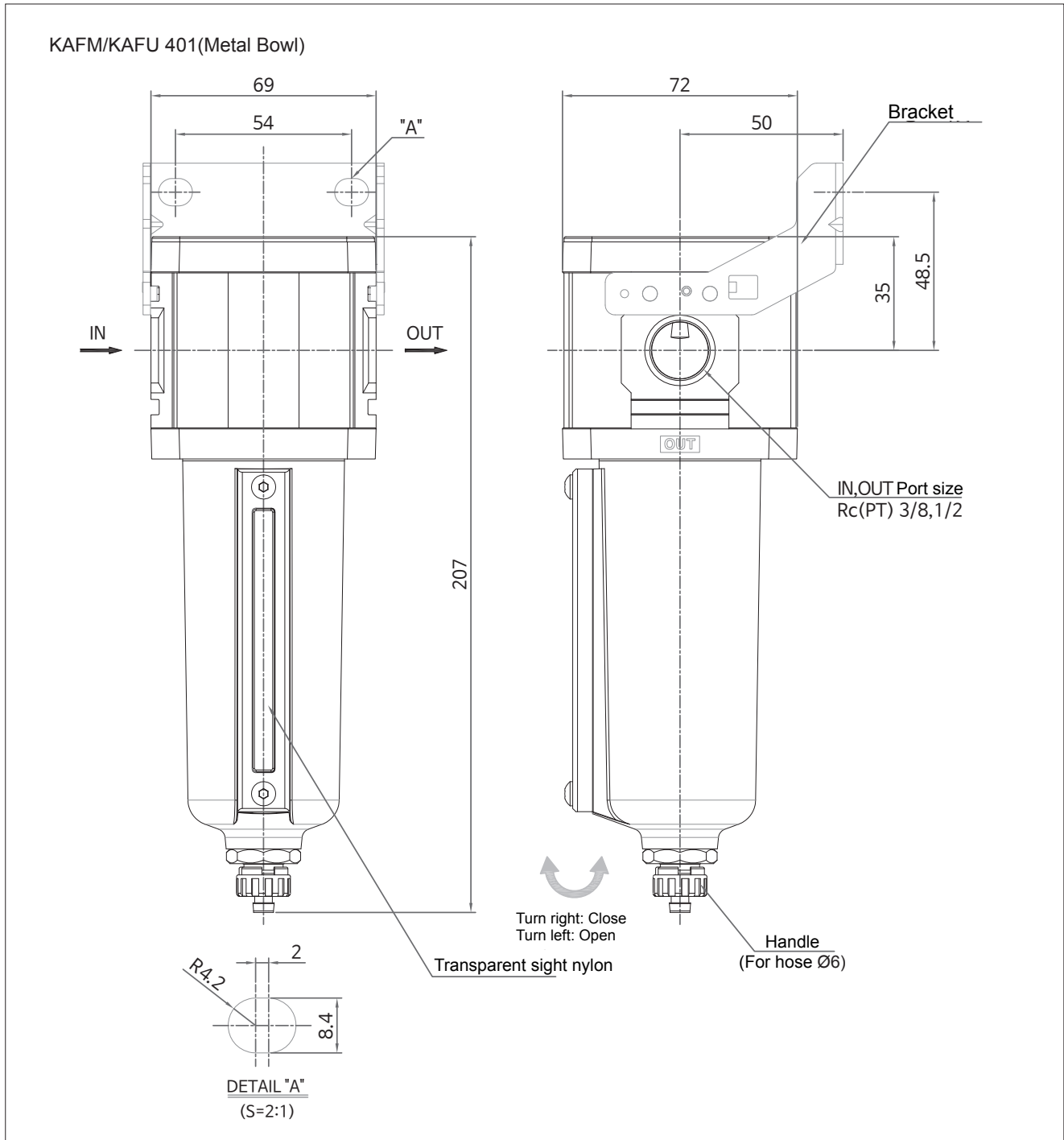


B : Bracket

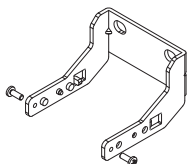


Model : BC401

Dimensions



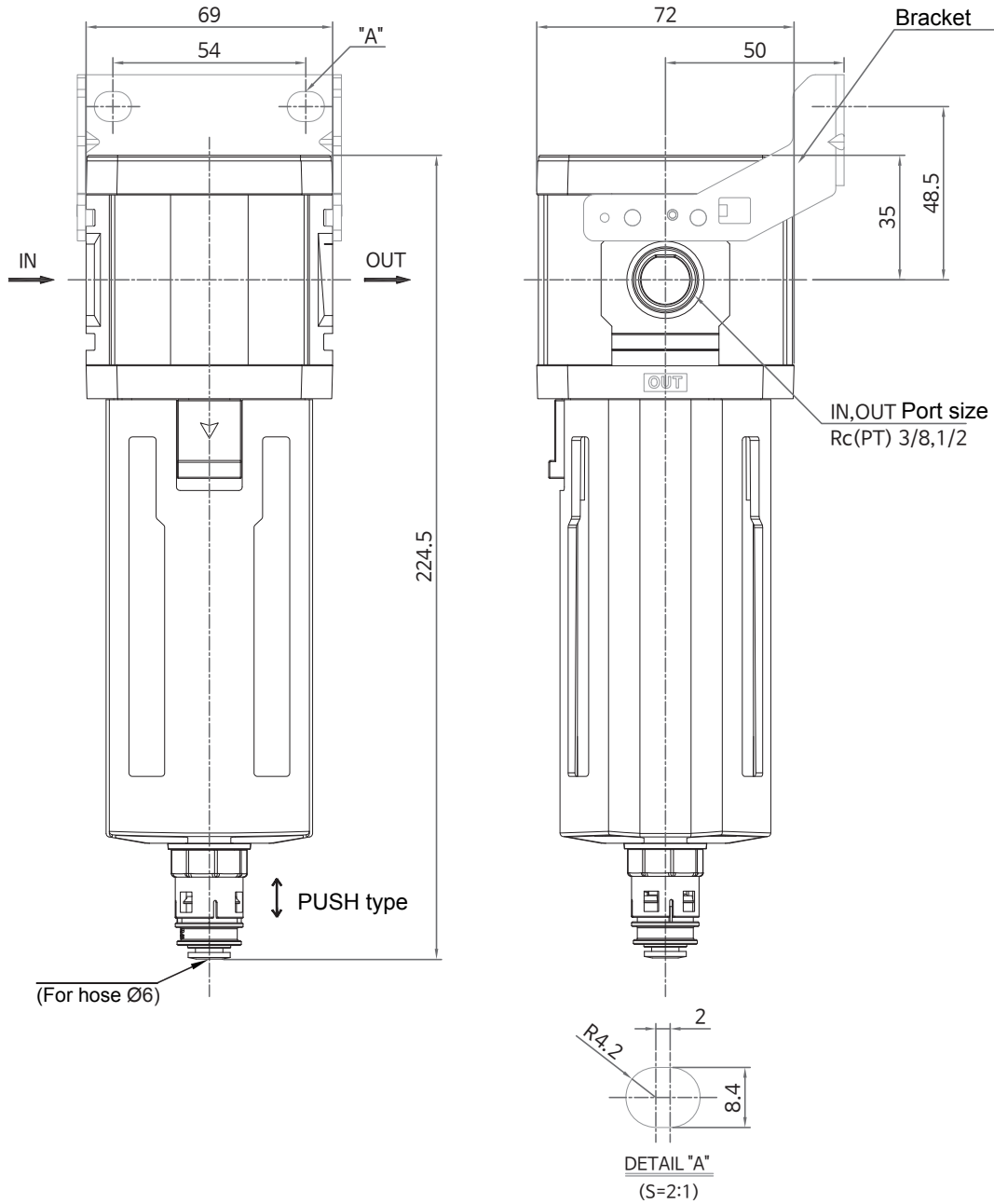
B : Bracket



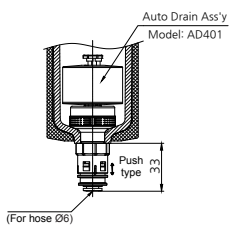
Model : BC401

Dimensions

KAFM/KAFU 401(PC bowl + Auto drain)



D : Auto drain



B : Bracket

