

One Touch Fitting



EC
[9]-5



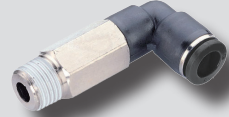
EL
[9]-7



ET
[9]-9



EY
[9]-11



ELL
[9]-13



EST
[9]-15



EPFC
[9]-17



EFC
[9]-19



EH
[9]-21



EOC
[9]-23



ER
[9]-25



ERL
[9]-26



EUR
[9]-27



EGT
[9]-28



EWJ
[9]-29



ERY
[9]-30



EKG
[9]-31



EKJ
[9]-32



EKD
[9]-33



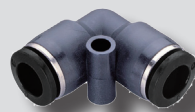
EUT
[9]-35



EUY
[9]-36



EUC
[9]-37



EUL
[9]-38



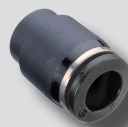
EPC
[9]-39



EMP
[9]-40



EBC
[9]-41



EPF
[9]-42



EYA
[9]-43



EAL
[9]-44



EZA
[9]-45

형식 기호

E C 08 02 -

① ② ③ ④ ⑤

① 시리즈

E	원터치 피팅
---	--------

② 종류

C	수나사 일자형
L	수나사 L자형
T	수나사 T자형
Y	수나사 Y자형
LL	수나사 연장식 L자형
ST	수나사 2방향 L자형
PFC	패널용 암나사 일자형
FC	암나사 일자형
H	육각머리 수나사 L자형
OC	원통몸체 수나사 일자형
R	튜브 축소접속 일자형
RL	튜브 축소접속 L자형
UR	다른 Ø 튜브연결 일자형
GT	다른 Ø 튜브연결 T자형
WJ	튜브 축소접속 Y자형
RY	다른 Ø 튜브연결 Y자형
KG	다른 Ø 튜브연결 3방향 T자형
KJ	튜브 접속 3방향 L자형
KD	수나사 3방향 L자형
UT	튜브연결 T자형
UY	튜브연결 Y자형
UC	튜브연결 일자형
UL	튜브연결 L자형
PC	패널용 튜브연결
MP	경량화된 패널용 튜브연결
BC	피팅 마개
PF	튜브 마개
YA	튜브접속 Y자형
AL	튜브접속 L자형
ZA	튜브연결 +자형

③ 적용튜브외경

mm적용		inch적용	
03	Ø3	5/32	Ø5/32
04	Ø4	3/16	Ø3/16
06	Ø6	1/4	Ø1/4
08	Ø8	5/16	Ø5/16
10	Ø10	3/8	Ø3/8
12	Ø12	1/2	Ø1/2
16	Ø16		

※ EKD의 경우, 적용튜브외경과 관접속구경(튜브접속) 다음에 나사접속구경이 추가 됩니다.
예) EKD0806-01
한방향 Ø8
분배축 Ø6,
나사 접속 구경 R(PT)1/8

※ 적용튜브외경과 관접속구경이 모두 적용 되지 않는 경우도 있으니 해당 모델 페이지를 참고 바랍니다.

⑤ 도금

무기호	표준사양
N	니켈도금

④ 관접속구경

나사 접속	METRIC 적용	M5	M5×0.8
	M6	M6×1.0	
R(PT) 적용	01	R(PT)1/8, Rc(PT)1/8	
	02	R(PT)1/4, Rc(PT)1/4	
	03	R(PT)3/8, Rc(PT)3/8	
	04	R(PT)1/2, Rc(PT)1/2	
G(PF) 적용	G01	G 1/8	
	G02	G 1/4	
	G03	G 3/8	
	G04	G 1/2	
UNF적용	U	10-32UNF	
NPT 적용	N1	NPT 1/8	
	N2	NPT 1/4	
	N3	NPT 3/8	
	N4	NPT 1/2	
튜브 접속	무기호	같은 Ø 튜브연결	
	mm 적용	04	Ø4
		06	Ø6
		08	Ø8
		10	Ø10
		12	Ø12
	Inch 적용	16	Ø16
		5/32	Ø5/32
		3/16	Ø3/16
		1/4	Ø1/4
		5/16	Ø5/16
		3/8	Ø3/8
		1/2	Ø1/2

액세서리

원터치피팅

컴팩트 원터치피팅

투터치피팅

SC, SCS

SC-F

ASCM

KAS2000 /4000

KAS500 /600

SCPV

KHVC

KHVF

KHVV

KHVM

KHBVV

SH

사양

사용유체	공기
사용압력	0~150PSI / 0~9.9kgf/cm ² (0~0.99MPa) ※ 적용 Tube와의 조합에 있어서 Tube의 최고 사용압력에 의거합니다
부압	-29.5 in Hg / -750mmHg(-750Torr)
사용온도 범위	32~140°F / 0~60°C
사용호스 종류	Polyurethane and Nylon

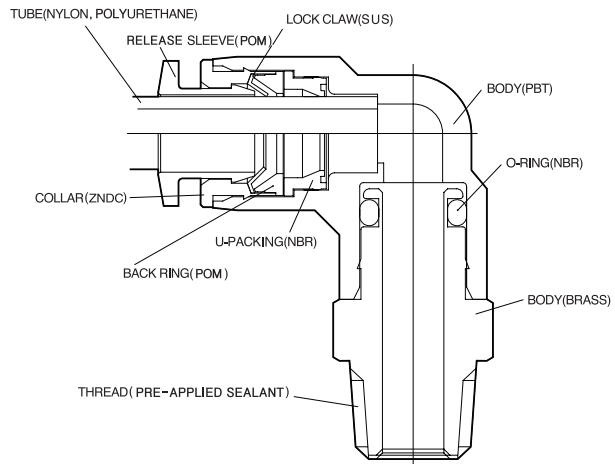
특징

- 한번의 동작으로 튜브를 밀어넣어 손쉽게 탈착할 수 있습니다.
- EC는 내·외측이 육각으로 되어 있어 협소한 장소의 배관에 효과적입니다.
- EI와 ET의 본체는 회전하는 구조이기 때문에 튜브의 배관이 효율적입니다.
- 나사부에는 가스켓, 오링 및 테프론 처리가 되어 있습니다.

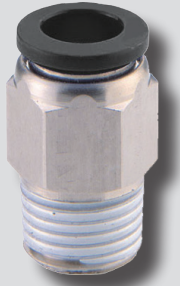
용도

- 공기압 배관에 사용하는 원터치식 관 연결구입니다.
- 사용자의 환경에 따라서 다양하게 사용할 수 있습니다.

구조도



EC series

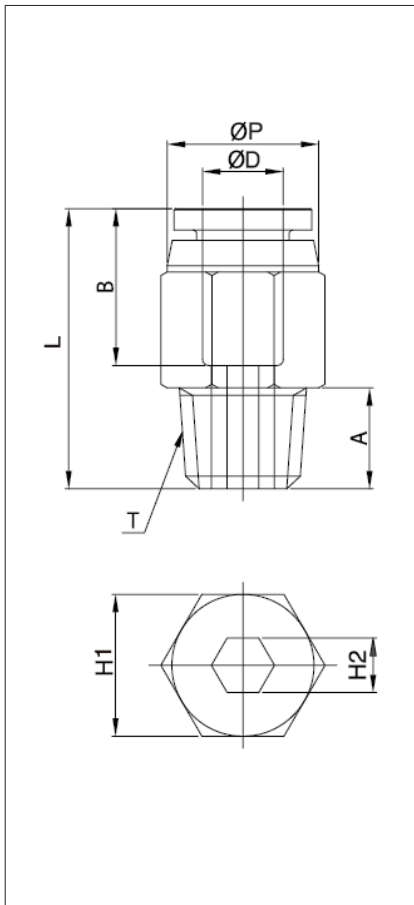


수나사 일자형

암나사측에 같은 방향의 튜브 배관에 사용

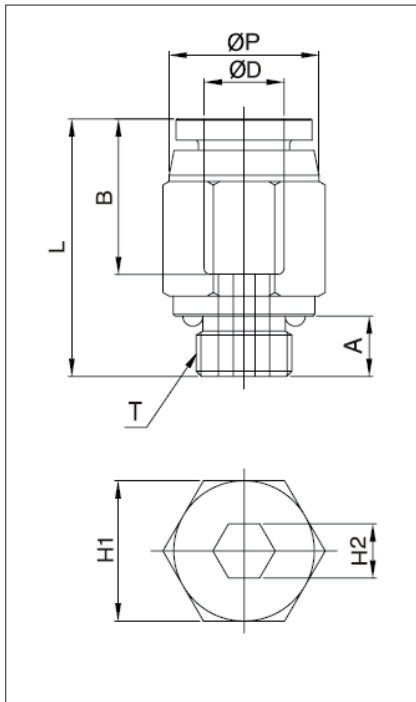
외형치수도 (R(PT)나사)

단위 : mm



모델	ØD	ØP	T	L	A	B	H1 (Hex)	H2 (Hex)	ORIFICE	WEIGHT (g)	BOX (EA)
EC04M5	4	10.0	M5X0.8	21.9	4.6	15.9	10	-	2.5	5.8	100
EC04M6			M6X1.0	21.9	4.1		10	-	3.0	5.8	100
EC0401			R(PT) 1/8	21.6	8		10	3	3.0	7.8	100
EC0402			R(PT) 1/4	20.6	10		14	3	3.0	14.8	100
EC0403			R(PT) 3/8	22.0	11		17	3	3.0	26.8	100
EC06M5			6	12.0	M5X0.8		23.6	4.6	16.5	12	-
EC06M6	M6X1.0	23.1			4.1	12	-	3.0		8.8	100
EC0601	R(PT) 1/8	22.2			8	12	4	4.0		8.8	100
EC0602	R(PT) 1/4	21.0			10	14	5	5.0		12.8	100
EC0603	R(PT) 3/8	22.0			11	17	5	5.0		25.8	100
EC0604	R(PT) 1/2	29.3			14	19	5	5.0		49.8	50
EC0801	8	14.0	R(PT) 1/8	27.5	8	17.7	14	5	5.0	14.7	100
EC0802			R(PT) 1/4	25.5	10		14	6	6.0	18.7	100
EC0803			R(PT) 3/8	23.0	11		17	6	6.0	21.7	100
EC0804			R(PT) 1/2	29.7	14		19	6	6.0	49.7	50
EC1001	10	16.1	R(PT) 1/8	28.7	8	18.6	17	5	5.0	21.5	100
EC1002			R(PT) 1/4	30.7	10		17	6	6.0	24.5	100
EC1003			R(PT) 3/8	24.7	11		17	8	8.0	41.5	100
EC1004			R(PT) 1/2	29.7	14		19	8	8.0	51.5	50
EC1201	12	19.0	R(PT) 1/8	32.3	8	20.9	19	5	5.0	28.3	50
EC1202			R(PT) 1/4	32.8	10		19	6	6.0	36.3	50
EC1203			R(PT) 3/8	29.8	11		19	8	8.0	30.3	50
EC1204			R(PT) 1/2	29.8	14		19	8	8.0	48.3	50
EC1603	16	24.0	R(PT) 3/8	37.3	11	24.8	24	10	10.0	50.0	25
EC1604			R(PT) 1/2	40.3	14		24	10	10.0	63.0	25

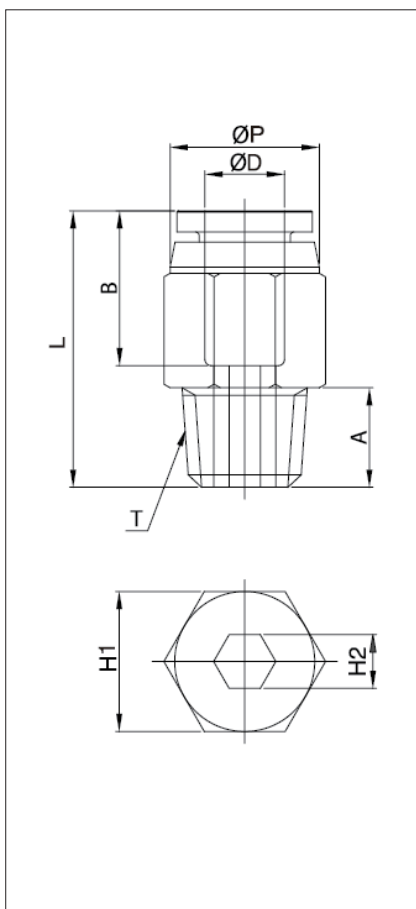
외형치수도 (G나사)



단위 : mm

모델	ØD	ØP	T	L	A	B	H1 (Hex)	H2 (Hex)	ORIFICE	WEIGHT (g)	BOX (EA)
EC04G01	4	10.3	G 1/8	21.5	5.0	15.9	13	3	3.0	10.8	100
EC04G02			G 1/4	23.5	6.5		15	3	3.0	18.8	100
EC04G03			G 3/8	23.5	6.5		17	3	3.0	21.8	100
EC06G01	6	12.3	G 1/8	22.5	5.0	16.5	13	4	4.0	9.8	100
EC06G02			G 1/4	24.5	6.5		15	5	5.0	16.8	100
EC06G03			G 3/8	25.5	6.5		17	5	5.0	23.8	100
EC08G01	8	14.3	G 1/8	26.7	5.0	17.7	15	5	5.0	16.7	100
EC08G02			G 1/4	26.7	6.5		15	6	6.0	14.7	100
EC08G03			G 3/8	25.0	6.5		17	6	6.0	22.7	100
EC08G04			G 1/2	26.0	8.0		21	6	6.0	39.7	50
EC10G01	10	16.5	G 1/8	29.5	5.0	18.6	17	5	5.0	21.5	100
EC10G02			G 1/4	30.0	6.5		17	6	6.0	22.5	100
EC10G03			G 3/8	27.0	6.5		17	8	8.0	21.5	100
EC10G04			G 1/2	28.3	8.0		21	8	8.0	36.5	50
EC12G02	12	19	G 1/4	32.2	6.5	20.9	19	6	6.0	26.3	50
EC12G03			G 3/8	31.6	6.5		19	8	8.0	22.3	50
EC12G04			G 1/2	31.6	8.0		21	8	8.0	36.3	50
EC16G03	16	24.0	G 3/8	36.3	6.5	24.8	24	10	10.0	53.0	25
EC16G04			G 1/2	36.3	8.0		24	10	10.0	59.0	25

외형치수도 (NPT나사)

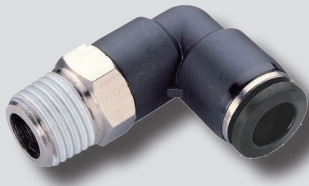


단위 : mm

모델	ØD (INCH)	ØP	T	L	A	B	H1 (Hex)	H2 (Hex)	ORIFICE	WEIGHT (g)	BOX (EA)
EC5/32U	5/32	10.5	UNF 10/32	21.4	3.6	16.2	7/16	3/32	2.5	5.8	100
EC5/32N1			NPT 1/8	19.5	8.5		7/16	1/8	3.2	7.8	100
EC5/32N2			NPT 1/4	22.0	10.5		9/16	1/8	3.2	14.8	100
EC5/32N3			NPT 3/8	23.0	11.5		11/16	1/8	3.2	24.8	100
EC3/16U	3/16	11.0	UNF 10/32	22.0	3.6	16.8	7/16	3/32	2.5	7.8	100
EC3/16N1			NPT 1/8	23.1	8.5		7/16	1/8	3.2	14.8	100
EC3/16N2			NPT 1/4	23.1	10.5		9/16	1/8	3.2	24.8	100
EC3/16N3			NPT 3/8	24.1	11.5		11/16	1/8	3.2	24.8	100
EC1/4U	1/4	12.7	UNF 10/32	23.2	3.6	17.3	1/2	3/32	2.5	8.8	100
EC1/4N1			NPT 1/8	23.8	8.5		1/2	3/16	4.0	8.8	100
EC1/4N2			NPT 1/4	23.2	10.5		9/16	3/16	4.0	12.8	100
EC1/4N3			NPT 3/8	24.2	11.5		11/16	3/16	4.0	23.8	100
EC1/4N4	NPT 1/2	27.3	14.5	7/8	3/16	4.0	49.8	50			
EC5/16N1	5/16	14.0	NPT 1/8	28.2	8.5	18.2	9/16	3/16	4.8	12.7	100
EC5/16N2			NPT 1/4	26.0	10.5		9/16	1/4	6.4	14.7	100
EC5/16N3			NPT 3/8	26.5	11.5		11/16	1/4	6.4	21.7	100
EC5/16N4			NPT 1/2	24.5	14.5		7/8	1/4	6.4	59.7	50
EC3/8N1	3/8	16.7	NPT 1/8	30.1	8.5	19.9	11/16	3/16	4.8	21.4	100
EC3/8N2			NPT 1/4	31.1	10.5		11/16	1/4	6.4	25.4	100
EC3/8N3			NPT 3/8	24.8	11.5		11/16	5/16	7.9	20.4	100
EC3/8N4			NPT 1/2	24.0	14.5		7/8	5/16	7.9	50.4	50
EC1/2N1	1/2	20.6	NPT 1/8	33.4	8.5	23.0	7/8	3/16	4.8	32.1	50
EC1/2N2			NPT 1/4	35.4	10.5		7/8	1/4	6.4	35.1	50
EC1/2N3			NPT 3/8	31.9	11.5		7/8	3/8	9.5	36.1	50
EC1/2N4			NPT 1/2	31.4	14.5		7/8	3/8	9.5	46.1	50

액세서리
원터치피팅
컴팩트 원터치피팅
투터치피팅
SC, SCS
SC-F
ASCM
KAS2000 /4000
KAS500 /600
SCPV
KHVC
KHVF
KHVU
KHVM
KHBVU
SH

EL series

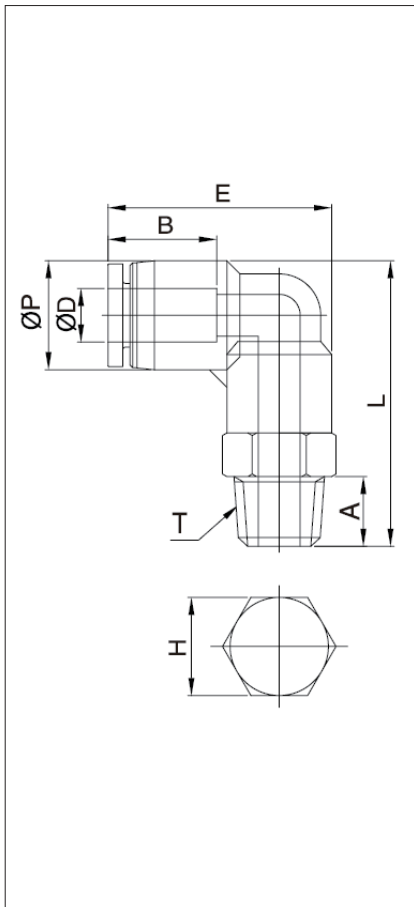


수나사 L자형

암나사측에 직각 방향의 튜브 배관에 사용

외형치수도 (R(PT)나사)

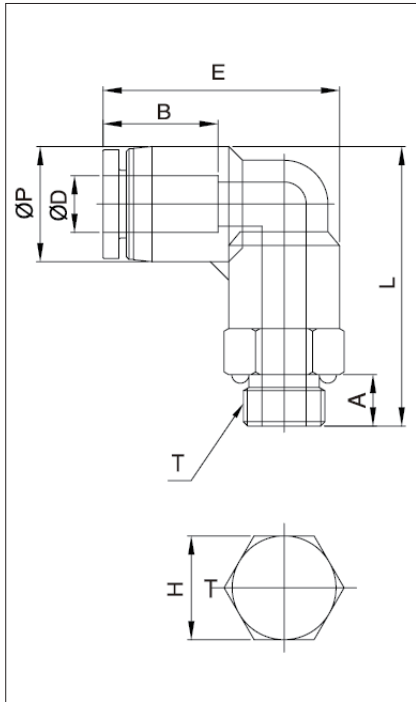
단위 : mm



모델	ØD	ØP	T	L	E	A	B	H (Hex)	ORIFICE	WEIGHT (g)	BOX (EA)
EL04M5	4	10.5	M5X0.8	25.8	23.8	4.1	16.8	10	2.5	7.8	100
EL04M6			M6X1.0	25.8		4.1		10	2.5	7.8	100
EL0401			R(PT) 1/8	29.8		8.0		10	3.0	10.8	100
EL0402			R(PT) 1/4	31.8		10.0		14	3.0	17.8	100
EL0403	R(PT) 3/8	32.8	11.0	17	3.0	31.8	100				
EL06M5	6	12.5	M5X0.8	30.3	26.5	4.6	17.6	12	2.5	5.7	100
EL06M6			M6X1.0	28.9		4.1		12	3.0	5.7	100
EL0601			R(PT) 1/8	32.8		8.0		12	4.5	14.7	100
EL0602			R(PT) 1/4	35.8		10.0		14	4.5	19.7	100
EL0603			R(PT) 3/8	36.8		11.0		17	4.5	26.7	50
EL0604			R(PT) 1/2	39.8		14.0		21	4.5	46.7	50
EL0801	8	14.8	R(PT) 1/8	35.2	29.7	8.0	18.7	14	6.0	17.7	50
EL0802			R(PT) 1/4	38.2		10.0		14	6.0	22.7	50
EL0803			R(PT) 3/8	39.2		11.0		17	6.0	29.7	50
EL0804			R(PT) 1/2	42.2		14.0		21	6.5	49.7	50
EL1001	10	17.5	R(PT) 1/8	37.3	32.1	8.0	19.6	17	6.0	24.2	50
EL1002			R(PT) 1/4	40.3		10.0		17	7.0	30.2	50
EL1003			R(PT) 3/8	41.3		11.0		17	7.0	33.2	50
EL1004			R(PT) 1/2	44.3		14.0		21	7.0	53.2	25
EL1201	12	20.5	R(PT) 1/8	42.7	36.9	8.0	21.9	19	6.0	39.1	25
EL1202			R(PT) 1/4	44.7		10.0		19	7.0	42.1	25
EL1203			R(PT) 3/8	45.7		11.0		19	10.0	41.1	25
EL1204			R(PT) 1/2	48.7		14.0		21	10.0	53.1	25
EL1603	16	25.5	R(PT) 3/8	55.6	44.1	11.0	24.0	24	10.0	67.0	20
EL1604			R(PT) 1/2	58.3		14.0		24	13.0	76.0	20

외형치수도 (G나사)

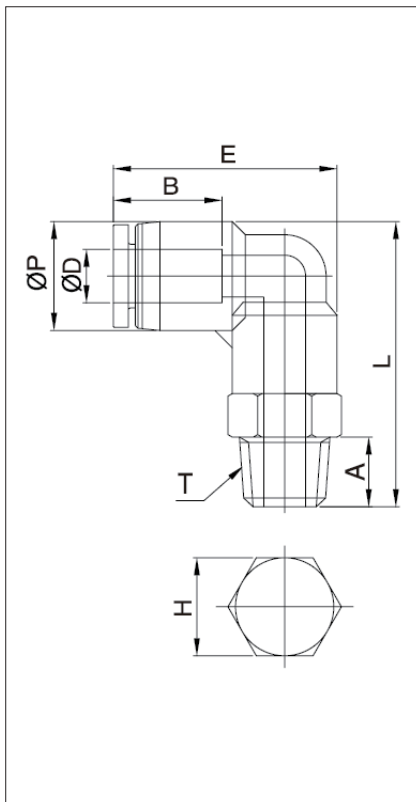
단위 : mm



모델	ØD	ØP	T	L	E	A	B	H (Hex)	ORIFICE	WEIGHT (g)	BOX (EA)
EL04G01	4	10.5	G 1/8	27.4	23.8	5.0	16.8	14	3.0	12.8	100
EL04G02			G 1/4	29.4		6.5		17	3.0	15.8	100
EL04G03			G 3/8	30.4		6.5		20	3.0	21.8	100
EL06G01	6	12.5	G 1/8	30.6	26.5	5.0	17.6	14	4.0	13.7	100
EL06G02			G 1/4	32.6		6.5		17	4.0	19.7	100
EL06G03			G 3/8	33.6		6.5		20	4.0	23.7	50
EL08G01	8	14.5	G 1/8	32.9	29.7	5.0	18.7	14	6.0	14.7	50
EL08G02			G 1/4	34.9		6.5		17	6.0	21.7	50
EL08G03			G 3/8	35.9		6.5		20	6.0	26.7	50
EL08G04			G 1/2	36.9		8.0		24	6.0	36.7	50
EL10G01	10	17.5	G 1/8	35.4	32.1	5.0	19.6	17	7.0	23.2	50
EL10G02			G 1/4	37.4		6.5		17	7.0	22.2	50
EL10G03			G 3/8	38.4		6.5		20	7.0	29.2	50
EL10G04			G 1/2	39.4		8.0		24	7.0	41.2	25
EL12G02	12	20.5	G 1/4	41.4	36.9	6.5	21.9	19	8.0	33.1	25
EL12G03			G 3/8	42.4		6.5		20	10.0	34.1	25
EL12G04			G 1/2	43.4		8.0		24	10.0	47.1	25
EL16G03	16	25.5	G 3/8	53.5	44.1	6.5	24.0	24	10.0	64.0	20
EL16G04			G 1/2	54.5		8.0		24	13.0	69.0	20

외형치수도 (NPT나사)

단위 : mm



모델	ØD	ØP	T	L	E	A	B	H (Hex)	ORIFICE	WEIGHT (g)	BOX (EA)
EL5/32U	5/32	10.5	UNF 10/32	26.7	23.7	3.6	16.2	7/16	2.5	7.8	100
EL5/32N1			NPT 1/8	30.3		8.5		7/16	3.0	9.8	100
EL5/32N2			NPT 1/4	33.3		10.5		9/16	3.0	16.8	100
EL3/16U	3/16	11.5	UNF 10/32	27.2	24.2	3.6	16.8	7/16	3.0	7.7	100
EL3/16N1			NPT 1/8	30.8		8.5		7/16	3.0	9.7	100
EL3/16N2			NPT 1/4	33.8		10.5		9/16	3.0	16.7	100
EL3/16N3			NPT 3/8	34.8		11.5		11/16	3.0	18.7	50
EL1/4U	1/4	13.0	UNF 10/32	32.4	26.5	3.6	17.3	1/2	2.5	11.7	100
EL1/4N1			NPT 1/8	34.3		8.5		1/2	4.5	14.7	100
EL1/4N2			NPT 1/4	37.0		10.5		9/16	4.5	19.7	100
EL1/4N3			NPT 3/8	38.0		11.5		11/16	4.5	32.7	50
EL5/16N1	5/16	14.5	NPT 1/8	36.7	30.1	8.5	18.2	9/16	6.0	17.7	100
EL5/16N2			NPT 1/4	38.7		10.5		9/16	6.0	22.7	50
EL5/16N3			NPT 3/8	39.7		11.5		11/16	6.0	35.7	50
EL5/16N4			NPT 1/2	42.7		14.5		7/8	6.0	55.7	25
EL3/8N1	3/8	17.5	NPT 1/8	38.8	32.3	8.5	19.9	11/16	5.0	24.2	50
EL3/8N2			NPT 1/4	40.8		10.5		11/16	7.0	28.2	50
EL3/8N3			NPT 3/8	41.8		11.5		11/16	7.0	33.2	50
EL3/8N4			NPT 1/2	44.8		14.5		7/8	7.0	53.2	25
EL1/2N2	1/2	21.0	NPT 1/4	46.0	37.8	10.5	23.0	3/4	8.0	36.0	25
EL1/2N3			NPT 3/8	47.0		11.5		3/4	9.0	45.0	25
EL1/2N4			NPT 1/2	50.0		14.5		7/8	9.0	63.0	25

액세서리
원터치피팅
콤팩트 원터치피팅
투터치피팅
SC, SCS
SC-F
ASCM
KAS2000 /4000
KAS500 /600
SCPV
KHVC
KHVF
KHVU
KHVM
KHBVU
SH

ET series

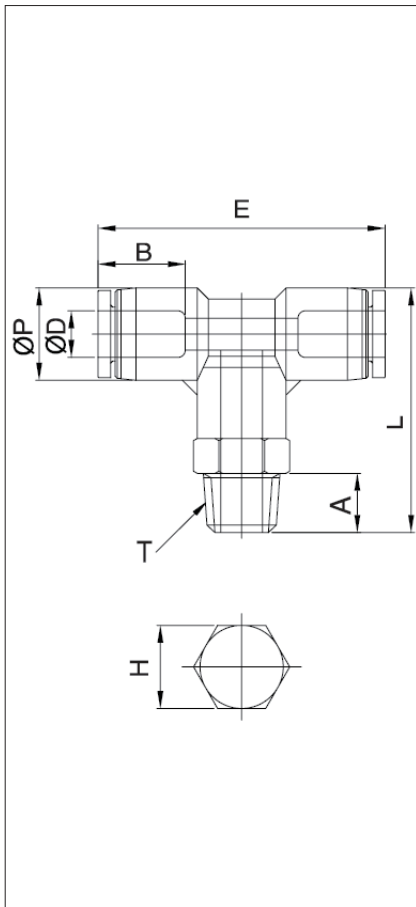


수나사 T자형

암나사측에 직각 방향의 T형 양방향 튜브 배관에 사용

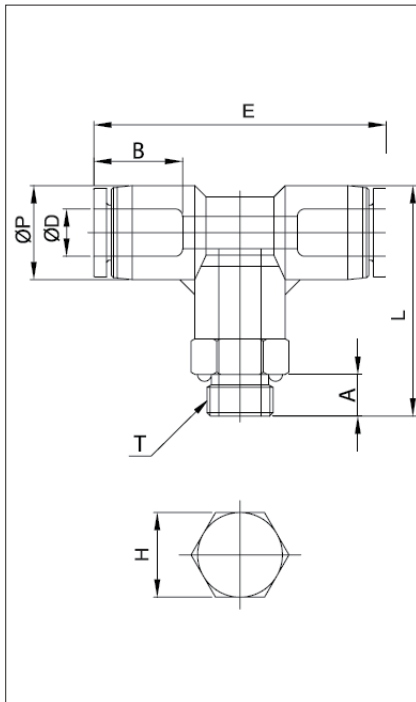
외형치수도 (R(PT)나사)

단위 : mm



모델	ØD	ØP	T	L	E	A	B	H (Hex)	ORIFICE	WEIGHT (g)	BOX (EA)
ET04M5	4	10.5	M5X0.8	20.5	37.3	4.6	16.8	10	2.0	9.6	100
ET04M6			M6X1.0	20.6		4.1		10	2.5	9.6	100
ET0401			R(PT) 1/8	24.5		8.0		10	3.0	10.6	100
ET0402			R(PT) 1/4	26.5		10.0		14	3.0	17.6	100
ET0403			R(PT) 3/8	27.5		11.0		17	3.0	25.6	50
ET06M5	6	12.5	M5X0.8	24.0	40.7	4.6	17.6	12	2.0	14.4	50
ET06M6			M6X1.0	22.6		4.1		12	3.0	14.4	50
ET0601			R(PT) 1/8	26.5		8.0		12	4.5	16.4	50
ET0602			R(PT) 1/4	29.5		10.0		14	4.5	22.4	50
ET0603			R(PT) 3/8	30.5		11.0		17	4.5	31.4	50
ET0604			R(PT) 1/2	33.5		14.0		21	4.5	48.4	25
ET0801	8	14.8	R(PT) 1/8	28.0	45.1	8.0	18.7	14	6.0	20.4	50
ET0802			R(PT) 1/4	31.0		10.0		14	6.0	24.4	50
ET0803			R(PT) 3/8	32.0		11.0		17	6.0	32.4	50
ET0804			R(PT) 1/2	35.0		14.0		21	6.5	50.4	25
ET1001	10	17.5	R(PT) 1/8	28.5	47.4	8.0	19.6	17	6.0	30.4	25
ET1002			R(PT) 1/4	31.5		10.0		17	7.0	35.4	25
ET1003			R(PT) 3/8	32.5		11.0		17	7.0	39.4	25
ET1004			R(PT) 1/2	35.5		14.0		21	7.0	58.4	25
ET1201	12	20.5	R(PT) 1/8	32.4	55.3	8.0	21.9	19	6.0	45.8	25
ET1202			R(PT) 1/4	34.4		10.0		19	7.0	47.8	25
ET1203			R(PT) 3/8	35.4		11.0		19	10.0	53.8	25
ET1204			R(PT) 1/2	38.4		14.0		21	10.0	59.8	20
ET1603	16	25.5	R(PT) 3/8	42.8	64.6	11.0	24.0	24	10.0	84.0	12
ET1604			R(PT) 1/2	45.8		14.0		24	13.0	91.0	12

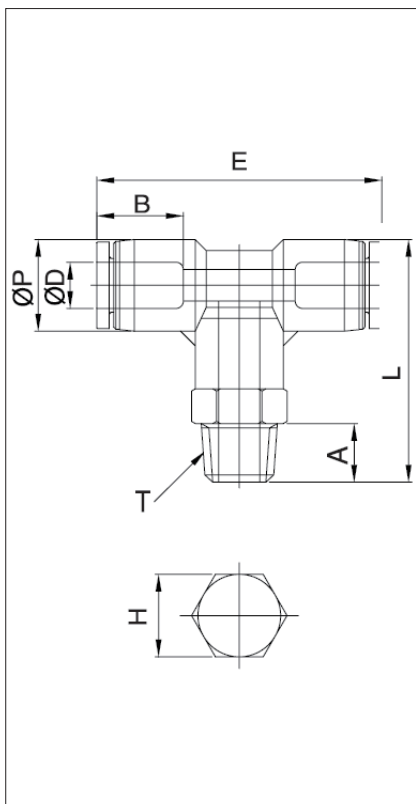
외형치수도 (G나사)



단위 : mm

모델	ØD	ØP	T	L	E	A	B	H (Hex)	ORIFICE	WEIGHT (g)	BOX (EA)
ET04G01	4	10.5	G 1/8	27.8	37.6	5.0	16.8	14	3.0	13.6	100
ET04G02			G 1/4	29.8		6.5		17	3.0	18.6	100
ET04G03			G 3/8	29.3		6.5		20	3.0	23.6	50
ET06G01	6	12.5	G 1/8	30.8	41.0	5.0	17.6	14	4.0	16.4	50
ET06G02			G 1/4	32.8		6.5		17	4.0	21.4	50
ET06G03			G 3/8	32.8		6.5		20	4.0	26.4	50
ET08G01	8	14.5	G 1/8	33.3	44.4	5.0	18.7	14	6.0	18.4	50
ET08G02			G 1/4	35.3		6.5		17	6.0	25.4	50
ET08G03			G 3/8	35.3		6.5		20	6.0	29.4	50
ET08G04			G 1/2	36.3		8.0		24	6.0	40.4	25
ET10G01	10	17.5	G 1/8	35.3	47.2	5.0	19.6	17	7.0	28.4	25
ET10G02			G 1/4	37.3		6.5		17	7.0	27.4	25
ET10G03			G 3/8	37.3		6.5		20	7.0	33.4	25
ET10G04			G 1/2	38.3		8.0		24	7.0	45.4	25
ET12G02	12	20.5	G 1/4	42.7	54.8	6.5	21.9	19	8.0	40.2	25
ET12G03			G 3/8	42.7		6.5		20	10.0	42.2	25
ET12G04			G 1/2	43.7		8.0		24	10.0	53.2	20
ET16G03	16	25.5	G 3/8	53.6	64.6	6.5	24.0	24	10.0	80.0	12
ET16G04			G 1/2	54.6		8.0		24	13.0	84.0	12

외형치수도 (NPT나사)



단위 : mm

모델	ØD (INCH)	ØP	T	L	E	A	B	H (Hex)	ORIFICE	WEIGHT (g)	BOX (EA)
ET5/32U	5/32	10.5	UNF 10/32	26.7	37.0	3.6	16.2	7/16	2.5	9.6	100
ET5/32N1			NPT 1/8	30.3		8.5		7/16	3.0	11.6	100
ET5/32N2			NPT 1/4	33.3		10.5		9/16	3.0	15.6	100
ET3/16U	3/16	11.5	UNF 10/32	27.2	38.2	3.6	16.8	7/16	3.0	9.4	50
ET3/16N1			NPT 1/8	30.8		8.5		7/16	3.0	11.4	50
ET3/16N2			NPT 1/4	33.8		10.5		9/16	3.0	15.4	50
ET3/16N3			NPT 3/8	34.8		11.5		11/16	3.0	19.4	50
ET1/4U	1/4	13.0	UNF 10/32	32.4	40.8	3.6	17.3	1/2	2.5	14.4	50
ET1/4N1			NPT 1/8	34.3		8.5		1/2	4.5	16.4	50
ET1/4N2			NPT 1/4	37.0		10.5		9/16	4.5	22.4	50
ET1/4N3			NPT 3/8	38.0		11.5		11/16	4.5	42.4	50
ET5/16N1	5/16	14.5	NPT 1/8	36.7	43.7	8.5	18.2	9/16	6.0	22.4	50
ET5/16N2			NPT 1/4	38.7		10.5		9/16	6.0	26.4	50
ET5/16N3			NPT 3/8	39.7		11.5		11/16	6.0	30.4	25
ET5/16N4			NPT 1/2	42.7		14.5		7/8	6.0	50.4	25
ET3/8N1	3/8	17.5	NPT 1/8	38.8	47.7	8.5	19.9	11/16	5.0	34.4	25
ET3/8N2			NPT 1/4	40.8		10.5		11/16	7.0	38.4	25
ET3/8N3			NPT 3/8	41.8		11.5		11/16	7.0	43.4	25
ET3/8N4			NPT 1/2	44.8		14.5		7/8	7.0	58.4	25
ET1/2N2	1/2	21.0	NPT 1/4	46.0	56.5	10.5	23.0	3/4	8.0	45.0	25
ET1/2N3			NPT 3/8	47.0		11.5		3/4	9.0	54.0	25
ET1/2N4			NPT 1/2	50.0		14.5		7/8	9.0	74.0	20

액세서리
원터치피팅
컴팩트 원터치피팅
투터치피팅
SC, SCS
SC-F
ASCM
KAS2000 /4000
KAS500 /600
SCPV
KHVC
KHVF
KHVU
KHVM
KHBVU
SH

EY series

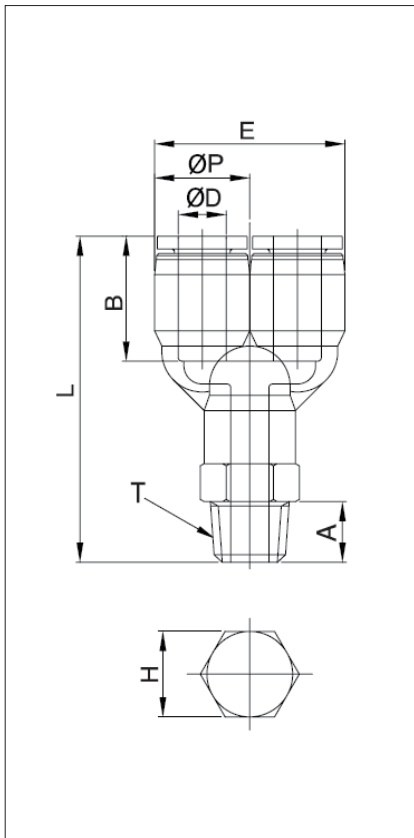


수나사 Y자형

암나사측에 같은 방향의 Y형 2방향 튜브 배관에 사용

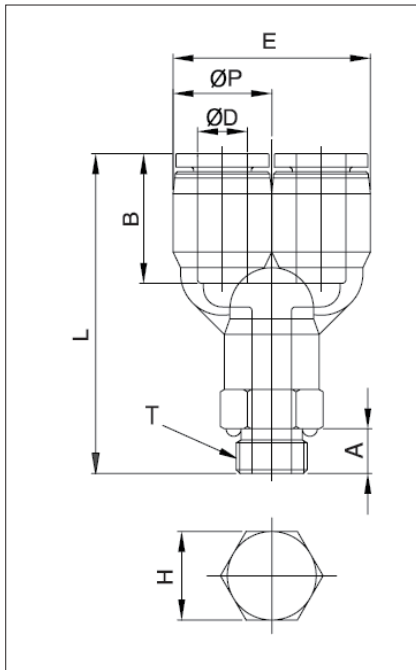
외형치수도 (R(PT)나사)

단위 : mm



모델	ØD	ØP	T	L	E	A	B	H (Hex)	ORIFICE	WEIGHT (g)	BOX (EA)
EY04M5	4	10.5	M5X0.8	41.1	21.0	4.6	15.7	10	2.5	10.6	100
EY04M6			M6X1.0	41.1		4.1		10	2.5	10.6	100
EY0401			R(PT) 1/8	43.6		8.0		10	3.0	11.6	100
EY0402			R(PT) 1/4	45.6		10.0		14	3.0	17.6	100
EY0403			R(PT) 3/8	46.6	11.0	17	3.0	25.6	50		
EY06M5	6	12.5	M5X0.8	42.0	25.0	4.6	17.0	12	2.5	15.4	50
EY06M6			M6X1.0	40.6		4.1		12	3.0	15.4	50
EY0601			R(PT) 1/8	44.5		8.0		12	4.5	18.4	50
EY0602			R(PT) 1/4	47.5		10.0		14	4.5	19.4	50
EY0603			R(PT) 3/8	48.5		11.0		17	4.5	31.4	50
EY0604			R(PT) 1/2	51.5		14.0		21	4.5	45.4	25
EY0801	8	14.8	R(PT) 1/8	47.9	29.0	8.0	19.1	14	6.0	19.4	50
EY0802			R(PT) 1/4	50.9		10.0		14	6.0	25.4	50
EY0803			R(PT) 3/8	51.9		11.0		17	6.0	33.4	50
EY0804			R(PT) 1/2	54.9		14.0		21	6.5	51.4	25
EY1001	10	17.5	R(PT) 1/8	51.2	35.2	8.0	20.2	17	6.0	31.4	25
EY1002			R(PT) 1/4	54.2		10.0		17	7.0	36.4	25
EY1003			R(PT) 3/8	55.2		11.0		17	7.0	38.4	25
EY1004			R(PT) 1/2	58.2		14.0		21	7.0	58.4	25
EY1201	12	20.5	R(PT) 1/8	57.2	42.0	8.0	22.7	19	6.0	48.2	25
EY1202			R(PT) 1/4	59.2		10.0		19	7.0	51.2	25
EY1203			R(PT) 3/8	60.2		11.0		19	10.0	50.2	25
EY1204			R(PT) 1/2	63.2		14.0		21	10.0	62.2	25

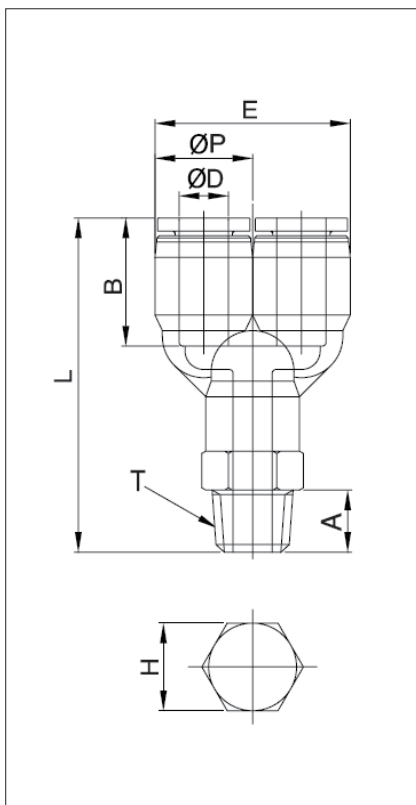
외형치수도 (G나사)



단위 : mm

모델	ØD	ØP	T	L	E	A	B	H (Hex)	ORIFICE	WEIGHT (g)	BOX (EA)
EY04G01	4	10.5	G 1/8	41.6	21.0	5.0	15.7	14	3.0	14.6	100
EY04G02			G 1/4	43.6		6.5		17	3.0	18.6	100
EY04G03			G 3/8	43.6		6.5		20	3.0	22.6	50
EY06G01	6	12.5	G 1/8	42.5	25.0	5.0	17.0	14	4.0	17.4	50
EY06G02			G 1/4	44.5		6.5		17	4.0	22.4	50
EY06G03			G 3/8	44.5		6.5		20	4.0	26.4	50
EY06G04			G 1/2	45.5		8.0		24	4.0	37.4	25
EY08G01	8	14.5	G 1/8	45.9	29.0	5.0	19.0	14	6.0	18.4	50
EY08G02			G 1/4	47.9		6.5		17	6.0	25.4	50
EY08G03			G 3/8	47.9		6.5		20	6.0	30.4	50
EY08G04			G 1/2	48.9		8.0		24	6.0	40.4	25
EY10G01	10	17.5	G 1/8	49.2	35.2	5.0	20.2	17	6.0	29.4	25
EY10G02			G 1/4	51.2		6.5		17	7.0	28.4	25
EY10G03			G 3/8	51.2		6.5		20	7.0	35.4	25
EY10G04			G 1/2	52.2		8.0		24	7.0	47.4	25
EY12G02	12	20.5	G 1/4	56.2	42.0	6.5	22.7	19	8.0	44.2	25
EY12G03			G 3/8	56.2		6.5		20	9.0	45.2	25
EY12G04			G 1/2	57.2		8.0		24	9.0	58.2	25

외형치수도 (NPT나사)

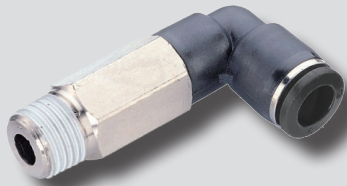


단위 : mm

모델	ØD (INCH)	ØP	T	L	E	A	B	H (Hex)	ORIFICE	WEIGHT (g)	BOX (EA)
EY5/32U	5/32	10.5	UNF 10/32	38.1	21.0	3.6	16.2	7/16	2.5	10.6	100
EY5/32N1			NPT 1/8	41.7		8.5		7/16	3.0	11.6	100
EY5/32N2			NPT 1/4	44.7		10.5		9/16	3.0	17.6	50
EY3/16U	3/16	11.5	UNF 10/32	41.8	23.0	3.6	16.8	7/16	3.0	10.4	50
EY3/16N1			NPT 1/8	45.4		8.5		7/16	3.0	11.4	50
EY3/16N2			NPT 1/4	48.4		10.5		9/16	3.0	17.4	50
EY3/16N3			NPT 3/8	49.4		11.5		11/16	3.0	19.4	50
EY1/4U	1/4	13.0	UNF 10/32	45.8	26.0	3.6	17.3	1/2	2.5	15.4	50
EY1/4N1			NPT 1/8	47.7		8.5		1/2	4.5	18.4	50
EY1/4N2			NPT 1/4	50.4		10.5		9/16	4.5	19.4	50
EY1/4N3			NPT 3/8	51.4		11.5		11/16	4.5	31.4	50
EY5/16N1	5/16	14.5	NPT 1/8	47.0	29.0	8.5	18.2	9/16	6.0	19.4	50
EY5/16N2			NPT 1/4	49.0		10.5		9/16	6.0	28.4	50
EY5/16N3			NPT 3/8	50.0		11.5		11/16	6.0	29.4	50
EY5/16N4			NPT 1/2	53.0		14.5		7/8	6.0	49.4	25
EY3/8N1	3/8	17.5	NPT 1/8	52.7	35.0	8.5	19.9	11/16	5.0	28.4	25
EY3/8N2			NPT 1/4	54.7		10.5		11/16	7.0	36.4	25
EY3/8N3			NPT 3/8	55.7		11.5		11/16	7.0	38.4	25
EY3/8N4			NPT 1/2	58.7		14.5		7/8	7.0	58.4	25
EY1/2N2	1/2	21.0	NPT 1/4	64.6	42.0	10.5	23.0	3/4	7.0	58.0	25
EY1/2N3			NPT 3/8	65.6		11.5		3/4	7.0	68.0	25
EY1/2N4			NPT 1/2	68.6		14.5		7/8	7.0	78.0	20

액세서리
원터치피팅
컴팩트 원터치피팅
투터치피팅
SC, SCS
SC-F
ASCM
KAS2000 /4000
KAS500 /600
SCPV
KHVC
KHVF
KHVU
KHVM
KHBVU
SH

ELL series

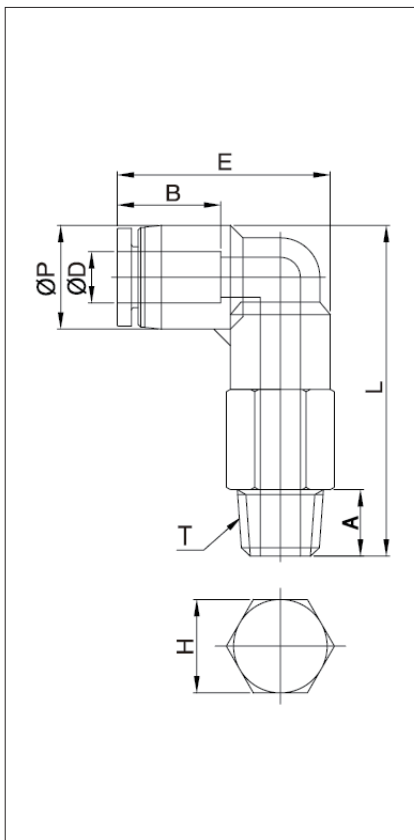


수나사 연장식 L자형

EL과 동일하나 배관시의 간섭을 방지하기 위해 길이를 연장

외형치수도 (R(PT)나사)

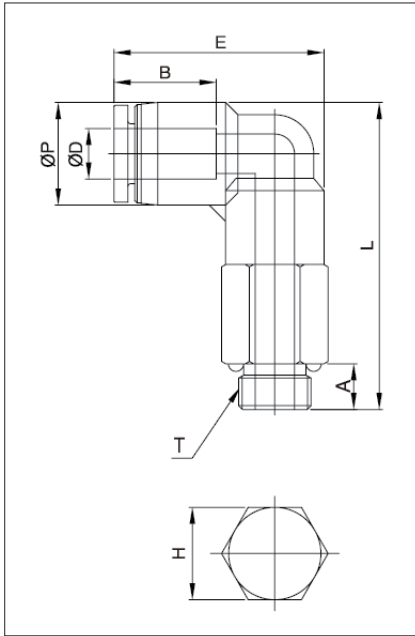
단위 : mm



모델	ØD	ØP	T	L	E	A	B	H (Hex)	ORIFICE	WEIGHT (g)	BOX (EA)
ELL04M5	4	10.5	M5X0.8	38.8	23.8	4.6	16.8	10	2.0	15.8	50
ELL04M6			M6X1.0	38.5		4.3		10	3.0	15.8	50
ELL0401			R(PT) 1/8	40.8		8.0		10	3.0	15.8	50
ELL0402			R(PT) 1/4	42.8		10.0		14	3.0	26.8	50
ELL0403	R(PT) 3/8	43.8	11.0	17	3.0	40.8	50				
ELL06M5	6	12.5	M5X0.8	44.3	26.5	4.6	17.6	12	2.0	27.7	50
ELL06M6			M6X1.0	44.0		4.3		12	3.0	27.7	50
ELL0601			R(PT) 1/8	46.3		8.0		12	4.0	27.7	50
ELL0602			R(PT) 1/4	48.3		10.0		14	4.0	34.7	50
ELL0603			R(PT) 3/8	49.3		11.0		17	4.5	45.7	50
ELL0604			R(PT) 1/2	52.3		14.0		21	4.0	69.7	25
ELL0801	8	14.8	R(PT) 1/8	51.2	29.7	8.0	18.7	14	6.0	35.7	50
ELL0802			R(PT) 1/4	53.2		10.0		14	6.0	39.7	50
ELL0803			R(PT) 3/8	54.2		11.0		17	6.0	55.7	25
ELL0804			R(PT) 1/2	57.2		14.0		22	6.0	99.7	25
ELL1001	10	17.5	R(PT) 1/8	48.5	32.1	8.0	19.6	17	6.0	60.2	25
ELL1002			R(PT) 1/4	50.5		10.0		17	7.0	64.2	25
ELL1003			R(PT) 3/8	51.5		11.0		17	7.0	63.2	25
ELL1004			R(PT) 1/2	54.5		14.0		22	7.0	99.2	25
ELL1201	12	20.5	R(PT) 1/8	64.2	36.9	8.0	21.9	19	8.0	89.1	25
ELL1202			R(PT) 1/4	66.2		10.0		19	8.0	89.1	25
ELL1203			R(PT) 3/8	67.2		11.0		19	10.0	89.1	25
ELL1204			R(PT) 1/2	70.2		14.0		22	10.0	106.1	25

외형치수도 (G나사)

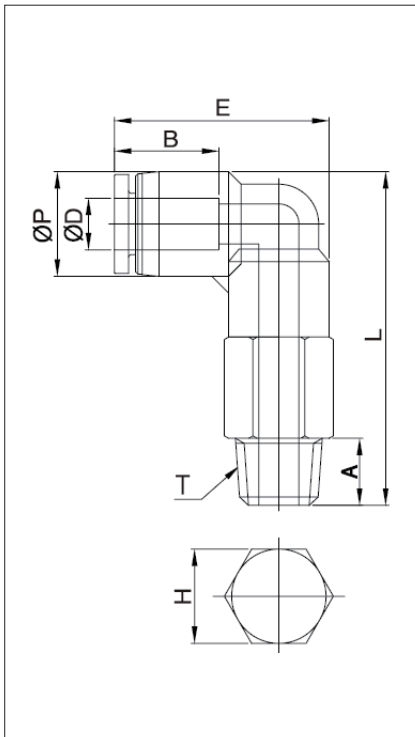
단위 : mm



모델	ØD	ØP	T	L	E	A	B	H (Hex)	ORIFICE	WEIGHT (g)	BOX (EA)
ELL04G01	4	10.5	G 1/8	39.4	23.8	5.0	16.8	14	2.0	26.8	50
ELL04G02			G 1/4	41.4		6.5		17	2.0	38.8	50
ELL04G03			G 3/8	42.9		6.5		20	2.0	53.8	50
ELL06G01	6	12.5	G 1/8	45.6	26.5	5.0	17.6	14	4.0	30.7	50
ELL06G02			G 1/4	47.6		6.5		17	4.0	41.7	50
ELL06G03			G 3/8	48.6		6.5		20	4.0	55.7	50
ELL08G01	8	14.5	G 1/8	50.9	29.7	5.0	18.7	14	6.0	33.7	50
ELL08G02			G 1/4	52.9		6.5		17	6.0	50.7	50
ELL08G03			G 3/8	53.9		6.5		20	6.0	61.7	25
ELL08G04			G 1/2	54.9		8.0		24	6.0	101.7	25
ELL10G01	10	17.5	G 1/8	55.4	32.1	5.0	19.6	17	6.0	58.2	25
ELL10G02			G 1/4	57.4		6.5		17	8.0	55.2	25
ELL10G03			G 3/8	58.4		6.5		20	8.0	72.2	25
ELL10G04			G 1/2	59.4		8.0		24	8.0	102.2	25
ELL12G02	12	20.5	G 1/4	66.4	36.9	6.5	21.9	19	8.0	82.1	25
ELL12G03			G 3/8	67.4		6.5		20	10.0	84.1	25
ELL12G04			G 1/2	68.4		8.0		24	10.0	118.1	25

외형치수도 (NPT나사)

단위 : mm



모델	ØD (INCH)	ØP	T	L	E	A	B	H (Hex)	ORIFICE	WEIGHT (g)	BOX (EA)
ELL5/32U	5/32	10.5	UNF 10/32	32.5	18.6	3.6	16.2	7/16	2.0	15.8	100
ELL5/32N1			NPT 1/8	35.5		8.5		7/16	3.0	17.8	100
ELL5/32N2			NPT 1/4	38.5		10.5		9/16	3.0	31.8	50
ELL3/16U	3/16	11.5	UNF 10/32	32.5	19.1	3.6	16.8	7/16	2.0	15.7	50
ELL3/16N1			NPT 1/8	35.5		8.5		7/16	3.0	17.7	50
ELL3/16N2			NPT 1/4	38.5		10.5		9/16	3.0	31.7	50
ELL3/16N3	NPT 3/8	38.5	11.5	11/16	3.0	39.7	50				
ELL1/4U	1/4	13.0	UNF 10/32	37.5	20.4	3.6	17.3	1/2	2.0	27.7	50
ELL1/4N1			NPT 1/8	41.3		8.5		1/2	4.5	28.7	50
ELL1/4N2			NPT 1/4	44.0		10.5		9/16	4.5	34.7	50
ELL1/4N3	NPT 3/8	45.0	11.5	11/16	4.5	49.7	50				
ELL5/16N1	5/16	14.5	NPT 1/8	44.4	22.3	8.5	18.2	9/16	6.0	35.7	50
ELL5/16N2			NPT 1/4	46.4		10.5		9/16	6.0	39.7	50
ELL5/16N3			NPT 3/8	50.4		11.5		11/16	6.0	59.7	25
ELL3/8N2	3/8	17.5	NPT 1/4	50.0	23.9	10.5	19.9	11/16	7.0	64.2	25
ELL3/8N3			NPT 3/8	51.0		11.5		11/16	7.0	69.2	25
ELL3/8N4			NPT 1/2	54.0		14.5		7/8	7.0	99.2	20
ELL1/2N2	1/2	21.0	NPT 1/4	57.5	28.5	10.5	23.0	3/4	8.0	89.0	20
ELL1/2N3			NPT 3/8	58.5		11.5		3/4	9.0	119.0	20
ELL1/2N4			NPT 1/2	61.5		14.5		7/8	9.0	159.0	20

- 액세서리
- 원터치피팅
- 콤팩트 원터치피팅
- 투터치피팅
- SC, SCS
- SC-F
- ASCM
- KAS2000 /4000
- KAS500 /600
- SCPV
- KHVC
- KHVF
- KHVU
- KHVM
- KHBVU
- SH

EST series

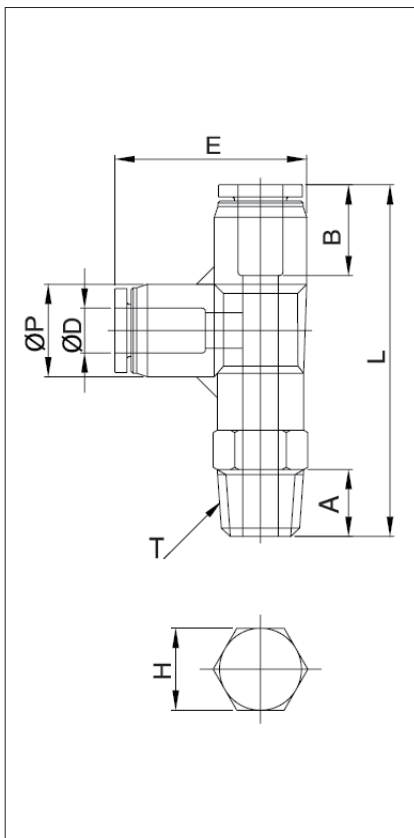


수나사 2방향 L자형

암나사 측에 같은 방향과 직각 방향의 튜브 배관에 사용

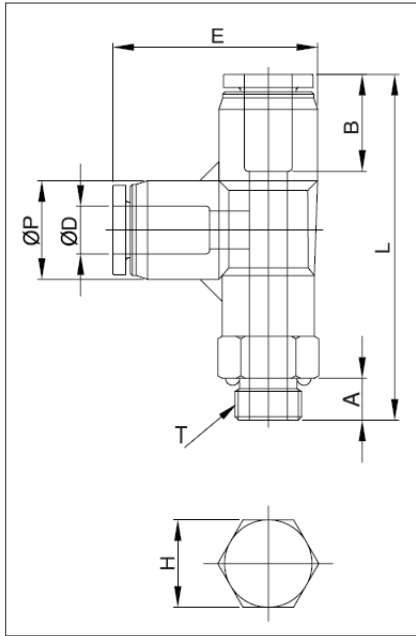
외형치수도 (R(PT)나사)

단위 : mm



모델	ØD	ØP	T	L	E	A	B	H (Hex)	ORIFICE	WEIGHT (g)	BOX (EA)
EST04M5	4	10.5	M5X0.8	42.3	25.1	4.6	16.8	10	2.0	10.6	100
EST04M6			M6X1.0	41.3		4.1		10	2.5	10.6	100
EST0401			R(PT) 1/8	45.3		8.0		10	3.0	11.6	100
EST0402			R(PT) 1/4	48.3		10.0		14	3.0	17.6	100
EST0403			R(PT) 3/8	48.3		11.0		17	3.0	26.6	50
EST06M5			6	12.5		M5X0.8		46.1	28.1	4.6	17.6
EST06M6	M6X1.0	44.6			4.1	12	3.0	15.4		50	
EST0601	R(PT) 1/8	48.6			8.0	12	4.5	17.4		50	
EST0602	R(PT) 1/4	51.2			10.0	14	4.5	25.4		50	
EST0603	R(PT) 3/8	52.2			11.0	17	4.5	29.4		50	
EST0604	R(PT) 1/2	55.5			14.0	21	4.5	32.4		25	
EST0801	8	14.8	R(PT) 1/8	52.2	30.9	8.0	18.7	14	6.0	22.4	50
EST0802			R(PT) 1/4	55.2		10.0		14	6.0	27.4	50
EST0803			R(PT) 3/8	56.2		11.0		17	6.0	34.4	50
EST0804			R(PT) 1/2	59.2		14.0		21	6.5	53.4	25
EST1001	10	17.5	R(PT) 1/8	55.6	34.6	8.0	19.6	17	6.0	28.4	25
EST1002			R(PT) 1/4	58.6		10.0		17	7.0	34.4	25
EST1003			R(PT) 3/8	59.6		11.0		17	7.0	38.4	25
EST1004			R(PT) 1/2	62.6		14.0		21	7.0	58.4	25
EST1201	12	20.5	R(PT) 1/8	62.8	40.3	8.0	21.9	19	6.0	47.8	25
EST1202			R(PT) 1/4	64.8		10.0		19	7.0	50.8	25
EST1203			R(PT) 3/8	65.8		11.0		19	10.0	53.8	25
EST1204			R(PT) 1/2	68.8		14.0		21	10.0	61.8	20

외형치수도 (G나사)

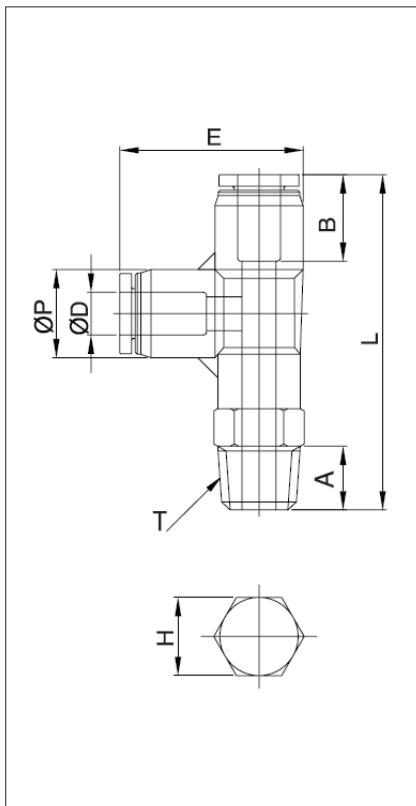


단위 : mm

모델	ØD	ØP	T	L	E	A	B	H (Hex)	ORIFICE	WEIGHT (g)	BOX (EA)
EST04G01	4	10.5	G 1/8	42.8	25.1	5.0	16.8	14	3.0	14.6	100
EST04G02			G 1/4	44.8		6.5		17		18.6	100
EST04G03			G 3/8	44.3		6.5		20		23.6	50
EST06G01	6	12.5	G 1/8	46.9	28.1	5.0	17.6	14	4.0	16.4	50
EST06G02			G 1/4	48.9		6.5		17		22.4	50
EST06G03			G 3/8	49.9		6.5		20		27.4	50
EST08G01	8	14.5	G 1/8	50.1	30.9	5.0	18.7	14	6.0	19.4	50
EST08G02			G 1/4	52.1		6.5		17		25.4	50
EST08G03			G 3/8	53.1		6.5		20		30.4	50
EST08G04			G 1/2	54.1		8.0		24		40.4	25
EST10G01	10	17.5	G 1/8	53.8	34.6	5.0	19.6	17	8.0	28.4	25
EST10G02			G 1/4	55.8		6.5		17		28.4	25
EST10G03			G 3/8	56.8		6.5		20		34.4	25
EST10G04			G 1/2	57.8		8.0		24		48.4	25
EST12G02	12	20.5	G 1/4	62.2	40.3	6.5	21.9	19	10.0	43.2	25
EST12G03			G 3/8	63.2		6.5		20		43.2	25
EST12G04			G 1/2	64.2		8.0		24		55.2	20

액세서리
원터치피팅
컴팩트 원터치피팅
투터치피팅
SC, SCS
SC-F
ASCM
KAS2000 /4000
KAS500 /600

외형치수도 (NPT나사)



단위 : mm

모델	ØD (INCH)	ØP	T	L	E	A	B	H (Hex)	ORIFICE	WEIGHT (g)	BOX (EA)
EST5/32U	5/32	10.5	UNF 10/32	42.1	25.0	3.6	16.2	7/16	2.5	9.6	100
EST5/32N1			NPT 1/8	45.7		8.5		7/16	3.0	11.6	100
EST5/32N2			NPT 1/4	48.7		10.5		9/16	3.0	15.6	50
EST3/16U	3/16	11.5	UNF 10/32	41.5	25.1	3.6	16.8	7/16	3.0	9.4	50
EST3/16N1			NPT 1/8	45.1		8.5		7/16	3.0	11.4	50
EST3/16N2			NPT 1/4	48.1		10.5		9/16	3.0	15.4	50
EST3/16N3			NPT 3/8	49.1		11.5		11/16	3.0	19.4	50
EST1/4U	1/4	13.0	UNF 10/32	47.4	28.0	3.6	17.3	1/2	2.5	14.4	50
EST1/4N1			NPT 1/8	49.3		8.5		1/2	4.5	16.4	50
EST1/4N2			NPT 1/4	52.0		10.5		9/16	4.5	22.4	50
EST1/4N3			NPT 3/8	53.0		11.5		11/16	4.5	42.4	50
EST5/16N1	5/16	14.5	NPT 1/8	53.7	30.9	8.5	18.2	9/16	6.0	22.4	50
EST5/16N2			NPT 1/4	55.7		10.5		9/16	6.0	26.4	50
EST5/16N3			NPT 3/8	56.7		11.5		11/16	6.0	30.4	50
EST5/16N4			NPT 1/2	59.7		14.5		7/8	6.0	50.4	25
EST3/8N1	3/8	17.5	NPT 1/8	63.3	34.7	8.5	19.9	11/16	5.0	34.4	25
EST3/8N2			NPT 1/4	65.3		10.5		11/16	7.0	38.4	25
EST3/8N3			NPT 3/8	66.3		11.5		11/16	7.0	43.4	25
EST3/8N4			NPT 1/2	69.3		14.5		7/8	7.0	58.4	25
EST1/2N2	1/2	21.0	NPT 1/4	57.3	40.8	10.5	23.0	3/4	8.0	45.0	25
EST1/2N3			NPT 3/8	58.3		11.5		3/4	10.0	54.0	25
EST1/2N4			NPT 1/2	61.3		14.5		7/8	10.0	74.0	20

SCPV
KHVC
KHVF
KHVU
KHVM
KHBVU
SH

EPFC series

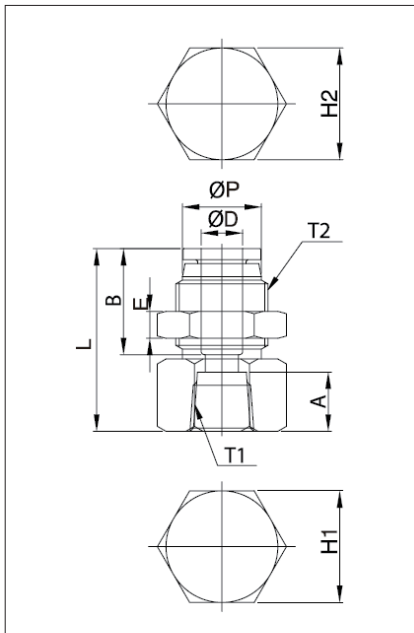


패널용 암나사 일자형

패널에 취부 하여 수나사측에 같은 방향의 튜브 배관에 사용

외형치수도 (Rc(PT)나사)

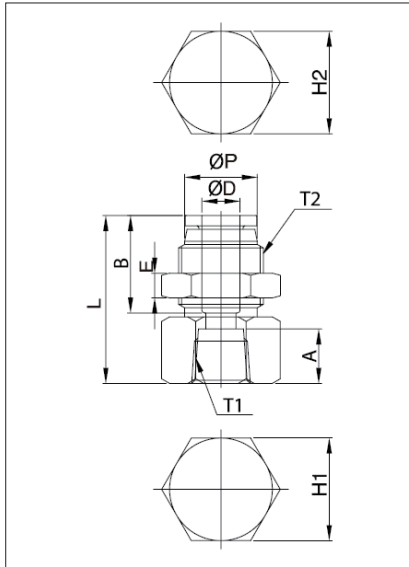
단위 : mm



모델	ØD	ØP	T1	T2	L	E	A	B	H1 (Hex)	H2 (Hex)	ORIFICE	WEIGHT (g)	BOX (EA)
EPFC0401	4	10.0	Rc(PT) 1/8	M12×1.0P	26.7	4	8.0	16.8	14	14	3.0	19.8	100
EPFC0402			Rc(PT) 1/4		28.7		17		24.8			100	
EPFC0403			Rc(PT) 3/8		29.7		22		37.8			50	
EPFC0601	6	12.0	Rc(PT) 1/8	M14×1.0P	28.3	4	8.0	17.6	17	17	5.0	33.8	100
EPFC0602			Rc(PT) 1/4		30.3		17		27.8			100	
EPFC0603			Rc(PT) 3/8		31.3		22		42.8			50	
EPFC0801	8	14.0	Rc(PT) 1/8	M16×1.0P	29.5	5	8.0	18.7	19	19	6.0	43.7	50
EPFC0802			Rc(PT) 1/4		31.5		19		38.7			50	
EPFC0803			Rc(PT) 3/8		32.5		22		44.7			50	
EPFC0804			Rc(PT) 1/2		34.5		24		45.7			25	
EPFC1001	10	16.1	Rc(PT) 1/8	M20×1.0P	30.4	5	8.0	19.6	24	24	8.0	76.5	50
EPFC1002			Rc(PT) 1/4		32.4		24		70.5			50	
EPFC1003			Rc(PT) 3/8		33.4		24		63.5			25	
EPFC1004			Rc(PT) 1/2		36.2		24		54.5			25	
EPFC1202	12	19.0	Rc(PT) 1/4	M22×1.0P	37.9	5	10.0	21.9	24	26	10.0	81.3	25
EPFC1203			Rc(PT) 3/8		37.9		24		72.3			25	
EPFC1204			Rc(PT) 1/2		39.9		24		65.3			25	

외형치수도 (G나사)

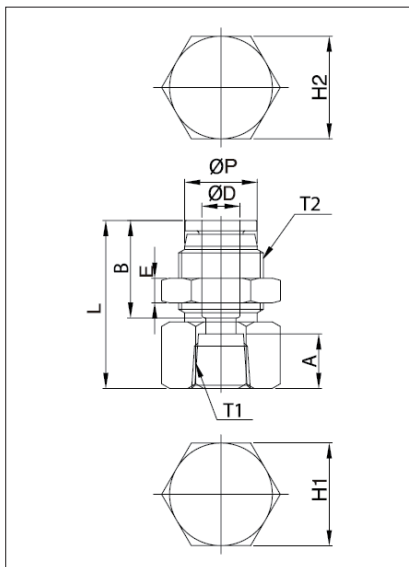
단위 : mm



모델	ØD	ØP	T1	T2	L	E	A	B	H1 (Hex)	H2 (Hex)	ORIFICE	WEIGHT (g)	BOX (EA)
EPFC04G01	4	10.0	G 1/8	M12X1.0P	26.7	4	8.0	16.8	14	14	3.0	17.8	100
EPFC04G02			G 1/4		28.7				17	14		23.8	100
EPFC04G03			G 3/8		29.7				22	14		36.8	50
EPFC06G01	6	12.0	G 1/8	M14X1.0P	28.3	4	8.0	17.6	17	17	5.0	32.8	100
EPFC06G02			G 1/4		30.3				17	17		26.8	100
EPFC06G03			G 3/8		31.3				22	17		40.8	50
EPFC08G01	8	14.0	G 1/8	M16X1.0P	29.5	5	8.0	18.7	19	19	6.0	42.7	50
EPFC08G02			G 1/4		31.5				19	19		37.7	50
EPFC08G03			G 3/8		32.5				22	19		43.7	50
EPFC10G02	10	16.1	G 1/4	M20X1.0P	32.4	5	10.0	19.6	24	24	8.0	69.5	50
EPFC10G03			G 3/8		33.4				24	24		61.5	25
EPFC10G04			G 1/2		36.2				24	24		52.5	25
EPFC12G02	12	19.0	G 1/4	M22X1.0P	37.9	5	10.0	21.9	24	26	10.0	80.3	25
EPFC12G03			G 3/8		37.9				24	26		72.3	25
EPFC12G04			G 1/2		39.9				24	26		64.3	25

외형치수도 (NPT나사)

단위 : mm



모델	ØD (INCH)	ØP	T1	T2	L	E	A	B	H1 (Hex)	H2 (Hex)	ORIFICE	WEIGHT (g)	BOX (EA)
EPFC5/32N1	5/32	10.0	NPT 1/8	M12X1.0P	27.1	4	8.5	16.3	9/16	14	3.0	19.8	100
EPFC3/16N1	3/16	11.1	NPT 1/8	M12X1.0P	28.3	4	8.5	16.8	11/16	14	4.0	19.8	100
EPFC3/16N2			NPT 1/4		30.3				11/16			24.8	100
EPFC1/4N1	1/4	13.0	NPT 1/8	M14X1.0P	30.9	4	8.5	17.4	11/16	17	5.0	33.8	100
EPFC1/4N2			NPT 1/4		30.9				11/16			27.8	100
EPFC5/16N1	5/16	14.0	NPT 1/8	M16X1.0P	29.5	5	8.5	18.7	3/4	19	6.0	43.7	50
EPFC5/16N2			NPT 1/4		31.5				3/4			38.7	50
EPFC5/16N3			NPT 3/8		32.5				7/8			45.7	50
EPFC3/8N2	3/8	16.7	NPT 1/4	M20X1.0P	33.3	5	10.5	20.2	15/16	24	8.0	71.4	50
EPFC3/8N3			NPT 3/8		34.3				15/16			64.4	50
EPFC1/2N2	1/2	20.3	NPT 1/4	M22X1.0P	39.0	5	10.5	22.0	15/16	26	10.0	78.1	25
EPFC1/2N3			NPT 3/8		39.0				15/16			88.1	25
EPFC1/2N4			NPT 1/2		41.0				15/16			68.1	25

액세서리
원터치피팅
콤팩트 원터치피팅
투터치피팅
SC, SCS
SC-F
ASCM
KAS2000 /4000
KAS500 /600
SCPV
KHVC
KHVF
KHVU
KHVM
KHBVU
SH

EFC series

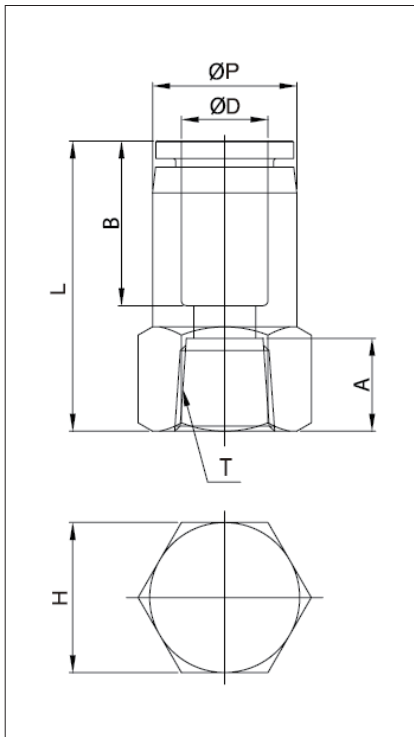


암나사 일자형

수나사측에 같은 방향의 튜브 배관에 사용

외형치수도 (Rc(PT)나사)

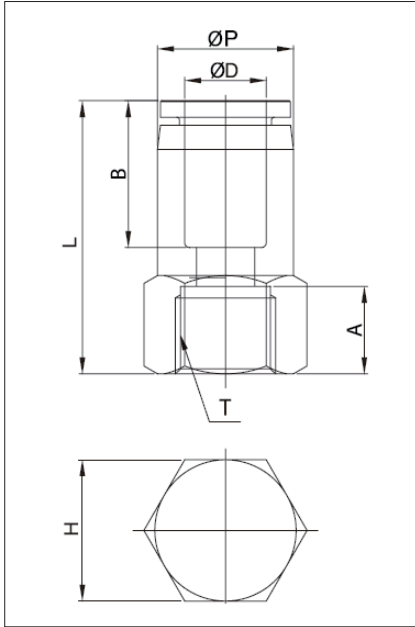
단위 : mm



모델	ØD	ØP	T	L	A	B	H (Hex)	ORIFICE	WEIGHT (g)	BOX (EA)
EFC04M5	4	10.0	M5X0.8	25.6	7.0	15.9	12	3.5	8.8	100
EFC0401			Rc(PT) 1/8	26.7	8.0		14	3.5	15.8	100
EFC0402			Rc(PT) 1/4	28.7	10.0		17	3.5	19.8	100
EFC0403			Rc(PT) 3/8	29.7	11.0		22	3.5	33.8	100
EFC06M5	6	12.0	M5X0.8	25.8	7.0	16.5	12	4.2	10.8	100
EFC0601			Rc(PT) 1/8	27.3	8.0		14	5.0	17.8	100
EFC0602			Rc(PT) 1/4	29.3	10.0		17	5.0	23.8	100
EFC0603			Rc(PT) 3/8	30.2	11.0		22	5.0	35.8	50
EFC0604	Rc(PT) 1/2	32.2	14.0	24	5.0	39.8	50			
EFC0801	8	14.0	Rc(PT) 1/8	28.5	8.0	17.7	14	6.0	18.7	100
EFC0802			Rc(PT) 1/4	30.5	10.0		17	6.0	25.7	100
EFC0803			Rc(PT) 3/8	31.5	11.0		22	6.0	38.7	50
EFC0804			Rc(PT) 1/2	33.5	14.0		24	6.0	45.7	50
EFC1001	10	16.4	Rc(PT) 1/8	31.4	8.0	18.6	17	8.5	31.5	100
EFC1002			Rc(PT) 1/4	31.5	10.0		17	8.5	26.5	100
EFC1003			Rc(PT) 3/8	32.4	11.0		22	8.5	39.5	50
EFC1004			Rc(PT) 1/2	34.4	14.0		24	8.5	40.5	50
EFC1202	12	18.6	Rc(PT) 1/4	34.7	10.0	20.9	22	10.0	53.3	50
EFC1203			Rc(PT) 3/8	34.7	11.0		22	10.0	43.3	50
EFC1204			Rc(PT) 1/2	36.7	14.0		24	10.0	49.3	25

외형치수도 (G나사)

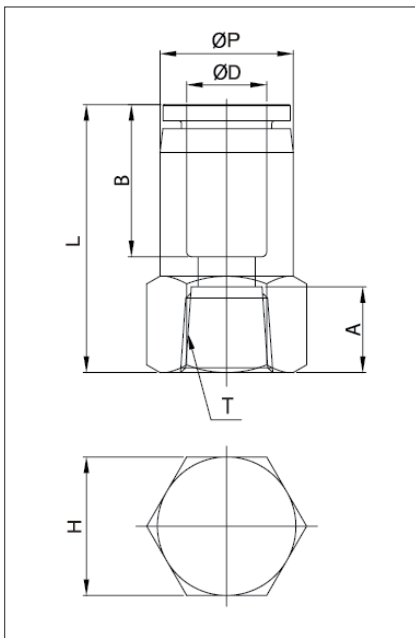
단위 : mm



모델	ØD	ØP	T	L	A	B	H (Hex)	ORIFICE	WEIGHT (g)	BOX (EA)
EFC04G01	4	10.0	G 1/8	28.6	8.0	15.9	14	3.0	14.8	100
EFC04G02			G 1/4	29.6	10.0		17	3.0	19.8	100
EFC04G03			G 3/8	30.6	11.0		22	3.5	32.8	100
EFC06G01	6	12.0	G 1/8	30.0	8.0	16.5	14	5.0	15.8	100
EFC06G02			G 1/4	31.0	10.0		17	5.0	21.8	100
EFC06G03			G 3/8	32.0	11.0		22	5.0	34.8	50
EFC08G01	8	14.0	G 1/8	31.0	8.0	17.7	14	6.0	17.7	100
EFC08G02			G 1/4	32.0	10.0		17	6.0	23.7	100
EFC08G03			G 3/8	33.0	11.0		22	6.0	36.7	50
EFC08G04			G 1/2	35.0	14.0		24	6.0	36.7	50
EFC10G01	10	16.4	G 1/8	31.7	8.0	18.6	17	8.0	30.5	100
EFC10G02			G 1/4	32.7	10.0		17	8.0	25.5	100
EFC10G03			G 3/8	33.7	11.0		22	8.0	39.5	50
EFC10G04			G 1/2	35.7	14.0		24	8.0	39.5	50
EFC12G02	12	18.6	G 1/4	36.4	10.0	20.9	22	10.0	52.3	50
EFC12G03			G 3/8	36.4	11.0		22	10.0	44.3	50
EFC12G04			G 1/2	38.4	14.0		24	10.0	44.3	25

외형치수도 (NPT나사)

단위 : mm



모델	ØD (INCH)	ØP	T	L	A	B	H (Hex)	ORIFICE	WEIGHT (g)	BOX (EA)
EFC5/32N1	5/32	10.0	NPT 1/8	27.6	8.5	15.3	9/16	3.5	15.8	100
EFC5/32N2			NPT 1/4	29.6	10.5		11/16	3.5	19.8	100
EFC3/16N1	3/16	11.1	NPT 1/8	28.2	8.5	16.8	9/16	4.0	15.8	100
EFC3/16N2			NPT 1/4	30.2	10.5		11/16	4.0	19.8	100
EFC1/4N1	1/4	13.0	NPT 1/8	28.7	8.5	17.4	9/16	5.0	18.8	100
EFC1/4N2			NPT 1/4	30.7	10.5		11/16	5.0	23.8	100
EFC1/4N3			NPT 3/8	32.7	11.5		7/8	5.0	39.8	50
EFC5/16N1	5/16	14.0	NPT 1/8	29.0	8.5	18.7	9/16	6.0	18.7	100
EFC5/16N2			NPT 1/4	31.0	10.5		11/16	6.0	25.7	100
EFC5/16N3			NPT 3/8	32.0	11.5		7/8	6.0	38.7	50
EFC5/16N4			NPT 1/2	35.9	14.5		15/16	6.0	45.7	50
EFC3/8N1	3/8	16.7	NPT 1/8	31.8	8.5	20.2	11/16	8.0	29.4	100
EFC3/8N2			NPT 1/4	32.6	10.5		11/16	8.0	26.4	100
EFC3/8N3			NPT 3/8	34.1	11.5		7/8	8.0	39.4	50
EFC3/8N4			NPT 1/2	37.8	14.5		15/16	8.0	41.4	25
EFC1/2N2	1/2	20.6	NPT 1/4	36.2	10.5	22.0	7/8	10.0	53.1	25
EFC1/2N3			NPT 3/8	37.6	11.5		7/8	10.0	45.1	25

액세서리
원터치피팅
콤팩트 원터치피팅
투터치피팅
SC, SCS
SC-F
ASCM
KAS2000 /4000
KAS500 /600
SCPV
KHVC
KHVF
KHVU
KHVM
KHBVU
SH

EH series

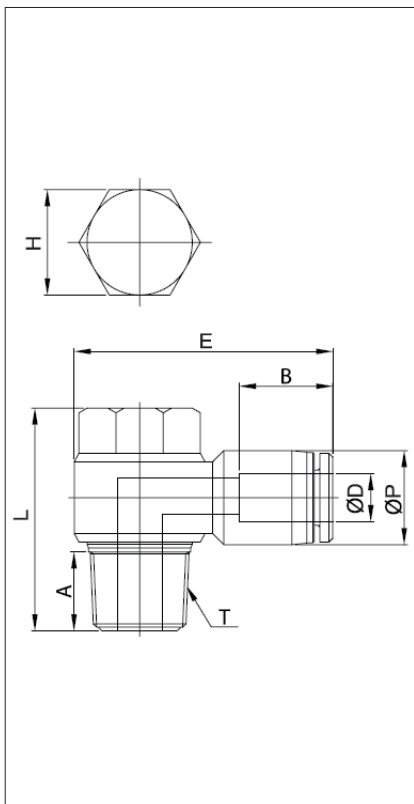


육각머리 수나사 L자형

EL 과 동일하나 육각머리를 렌치로 체결 가능한 피팅

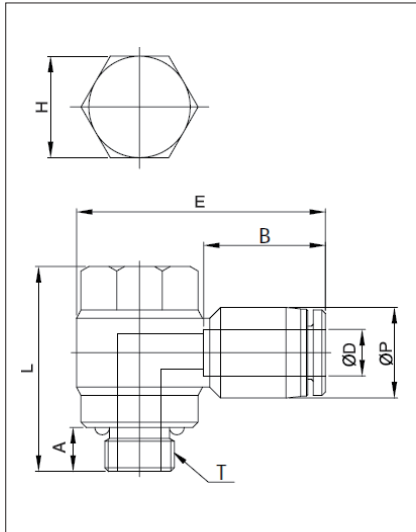
외형치수도 (R(PT)나사)

단위 : mm



모델	ØD	ØP	T	L	E	A	B	H (Hex)	ORIFICE	WEIGHT (g)	BOX (EA)
EH03M5	3	7.8	M5X0.8	18.2	21.5	3.6	11.1	8	1.5	7.0	100
EH04M5	4	10.5	M5X0.8	18.2	25.1	3.6	16.3	8	1.5	7.8	50
EH04M6			M6X1.0	20.7	25.1	4.1		8	2.0	8.8	50
EH0401			R(PT) 1/8	25.0	30.5	8.0		11	3.0	14.8	50
EH0402			R(PT) 1/4	28.8	34.5	10.0		15	3.2	25.8	50
EH06M5	6	12.5	M5X0.8	18.2	27.8	3.6	17.6	8	2.0	8.7	50
EH06M6			M6X1.0	20.7	27.8	4.1		8	2.0	9.7	50
EH0601			R(PT) 1/8	25.0	31.2	8.0		11	3.0	15.7	50
EH0602			R(PT) 1/4	28.8	35.0	10.0		15	4.5	26.7	50
EH0603			R(PT) 3/8	32.7	38.7	11.0		19	4.3	49.7	25
EH0604			R(PT) 1/2	39.4	44.9	14.0		24	5.0	73.7	25
EH0801	8	14.8	R(PT) 1/8	25.0	33.0	8.0	18.7	11	3.0	15.7	50
EH0802			R(PT) 1/4	28.8	36.8	10.0		15	4.5	26.7	50
EH0803			R(PT) 3/8	32.7	40.1	11.0		19	4.3	44.7	25
EH0804			R(PT) 1/2	39.4	45.8	14.0		24	6.0	75.7	25
EH1001	10	17.5	R(PT) 1/8	25.0	35.0	8.0	19.6	11	3.0	16.2	25
EH1002			R(PT) 1/4	28.8	38.8	10.0		15	4.5	29.2	25
EH1003			R(PT) 3/8	32.7	42.2	11.0		19	4.3	46.2	25
EH1004			R(PT) 1/2	39.4	47.5	14.0		24	6.0	79.2	20
EH1202	12	20.5	R(PT) 1/4	28.8	40.8	10.0	21.9	15	4.5	32.1	25
EH1203			R(PT) 3/8	32.7	45.9	11.0		19	4.3	54.1	25
EH1204			R(PT) 1/2	39.4	50.1	14.0		24	6.0	74.1	20

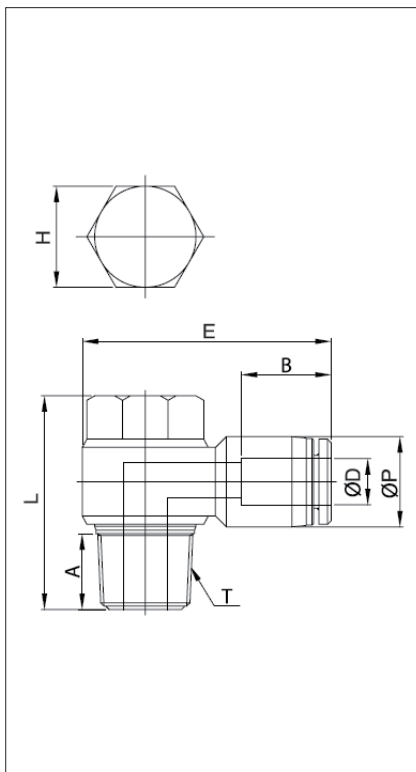
외형치수도 (G나사)



단위 : mm

모델	ØD	ØP	T	L	E	A	B	H (Hex)	ORIFICE	WEIGHT (g)	BOX (EA)
EH04G01	4	10.5	G 1/8	23.5	32.4	4.5	16.3	8	3.0	14.8	50
EH04G02			G 1/4	28.0	34.2	6.0		12	3.2	24.8	50
EH06G01	6	12.5	G 1/8	23.5	33.5	4.5	17.6	8	3.0	15.7	50
EH06G02			G 1/4	28.0	37.3	6.0		12	4.5	23.7	50
EH06G03			G 3/8	32.5	39.8	6.0		14	5.0	47.7	25
EH08G01	8	14.5	G 1/8	23.5	34.2	4.5	18.7	8	3.0	16.7	50
EH08G02			G 1/4	28.0	38.3	6.0		12	4.5	25.7	50
EH08G03			G 3/8	32.5	41.8	6.0		14	6.0	49.7	25
EH08G04			G 1/2	34.0	45.9	7.5		19	6.5	68.7	25
EH10G02	10	17.5	G 1/4	28.0	39.5	6.0	19.6	12	4.5	27.2	25
EH10G03			G 3/8	32.5	42.5	6.0		14	6.0	50.2	25
EH10G04			G 1/2	34.0	48.6	7.5		19	8.0	73.2	20
EH12G03	12	20.5	G 3/8	32.5	44.8	6.0	21.9	14	6.0	53.1	25
EH12G04			G 1/2	34.0	50.3	7.5		19	8.0	73.1	20

외형치수도 (NPT나사)



단위 : mm

y	ØD (INCH)	ØP	T	L	E	A	B	H (Hex)	ORIFICE	WEIGHT (g)	BOX (EA)
EH1/8U	1/8	7.8	UNF 10/32	18.2	21.5	3.6	11.1	5/16	1.5	7.0	50
EH5/32U	5/32	10.5	UNF 10/32	18.2	25.1	3.6	16.3	5/16	1.5	7.8	100
EH5/32N1			NPT 1/8	25.0	30.5	8.0		7/16	3.0	23.8	50
EH5/32N2	3/16	11.5	NPT 1/4	28.8	34.5	10.0	16.8	5/16	3.2	29.8	50
EH3/16U			UNF 10/32	18.2	26.6	3.6		5/16	1.5	7.7	100
EH3/16N1			NPT 1/8	25.0	31.4	8.0		7/16	3.0	23.7	50
EH3/16N2	1/4	13.0	NPT 1/4	28.8	35.3	10.0	17.4	19/32	3.5	29.7	50
EH3/16N3			NPT 3/8	33.7	39.1	11.0		3/4	3.5	37.7	50
EH1/4U	1/4	13.0	UNF 10/32	18.2	28.7	3.6	17.4	5/16	1.5	8.7	50
EH1/4N1			NPT 1/8	25.0	32.0	8.0		7/16	3.0	23.7	50
EH1/4N2			NPT 1/4	28.8	35.9	10.0		19/32	4.5	35.7	50
EH1/4N3	5/16	14.5	NPT 3/8	33.7	39.7	11.0	18.7	3/4	6.0	44.7	25
EH5/16N1			NPT 1/8	35.0	33.0	8.0		7/16	3.0	34.7	50
EH5/16N2			NPT 1/4	28.8	36.8	10.0		19/32	4.5	36.7	50
EH5/16N3			NPT 3/8	33.7	40.1	11.0		3/4	6.0	59.7	25
EH5/16N4	3/8	17.5	NPT 1/2	39.4	45.8	14.0	20.2	15/16	6.5	96.7	20
EH3/8N2			NPT 1/4	28.8	37.5	10.0		19/32	4.5	59.2	25
EH3/8N3			NPT 3/8	33.7	42.1	11.0		3/4	6.0	89.2	25
EH3/8N4	1/2	21.0	NPT 1/2	39.4	47.3	14.0	22.0	15/16	7.0	99.2	20
EH1/2N3			NPT 3/8	33.7	45.1	11.0		3/4	6.0	65.0	25
EH1/2N4	1/2	21.0	NPT 1/2	39.4	50.5	14.0	22.0	15/16	8.0	109.0	20

액세서리
원터치피팅
컴팩트 원터치피팅
투터치피팅
SC, SCS
SC-F
ASCM
KAS2000 /4000
KAS500 /600
SCPV
KHVC
KHVF
KHVV
KHVM
KHVVU
SH

EOC series

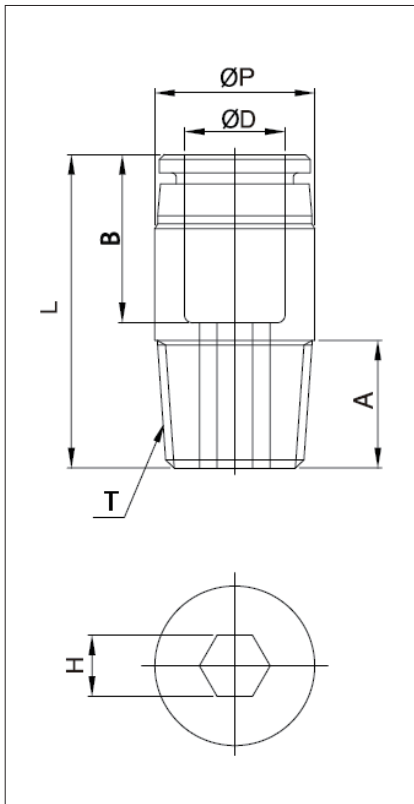


원통몸체 수나사 일자형

EC와 동일하나 원통몸체로 인해 배관시 간섭을 줄이고 육각 구멍의 렌치로 체결가능한 피팅.

외형치수도 (R(PT)나사)

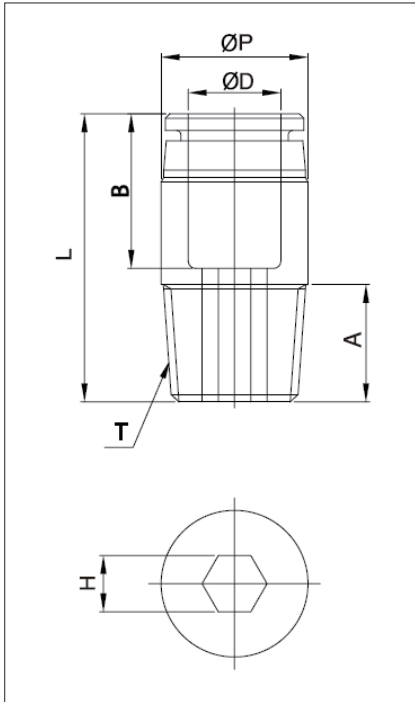
단위 : mm



모델	ØD	ØP	T	L	A	B	H (Hex)	ORIFICE	WEIGHT (g)	BOX (EA)
EOC04M5	4	10	M5X0.8	21.8	4.6	15.9	2	2.0	5.8	100
EOC04M6		10	M6X1.0	21.8	4.6		3	3.0	5.8	100
EOC0401		10	R(PT) 1/8	20.4	8.0		3	3.0	7.8	100
EOC0402		14	R(PT) 1/4	20.4	10.0		3	3.0	13.8	100
EOC0403		17	R(PT) 3/8	20.4	11.0		3	3.0	23.8	100
EOC06M5	6	12	M5X0.8	22.6	4.6	16.5	2	2.0	7.8	100
EOC06M6		12	M6X1.0	24.1	4.6		3	3.0	7.8	100
EOC0601		12	R(PT) 1/8	21.8	8.0		4	4.0	14.8	100
EOC0602		14	R(PT) 1/4	22.5	10.0		4	4.0	24.8	100
EOC0603		17	R(PT) 3/8	22.5	11.0		4	4.0	24.8	100
EOC0801	8	14	R(PT) 1/8	27.0	8.0	17.7	5	5.0	11.7	100
EOC0802		14	R(PT) 1/4	25.0	10.0		6	6.0	14.7	100
EOC0803		17	R(PT) 3/8	25.0	11.0		6	6.0	24.7	100
EOC0804		21	R(PT) 1/2	25.0	14.0		6	6.0	45.7	50
EOC1001	10	17	R(PT) 1/8	27.9	8.0	18.6	5	5.0	15.5	100
EOC1002		17	R(PT) 1/4	26.6	10.0		6	6.0	16.5	100
EOC1003		17	R(PT) 3/8	26.6	11.0		8	8.0	22.5	100
EOC1004		21	R(PT) 1/2	26.6	14.0		8	8.0	39.5	50
EOC1201	12	19	R(PT) 1/8	32.4	8.0	20.9	5	5.0	23.3	50
EOC1202		19	R(PT) 1/4	32.4	10.0		6	6.0	25.3	50
EOC1203		19	R(PT) 3/8	32.4	11.0		8	8.0	31.3	50
EOC1204		21	R(PT) 1/2	32.4	14.0		8	8.0	38.3	50

외형치수도 (NPT나사)

단위 : mm



모델	ØD (INCH)	ØP	T	L	A	B	H (Hex)	ORIFICE	WEIGHT (g)	BOX (EA)
EOC5/32U	5/32	11.0	UNF 10/32	20.8	3.5	15.3	3/32	2.4	5.8	100
EOC5/32N1		11.0	NPT 1/8	21.0	8.5		1/8	3.2	6.8	100
EOC5/32N2		14.0	NPT 1/4	22.0	10.5		1/8	3.2	13.8	100
EOC3/16U	3/16	11.0	UNF 10/32	22.4	3.5	16.9	3/32	2.4	5.8	100
EOC3/16N1		12.0	NPT 1/8	22.7	8.5		1/8	3.2	6.8	100
EOC3/16N2		14.0	NPT 1/4	23.7	10.5		1/8	3.2	13.8	100
EOC1/4U	1/4	13.0	UNF 10/32	22.9	3.5	17.4	3/32	2.4	8.8	100
EOC1/4N1		13.0	NPT 1/8	23.6	8.5		3/16	4.8	9.8	100
EOC1/4N2		14.0	NPT 1/4	23.8	10.5		3/16	4.8	12.8	100
EOC5/16N1	5/16	14.0	NPT 1/8	27.5	8.5	18.7	3/16	4.8	14.7	100
EOC5/16N2		14.0	NPT 1/4	25.5	10.5		1/4	6.4	17.7	100
EOC5/16N3		18.0	NPT 3/8	25.5	11.5		1/4	6.4	22.7	100
EOC3/8N1	3/8	18.0	NPT 1/8	28.2	8.5	20.2	3/16	4.8	23.4	100
EOC3/8N2		18.0	NPT 1/4	28.2	10.5		1/4	6.4	25.4	100
EOC3/8N3		18.0	NPT 3/8	28.2	11.5		5/16	8.0	34.4	100
EOC3/8N4		22.0	NPT 1/2	29.2	14.5		5/16	8.0	43.4	50
EOC1/2N2	1/2	21.0	NPT 1/4	35.4	10.5	22.0	1/4	6.4	31.1	50
EOC1/2N3		21.0	NPT 3/8	32.9	11.5		3/8	9.5	34.1	50
EOC1/2N4		22.0	NPT 1/2	33.0	14.5		3/8	9.5	43.1	50

- 액세서리
- 원터치피팅
 - 컴팩트 원터치피팅
 - 투터치피팅
 - SC, SCS
 - SC-F
 - ASCM
 - KAS2000 /4000
 - KAS500 /600
 - SCPV
 - KHVC
 - KHVF
 - KHVU
 - KHVM
 - KHBVU
 - SH

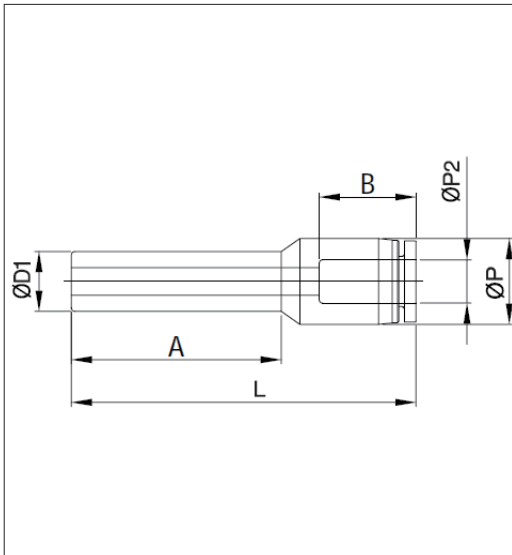
ER series



튜브 축소접속 일자형

로드를 원터치 피팅에 삽입하여 접속 튜브를 변경 가능한 일자형 피팅

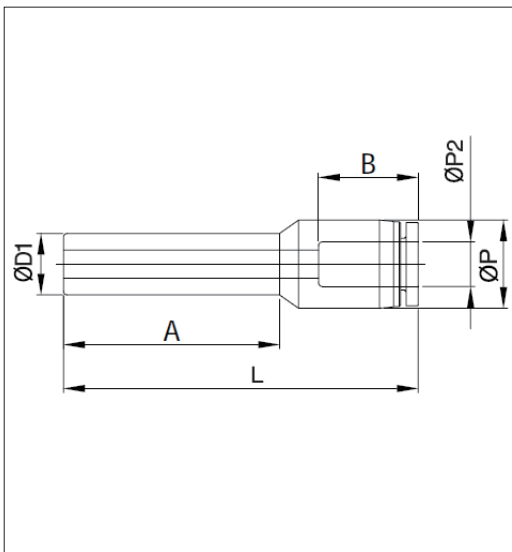
외형치수도 (METRIC)



단위 : mm

모델	ØD1	ØD2	ØP	L	A	B	ORIFICE	WEIGHT (g)	BOX (EA)
ER0604	6	4	10.5	41.0	21.7	16.3	3.0	2.8	100
ER0804	8	4	10.5	42.0	22.7	16.3	3.0	3.8	100
ER0806	8	6	12.5	44.3	23.7	17.6	4.8	4.7	100
ER1006	10	6	12.5	47.3	28.7	17.6	6.0	4.7	50
ER1008	10	8	14.8	49.7	27.7	18.7	6.8	5.7	50
ER1206	12	6	12.5	50.2	33.8	17.6	4.8	5.7	50
ER1208	12	8	14.8	52.5	30.7	18.7	8.0	6.7	50
ER1210	12	10	17.5	56.5	31.2	19.6	8.0	9.2	50

외형치수도 (INCH)



단위 : mm

모델	ØD1 (INCH)	ØD2 (INCH)	ØP	L	A	B	ORIFICE	WEIGHT (g)	BOX (EA)
ER1/8 1/4	1/8	1/4	13.0	35.8	16.5	17.4	1.3	2.7	100
ER5/32 1/8	5/32	1/8	7.6	31.7	18.5	11.3	2.0	3.0	100
ER5/32 1/4	5/32	1/4	13.0	37.8	18.5	17.4	2.0	2.7	100
ER1/4 1/8	1/4	1/8	7.6	31.7	20.9	11.3	2.5	4.0	100
ER1/4 5/32	1/4	5/32	10.5	40.4	23.5	16.3	3.4	3.8	100
ER5/16 5/32	5/16	5/32	10.5	42.9	26.0	16.3	5.0	4.8	100
ER5/16 1/4	5/16	1/4	13.0	48.0	29.7	17.4	4.0	4.7	100
ER3/8 1/4	3/8	1/4	13.0	48.0	31.3	17.4	5.6	4.7	50
ER3/8 5/16	3/8	5/16	14.5	44.7	25.0	18.7	6.5	5.7	50
ER1/2 1/4	1/2	1/4	13.0	48.3	30.9	17.4	5.7	5.7	50
ER1/2 5/16	1/2	5/16	14.5	48.5	33.2	18.7	7.0	6.7	50
ER1/2 3/8	1/2	3/8	17.5	51.8	31.8	20.2	8.0	6.2	50

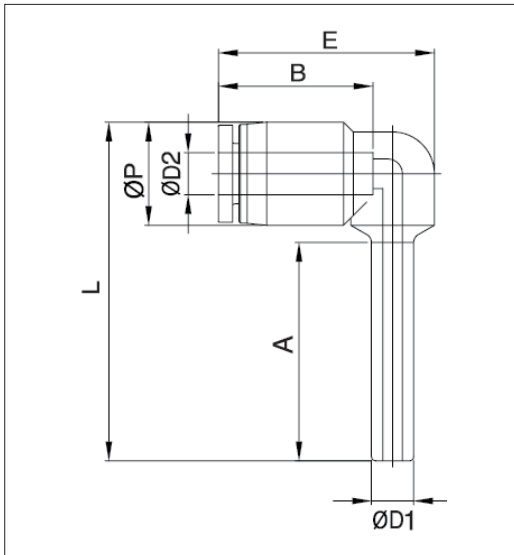
ERL series



튜브 축소접속 L자형

로드를 원터치 피팅에 삽입하여 접속 튜브를 변경 가능한 L자형 피팅

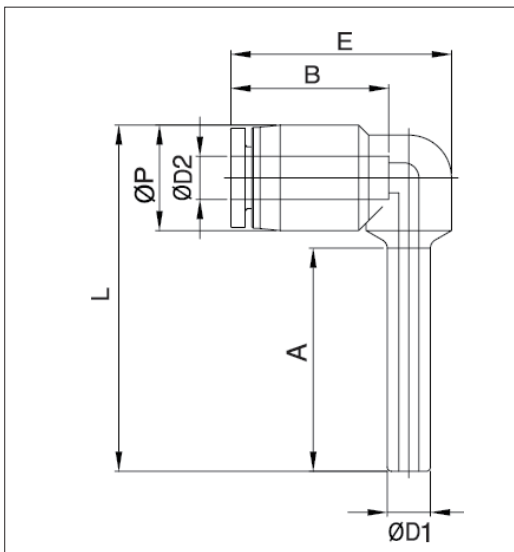
외형치수도 (METRIC)



단위 : mm

모델	ØD1	ØD2	ØP	L	E	A	B	ORIFICE	WEIGHT (g)	BOX (EA)
ERL0604	6	4	12.5	43.8	18.8	25.0	17.6	2.0	4.0	50
ERL0806	8	6	14.8	47.8	20.3	26.0	18.7	4.0	6.1	50
ERL1008	10	8	17.5	52.4	23.0	28.0	19.6	6.0	7.7	50
ERL1210	12	10	20.5	56.8	24.2	30.0	21.9	7.0	11.2	25

외형치수도 (INCH)



단위 : mm

모델	ØD1 (INCH)	ØD2 (INCH)	ØP	L	E	A	B	ORIFICE	WEIGHT (g)	BOX (EA)
ERL1/4 5/32	1/4	5/32	10.5	43.8	18.7	25.0	16.7	2.0	5.8	50
ERL5/16 1/4	5/16	1/4	13.0	48.5	20.5	26.0	17.4	4.2	7.7	50
ERL3/8 1/4	3/8	1/4	13.0	50.5	20.5	28.0	17.4	4.2	14.7	50
ERL3/8 5/16	3/8	5/16	14.5	54.3	23.1	28.0	19.1	6.0	15.7	25

액세서리

원터치피팅

컴팩트 원터치피팅

투터치피팅

SC, SCS

SC-F

ASCM

KAS2000 /4000

KAS500 /600

SCPV

KHVC

KHVF

KHVV

KHVM

KHBVU

SH

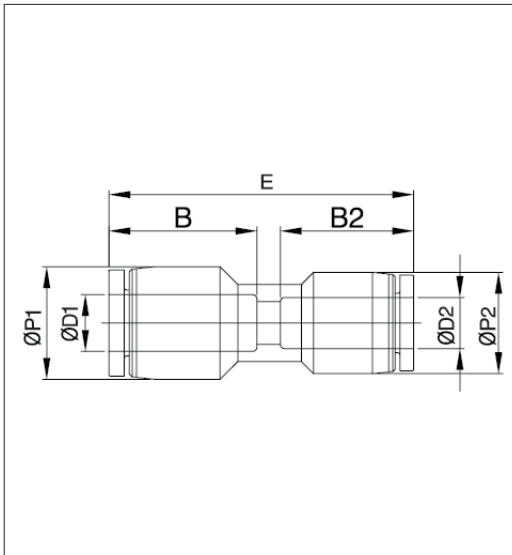
EUR series



다른 Ø 튜브연결 일자형

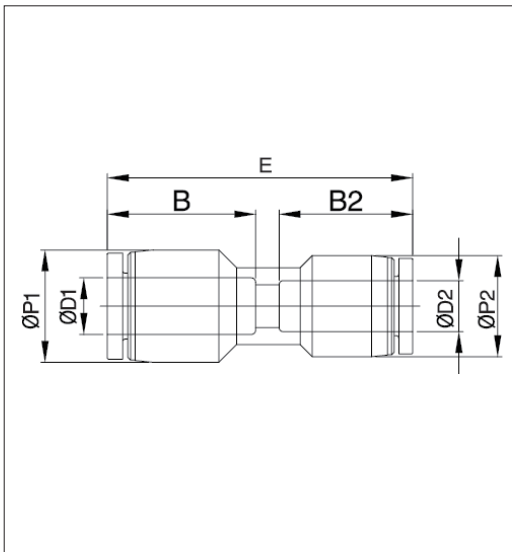
내경 사이즈가 다른 튜브끼리의 연결을 위해서 사용

외형치수도 (METRIC)



모델	ØD1	ØD2	ØP1	ØP2	E	B1	B2	ORIFICE	WEIGHT (g)	BOX (EA)
EUR0604	6	4	12.5	10.5	36.6	17.6	16.3	3.0	5.5	100
EUR0804	8	4	14.8	10.5	38.7	18.7	16.3	3.2	5.5	100
EUR0806	8	6	14.8	12.5	37.6	18.7	17.6	4.0	7.4	100
EUR1006	10	6	17.5	12.5	39.9	19.6	17.6	5.0	7.9	50
EUR1008	10	8	17.5	14.8	41.0	19.6	18.7	6.5	8.9	50
EUR1208	12	8	20.5	14.8	45.9	21.9	18.7	6.5	11.8	50
EUR1210	12	10	20.5	17.5	44.0	21.9	19.6	8.0	13.3	50
EUR1612	16	12	25.5	20.5	49.7	24.0	21.9	10.0	24.1	25

외형치수도 (INCH)



모델	ØD1 (INCH)	ØD2 (INCH)	ØP1	ØP2	E	B1	B2	ORIFICE	WEIGHT (g)	BOX (EA)
EUR3/16 5/32	3/16	5/32	11.5	10.5	35.0	16.8	16.3	3.2	5.5	100
EUR1/4 5/32	1/4	5/32	13.0	10.5	35.6	17.4	16.3	3.2	5.5	100
EUR1/4 3/16	1/4	3/16	13.0	11.5	36.2	17.4	16.8	3.8	5.4	100
EUR5/16 5/32	5/16	5/32	14.5	10.5	38.7	18.7	16.3	3.2	5.5	50
EUR5/16 1/4	5/16	1/4	14.5	13.0	38.1	18.7	17.4	5.0	7.4	50
EUR3/8 1/4	3/8	1/4	17.5	13.0	39.7	20.2	17.4	5.0	7.9	50
EUR3/8 5/16	3/8	5/16	17.5	14.5	41.0	20.2	18.7	7.0	10.9	50
EUR1/2 3/8	1/2	3/8	21.0	17.5	45.3	22.0	20.2	8.0	16.2	25

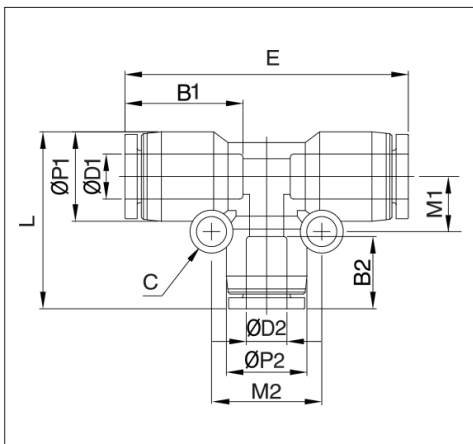
EGT series



다른 Ø 튜브연결 T자형

한 방향에서 튜브가 접속하며 직각 방향의 T형 양방향 내경 사이즈가 다른 튜브 배관에 사용

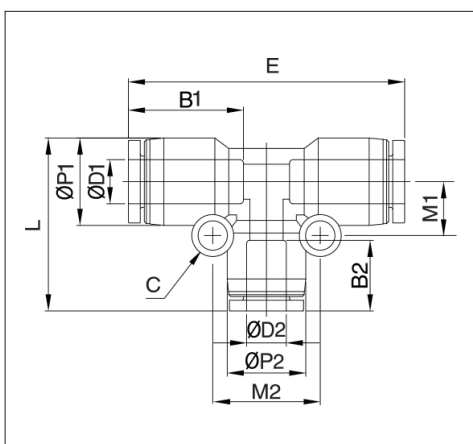
외형치수도 (METRIC)



단위 : mm

모델	ØD1	ØD2	ØP1	ØP2	L	E	C	B1	B2	M1	M2	Orifice	Weight (g)	Box (EA)
EGT0604	6	4	12.5	10.5	25.4	41.6	3.3	17.6	16.3	7.9	13.8	3.0	8.2	50
EGT0804	8	6	14.8	12.5	29.4	46.1	4.3	18.7	17.6	9.7	17.0	5.0	11.1	50
EGT1006	10	6	17.5	12.5	31.9	49.2	4.3	19.6	17.6	10.9	16.8	5.0	14.1	50
EGT1008	10	8	17.5	14.8	33.5	49.2	4.3	19.6	18.7	10.9	18.8	6.5	15.1	50
EGT1208	12	8	20.5	14.8	35.8	56.0	4.3	21.9	18.7	12.4	18.8	7.0	20.9	25
EGT1210	12	10	20.5	17.5	37.6	56.0	4.3	21.9	19.6	12.4	21.9	8.0	25.4	25
EGT1610	16	10	25.5	17.5	43.1	60.8	4.3	24.0	19.6	15.9	22.8	8.0	40.2	15
EGT1612	16	12	25.5	20.5	45.5	63.7	4.3	24.0	21.9	15.9	25.8	10.0	44.1	15

외형치수도 (INCH)



단위 : mm

모델	ØD1	ØD2	ØP1	ØP2	L	E	C	B1	B2	M1	M2	Orifice	Weight (g)	Box (EA)
EGT1/4 5/3	1/4	5/32	13.0	10.5	26.6	40.6	4.3	17.6	16.3	8.3	14.5	3.2	8.2	50
EGT5/16 1/4	5/16	1/4	14.5	13.0	28.4	43.2	4.5	18.7	17.6	9.7	17.5	5.0	11.1	50
EGT3/8 1/4	3/8	1/4	17.5	13.0	32.2	48.6	4.5	20.2	17.6	11.0	17.5	5.0	17.1	50
EGT3/8 5/16	3/8	5/16	17.5	14.5	33.5	50.6	4.5	20.2	18.7	10.9	18.8	6.5	18.1	50
EGT1/2 3/8	1/2	3/8	21.0	17.5	36.8	58.5	4.5	22.0	20.2	12.8	22.0	8.0	25.2	25

액세서리

원터치피팅

컴팩트 원터치피팅

투터치피팅

SC, SCS

SC-F

ASCM

KAS2000 /4000

KAS500 /600

SCPV

KHVC

KHVF

KHVV

KHVM

KHBVU

SH

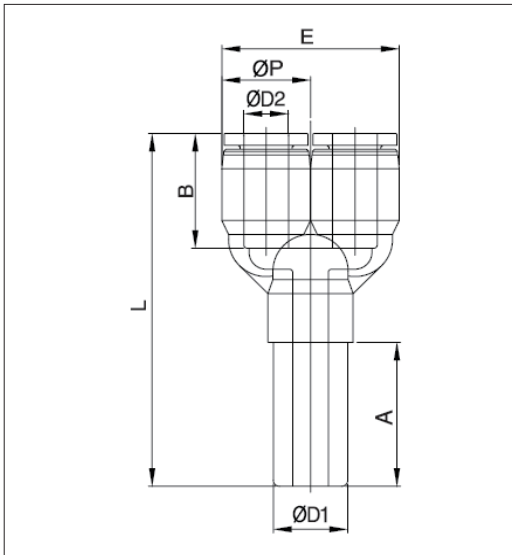
EWJ series



튜브 축소접속 Y자형

로드를 원터치 피팅에 삽입하여 같은 방향의 크기가 축소된 Y형 2방향 튜브 배관에 사용

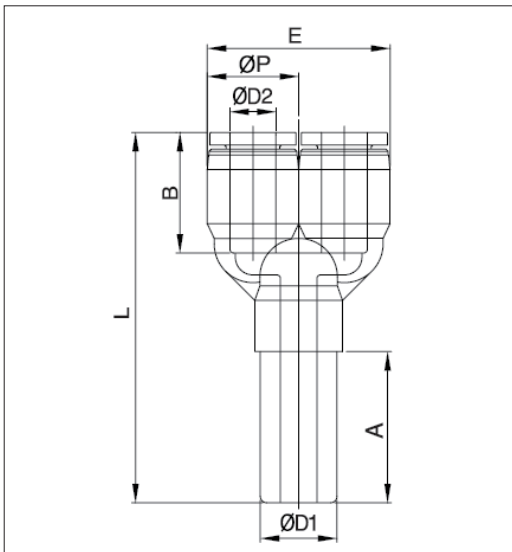
외형치수도 (METRIC)



단위 : mm

모델	ØA	ØD	ØP	L	E	A	B	ORIFICE	WEIGHT (g)	BOX (EA)
EWJ0604	6	4	10.5	51.5	21.0	24.0	17.6	4.0	6.6	100
EWJ0806	8	6	12.5	56.7	25.0	26.0	18.7	5.6	9.4	50
EWJ1008	10	8	14.5	61.8	29.0	28.0	19.6	7.0	12.4	50
EWJ1210	12	10	17.5	68.1	35.0	30.0	21.9	9.0	19.4	25

외형치수도 (INCH)



단위 : mm

모델	ØA (INCH)	ØD (INCH)	ØP	L	E	A	B	ORIFICE	WEIGHT (g)	BOX (EA)
EWJ1/4 5/32	1/4	5/32	10.5	55.2	21.0	25.0	16.3	3.0	14.6	100
EWJ5/16 1/4	5/16	1/4	13.0	61.9	29.0	26.3	17.4	5.0	22.4	50
EWJ3/8 1/4	3/8	1/4	13.0	64.2	35.0	28.0	17.4	5.0	39.4	50
EWJ3/8 5/16	3/8	5/16	14.5	62.8	35.0	28.0	18.7	6.0	39.4	50

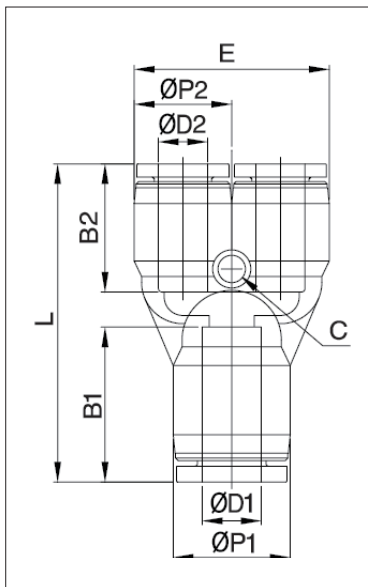
ERY series



다른 Ø 튜브연결 Y자형

한 방향에서 튜브가 접속하며 같은 방향의 크기가 축소된 Y형 2방향 튜브 배관에 사용

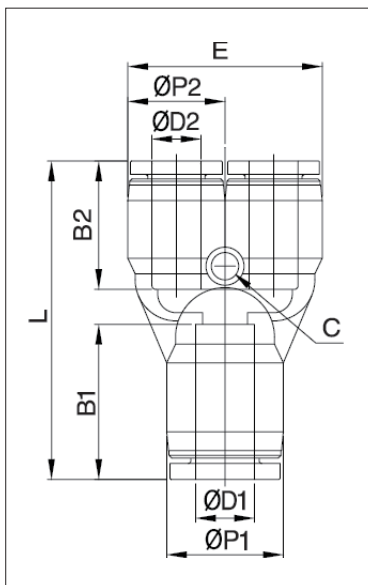
외형치수도 (METRIC)



단위 : mm

모델	ØD1	ØD2	ØP1	ØP2	L	E	C	B1	B2	ORIFICE	WEIGHT (g)	BOX (EA)
ERY0604	6	4	12.5	10.5	37.9	21.0	3.3	17.6	16.3	3.4	7.3	100
ERY0804	8	4	14.8	10.5	39.7	21.0	3.3	18.7	16.3	3.7	9.3	50
ERY0806	8	6	14.8	12.5	41.3	25.0	3.3	18.7	17.6	5.4	10.1	50
ERY1006	10	6	17.5	12.5	43.0	25.0	3.3	19.6	17.6	5.6	12.6	50
ERY1008	10	8	17.5	14.8	43.3	29.6	4.3	19.6	18.7	7.0	14.6	50
ERY1208	12	8	20.5	14.8	47.8	29.6	3.3	21.9	18.7	7.3	16.5	25
ERY1210	12	10	20.5	17.5	46.5	35.0	4.3	21.9	19.6	8.0	21.5	25

외형치수도 (INCH)



단위 : mm

모델	ØD1 (INCH)	ØD2 (INCH)	ØP1	ØP2	L	E	C	B1	B2	ORIFICE	WEIGHT (g)	BOX (EA)
ERY3/16 5/32	3/16	5/32	11.5	10.5	37.0	21.0	3.3	16.8	16.3	3.3	8.3	50
ERY1/4 5/32	1/4	5/32	13.0	10.5	38.1	21.0	3.3	17.4	16.3	3.3	8.3	100
ERY1/4 3/16	1/4	3/16	13.0	11.5	38.7	23.0	3.3	17.4	16.8	4.0	8.1	50
ERY5/16 5/32	5/16	5/32	14.5	10.5	39.7	21.0	3.3	18.7	16.3	3.7	9.3	100
ERY5/16 1/4	5/16	1/4	14.5	13.0	42.1	26.0	3.3	18.7	17.4	5.0	12.1	50
ERY3/8 1/4	3/8	1/4	17.5	13.0	43.2	26.0	3.3	19.6	17.4	5.0	14.6	50
ERY3/8 5/16	3/8	5/16	17.5	14.5	43.3	29.0	4.3	19.6	18.7	7.0	16.6	50
ERY1/2 5/16	1/2	5/16	21.0	14.5	48.0	29.0	3.3	22.0	18.7	6.4	18.4	25
ERY1/2 3/8	1/2	3/8	21.0	17.5	50.8	35.0	4.5	22.0	20.2	7.0	26.2	25

액세서리

원터치피팅

컴팩트 원터치피팅

투터치피팅

SC, SCS

SC-F

ASCM

KAS2000 /4000

KAS500 /600

SCPV

KHVC

KHVF

KHVV

KHVM

KHBVU

SH

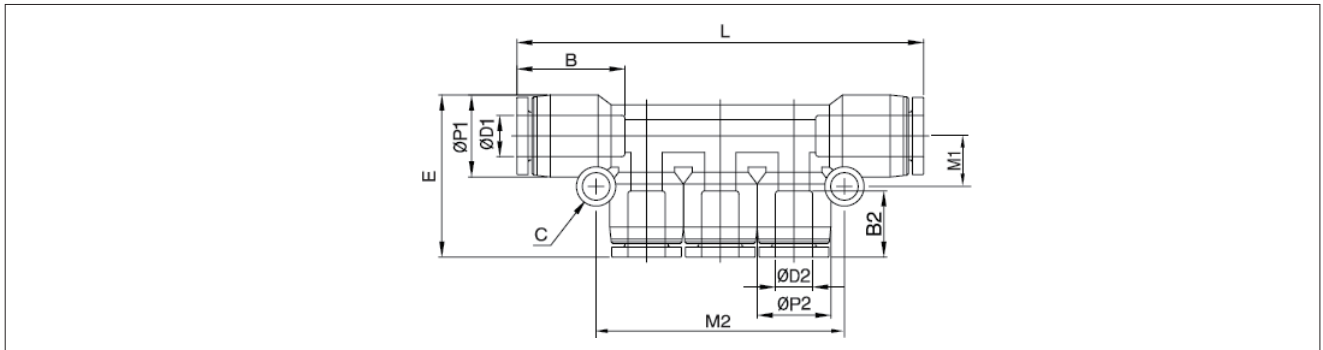
EKG series



다른 Ø 튜브연결 3방향 T자형

양 방향에서 튜브가 접속하며 같은 방향의 크기가 축소된 T형 3방향 튜브 배관에 사용

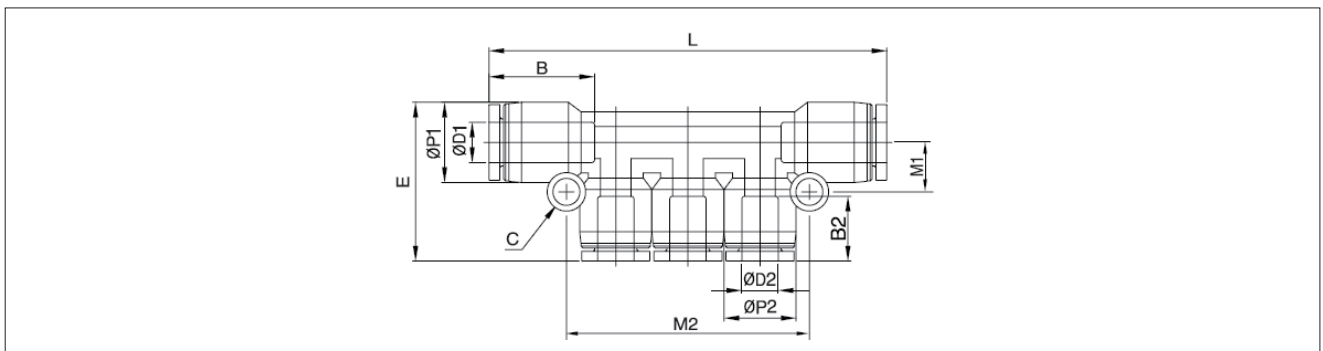
외형치수도 (METRIC)



단위 : mm

모델	ØD1	ØD2	ØP1	ØP2	L	E	C	B1	B2	M1	M2	ORIFICE	WEIGHT (g)	BOX (EA)
EKG0604	6	4	12.5	10.5	63.7	24.2	3.3	17.6	16.3	7.6	34.0	3.0	12.8	25
EKG0804	8	4	14.8	10.5	65.7	28.5	4.3	18.7	16.3	9.2	34.8	3.0	14.8	25
EKG0806	8	6	14.8	12.5	71.7	30.0	4.3	18.7	17.6	9.3	41.1	4.0	17.5	25
EKG1006	10	6	17.5	12.5	78.1	32.0	4.3	19.6	17.6	9.5	41.7	4.0	22.5	20
EKG1008	10	8	17.5	14.8	83.4	34.5	4.3	19.6	18.7	8.5	47.0	6.5	26.5	20

외형치수도 (INCH)



단위 : mm

모델	ØD1	ØD2	ØP1	ØP2	L	E	C	B1	B2	M1	M2	ORIFICE	WEIGHT (g)	BOX (EA)
EKG3/16 5/32	3/16	5/32	11.5	10.5	60.5	26.3	4.5	16.8	16.3	7.6	34.0	3.2	24.1	25
EKG1/4 5/32	1/4	5/32	13.0	10.5	61.6	26.6	4.5	17.4	16.3	8.8	36.0	3.2	24.1	25
EKG5/16 5/32	5/16	5/32	14.5	10.5	65.6	28.2	4.3	18.7	16.3	9.2	34.8	3.2	49.1	25
EKG5/16 3/16	5/16	3/16	14.5	11.5	68.7	28.9	4.5	18.7	16.8	9.3	41.1	4.0	48.8	25
EKG5/16 1/4	5/16	1/4	14.5	13.0	71.9	30.0	4.5	18.7	17.4	9.7	43.5	5.0	48.8	25
EKG3/8 1/4	3/8	1/4	17.5	13.0	74.2	32.2	4.5	20.2	17.4	11.0	43.5	5.0	53.3	20
EKG3/8 5/16	3/8	5/16	17.5	14.5	83.6	34.5	4.3	20.2	18.7	8.5	47.0	6.6	53.3	20

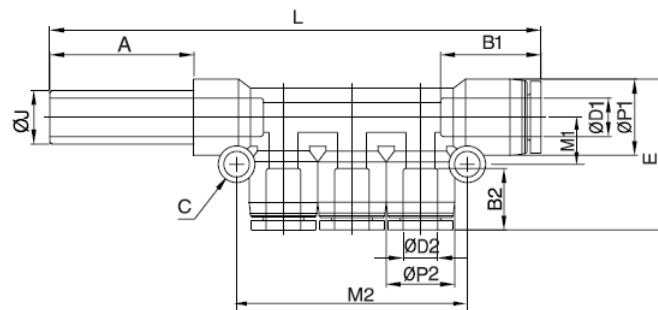
EKJ series



튜브접속 3방향 L자형

로드를 원터치 피팅에 삽입하여 같은 방향의 튜브가 접속하며 크기가 축소된 T형 3방향 튜브 배관에 사용

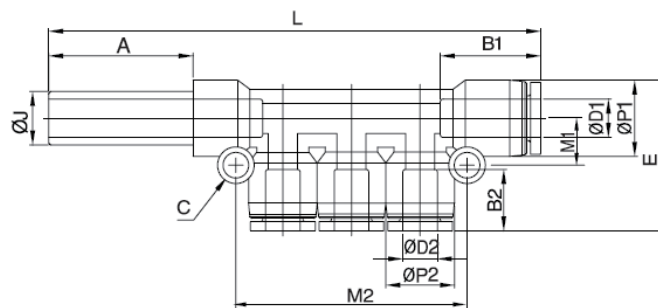
외형치수도 (METRIC)



단위 : mm

모델	ØD1	ØD2	ØJ	ØP1	ØP2	L	E	C	A	B1	B2	M1	M2	ORIFICE	WEIGHT (g)	BOX (EA)
EKJ0604	6	4	6	12.5	10.5	84.3	24.2	3.3	25.0	17.6	16.3	7.6	34.0	3.0	14.1	25
EKJ0804	8	4	8	14.8	10.5	89.5	28.5	4.3	28.5	18.7	16.3	9.2	34.8	3.0	16.1	25
EKJ0806	8	6	8	14.8	12.5	95.5	34.0	4.3	28.5	18.7	17.6	9.3	41.1	4.0	17.8	25
EKJ1006	10	6	10	17.5	12.5	103.2	31.3	4.3	31.0	19.6	17.6	9.5	41.7	4.0	23.5	20
EKJ1008	10	8	10	17.5	14.8	109.7	34.5	4.3	31.0	19.6	18.7	8.5	47.0	6.5	28.3	15

외형치수도 (INCH)



단위 : mm

모델	ØD1 (INCH)	ØD2 (INCH)	ØJ	ØP1	ØP2	L	E	C	A	B1	B2	M1	M2	ORIFICE	WEIGHT (g)	BOX (EA)
EKJ3/16 5/32	3/16	5/32	3/16	11.5	10.5	82.4	25.8	4.5	24.0	16.8	16.3	7.6	34.0	2.6	24.1	25
EKJ1/4 5/32	1/4	5/32	1/4	13.0	10.5	84.3	26.6	4.5	25.0	17.4	16.3	8.8	36.0	3.2	24.1	25
EKJ5/16 5/32	5/16	5/32	5/16	14.5	10.5	89.5	28.5	4.3	26.0	18.7	16.3	9.2	34.8	3.2	37.1	25
EKJ5/16 3/16	5/16	3/16	5/16	14.5	11.5	91.9	29.0	4.5	26.0	18.7	16.8	9.3	41.1	4.0	36.8	25
EKJ5/16 1/4	5/16	1/4	5/16	14.5	13.0	91.0	30.0	4.5	26.0	18.7	17.4	9.7	43.5	5.0	36.8	25
EKJ3/8 1/4	3/8	1/4	3/8	17.5	13.0	99.7	32.2	4.5	28.0	20.2	17.4	11.0	43.5	5.0	48.3	20
EKJ3/8 5/16	3/8	5/16	3/8	17.5	14.5	109.7	34.5	4.3	28.0	20.2	18.7	8.5	47.0	6.6	48.3	20

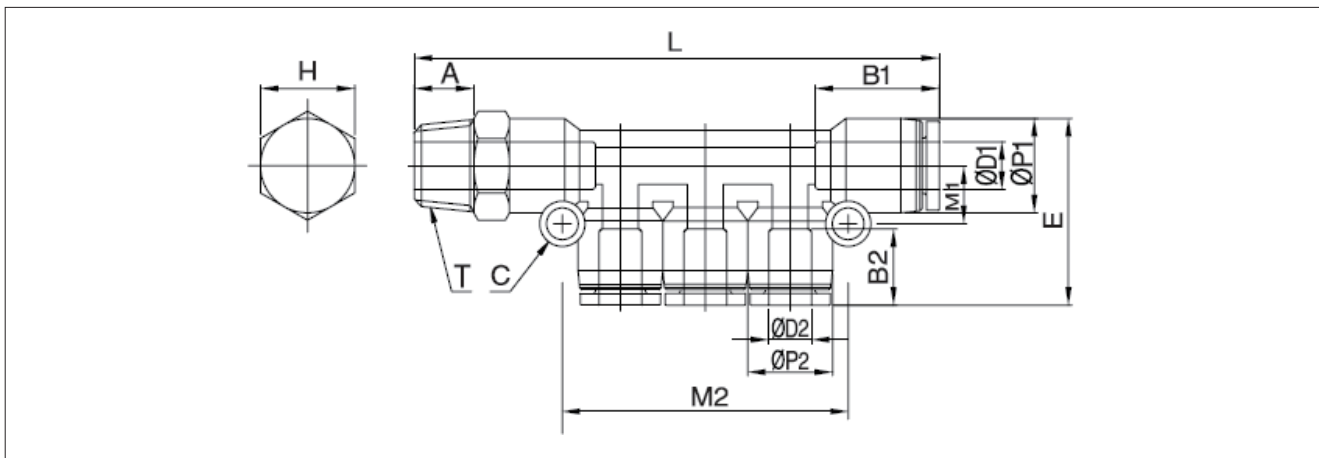
EKD series



수나사 3방향 L자형

암나사측에 같은 방향의 튜브가 접속하며 크기가 축소된 T형 3방향 튜브 배관에 사용

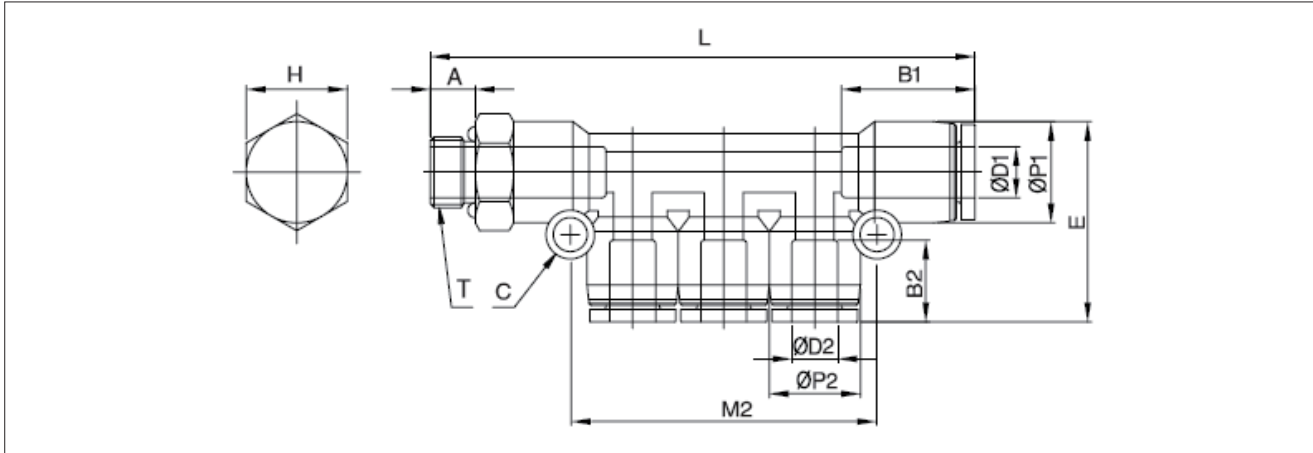
외형치수도 (R(PT)나사)



단위 : mm

모델	ØD1	ØD2	ØP1	ØP2	T	L	E	C	A	B1	B2	M1	M2	H (Hex)	ORIFICE	WEIGHT (g)	BOX (EA)
EKD060401	6	4	12.5	10.5	R(PT) 1/8	72.1	24.2	3.3	8.0	17.6	16.3	7.6	34.0	12	3.0	21.1	25
EKD080401	8	4	14.8	10.5	R(PT) 1/8	73.9	28.5	4.3	8.0	18.7	16.3	9.2	34.8	14	3.0	23.1	25
EKD080402	8	4	14.8	10.5	R(PT) 1/4	76.9	28.5	4.3	10.0	18.7	16.3	9.2	34.8	14	3.0	28.1	25
EKD080601	8	6	14.8	12.5	R(PT) 1/8	79.5	34.0	4.3	8.0	18.7	17.6	9.3	41.1	14	4.0	26.8	25
EKD080602	8	6	14.8	12.5	R(PT) 1/4	82.5	34.0	4.3	10.0	18.7	17.6	9.3	41.1	14	4.0	30.8	25
EKD100602	10	6	17.5	12.5	R(PT) 1/4	89.2	34.5	4.3	10.0	19.6	17.6	9.5	41.7	17	4.0	40.3	25
EKD100603	10	6	17.5	12.5	R(PT) 3/8	90.2	34.5	4.3	11.0	19.6	17.6	9.5	41.7	17	4.0	44.3	20
EKD100802	10	8	17.5	14.8	R(PT) 1/4	94.3	34.5	4.3	10.0	19.6	18.7	8.5	47.0	17	6.5	44.3	25
EKD100803	10	8	17.5	14.8	R(PT) 3/8	95.3	34.5	4.3	11.0	19.6	18.7	8.5	47.0	17	6.5	48.3	20

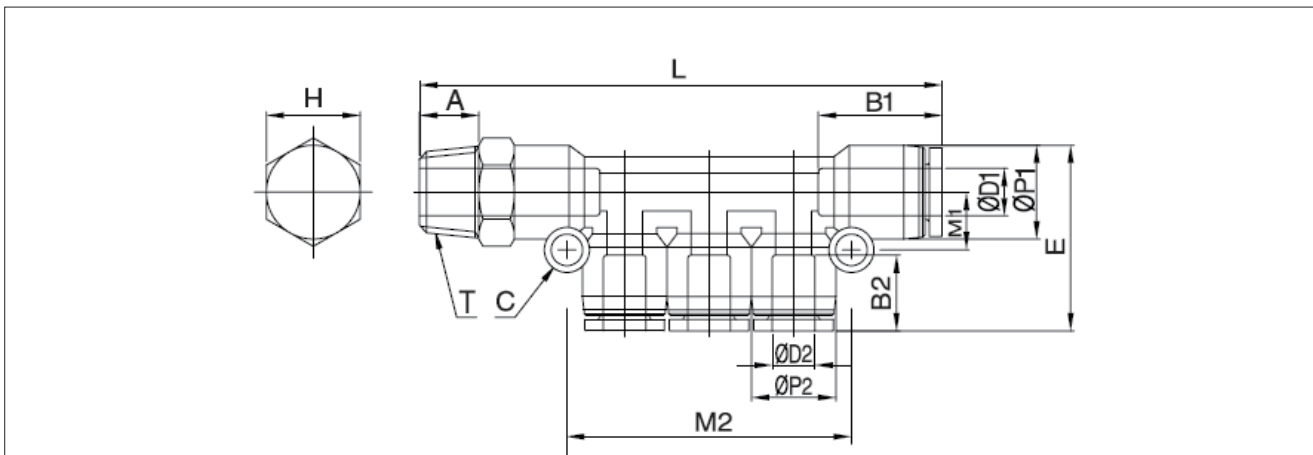
외형치수도 (G나사)



단위 : mm

모델	ØD1	ØD2	ØP1	ØP2	T	L	E	C	A	B1	B2	M1	M2	H (Hex)	ORIFICE	WEIGHT (g)	BOX (EA)
EKDG060401	6	4	12.5	10.5	G 1/8	70.1	24.2	3.3	5.0	17.6	16.3	7.6	34.0	14	3.0	22.1	25
EKDG080401	8	4	14.8	10.5	G 1/8	71.9	28.5	4.3	5.0	18.7	16.3	9.2	34.8	14	3.0	24.1	25
EKDG080402	8	4	14.8	10.5	G 1/4	74.9	28.5	4.3	6.5	18.7	16.3	9.2	34.8	17	3.0	29.1	25
EKDG080601	8	6	14.8	12.5	G 1/8	77.5	34.0	4.3	5.0	18.7	17.6	9.3	41.1	14	4.0	27.8	25
EKDG080602	8	6	14.8	12.5	G 1/4	80.5	34.0	4.3	6.5	18.7	17.6	9.3	41.1	17	4.0	31.8	25
EKDG100602	10	6	17.5	12.5	G 1/4	87.2	34.5	4.3	6.5	19.6	17.6	9.5	41.7	17	4.0	35.3	25
EKDG100603	10	6	17.5	12.5	G 3/8	87.2	34.5	4.3	6.5	19.6	17.6	9.5	41.7	20	4.0	41.3	25
EKDG100802	10	8	17.5	14.8	G 1/4	92.3	34.5	4.3	6.5	19.6	18.7	8.5	47.0	17	6.5	38.3	25
EKDG100803	10	8	17.5	14.8	G 3/8	92.3	34.5	4.3	6.5	19.6	18.7	8.5	47.0	20	6.5	53.3	20

외형치수도 (NPT나사)



단위 : mm

모델	ØD1 (INCH)	ØD2 (INCH)	ØP1	ØP2	T	L	E	C	A	B1	B2	M1	M2	H (Hex)	ORIFICE	WEIGHT (g)	BOX (EA)
EKD3/16 5/32N1	3/16	5/32	11.5	10.5	NPT 1/8	69.8	26.3	3.3	8.5	16.8	16.3	7.6	34.0	7/16	3.2	26.1	25
EKD1/4 5/32N1	1/4	5/32	13.0	10.5	NPT 1/8	71.1	26.6	3.3	8.5	17.4	16.3	8.8	36.0	1/2	3.2	26.1	25
EKD5/16 5/32N2	5/16	5/32	14.5	10.5	NPT 1/4	77.7	28.2	4.3	10.5	18.7	16.3	9.2	34.8	9/16	3.2	31.1	25
EKD5/16 3/16N2	5/16	3/16	14.5	11.5	NPT 1/4	80.9	29.0	4.3	10.5	18.7	16.8	9.3	41.1	9/16	4.0	34.8	25
EKD5/16 1/4N2	5/16	1/4	14.5	13.0	NPT 1/4	84.0	30.0	4.3	10.5	18.7	17.4	9.7	43.5	9/16	5.0	31.8	25
EKD3/8 1/4N3	3/8	1/4	17.5	13.0	NPT 3/8	86.9	32.2	4.3	11.5	20.2	17.4	11.0	43.5	11/16	5.0	58.3	20
EKD3/8 5/16N3	3/8	5/16	17.5	14.5	NPT 3/8	96.3	34.5	4.3	11.5	20.2	18.7	8.5	47.0	11/16	6.6	62.3	20

액세서리
원터치피팅
컴팩트 원터치피팅
투터치피팅
SC, SCS
SC-F
ASCM
KAS2000 /4000
KAS500 /600
SCPV
KHVC
KHVF
KHVV
KHVM
KHBVV
SH

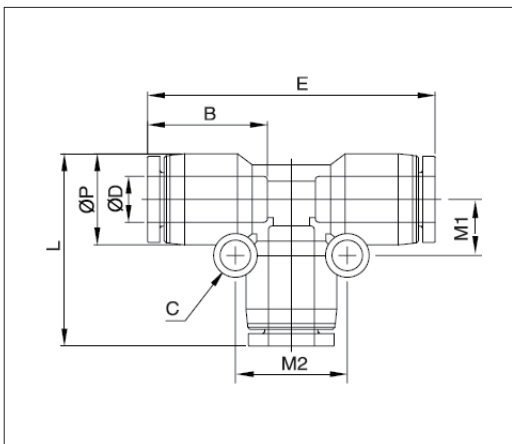
EUT series



튜브연결 T자형

한 방향에서 튜브가 접속하며 직각 방향의 T형 양방향 튜브 배관에 사용

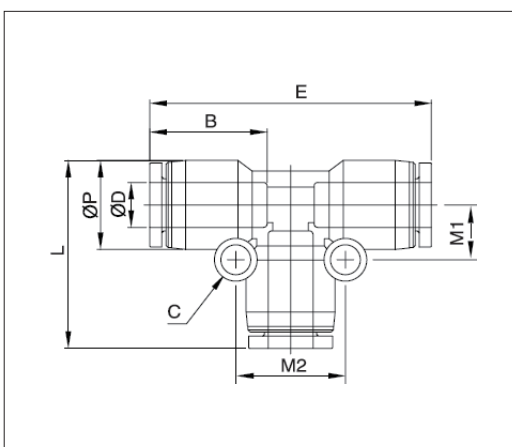
외형치수도 (METRIC)



단위 : mm

모델	ØD	ØP	L	E	C	B	M1	M2	ORIFICE	WEIGHT (g)	BOX (EA)
EUT04	4	10.5	24.2	36.6	3.3	16.3	6.4	12.8	2.6	9.4	100
EUT06	6	12.5	27.5	41.8	3.3	17.6	7.7	15.4	5.0	10.1	50
EUT08	8	14.8	30.7	44.9	4.3	18.7	8.9	17.8	6.5	12.1	50
EUT10	10	17.5	34.1	48.2	4.3	19.6	10.9	21.8	8.0	15.6	25
EUT12	12	20.5	39.9	56.8	4.3	21.9	12.4	24.8	10.0	26.3	25
EUT16	16	25.5	47.2	68.2	4.3	24.0	15.9	31.8	13.0	52.0	15

외형치수도 (INCH)



단위 : mm

모델	ØD (INCH)	ØP	L	E	C	B	M1	M2	ORIFICE	WEIGHT (g)	BOX (EA)
EUT5/32	5/32	10.5	36.6	24.2	3.3	16.3	6.4	12.8	3.0	6.4	100
EUT3/16	3/16	11.5	39.5	25.5	3.5	16.8	7.5	15.0	3.5	6.1	100
EUT1/4	1/4	13.0	42.6	27.8	3.5	17.4	8.3	16.5	4.8	10.1	50
EUT5/16	5/16	14.5	44.9	30.7	4.3	18.7	8.9	17.8	6.5	13.1	50
EUT3/8	3/8	17.5	51.6	34.6	4.5	20.2	11.0	22.0	8.0	19.6	25
EUT1/2	1/2	21.0	60.5	40.8	4.5	22.0	12.8	25.5	9.0	31.0	25

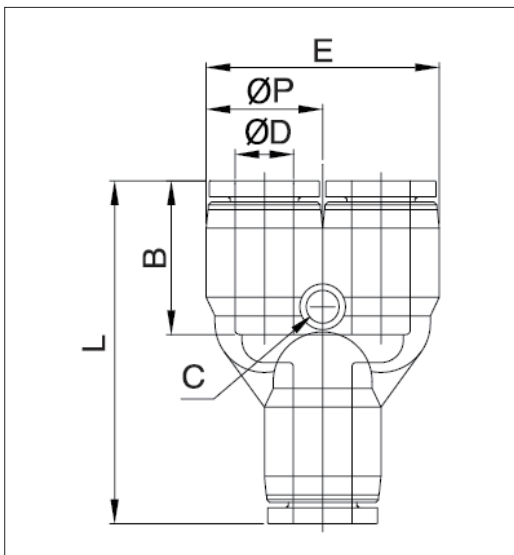
EUY series



튜브연결 Y자형

한 방향에서 튜브가 접속하며 같은 방향의 Y형
2방향 튜브 배관에 사용

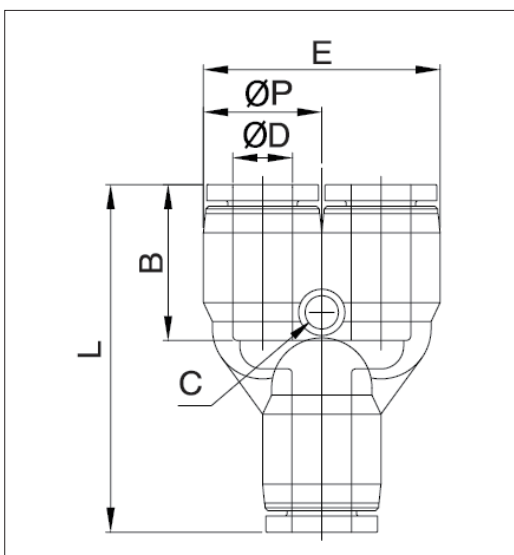
외형치수도 (METRIC)



단위 : mm

모델	ØD	ØP	L	E	C	B	ORIFICE	WEIGHT (g)	BOX (EA)
EUY04	4	10.5	37.1	21.0	3.3	16.3	3.0	6.4	100
EUY06	6	12.5	40.2	25.0	3.3	17.6	5.2	9.1	100
EUY08	8	14.8	43.4	29.0	4.3	18.7	6.8	12.1	50
EUY10	10	17.5	47.7	35.0	4.3	19.6	8.0	17.6	25
EUY12	12	20.5	53.3	41.0	4.3	21.9	10.3	28.3	25

외형치수도 (INCH)



단위 : mm

모델	ØD (INCH)	ØP	L	E	C	B	ORIFICE	WEIGHT (g)	BOX (EA)
EUY5/32	5/32	10.5	37.1	21.0	3.3	16.3	2.5	7.4	100
EUY3/16	3/16	11.5	37.1	23.0	3.3	16.8	3.0	7.1	100
EUY1/4	1/4	13.0	39.8	26.0	3.3	17.4	4.0	9.1	50
EUY5/16	5/16	14.5	43.4	29.0	4.3	18.7	6.8	13.1	50
EUY3/8	3/8	17.5	47.7	35.0	4.3	19.6	8.0	19.6	25
EUY1/2	1/2	21.0	54.5	42.0	4.3	22.0	10.3	29.0	25

액세서리

원터치피팅

컴팩트 원터치피팅

투터치피팅

SC, SCS

SC-F

ASCM

KAS2000 /4000

KAS500 /600

SCPV

KHVC

KHVF

KHVU

KHVM

KHBVU

SH

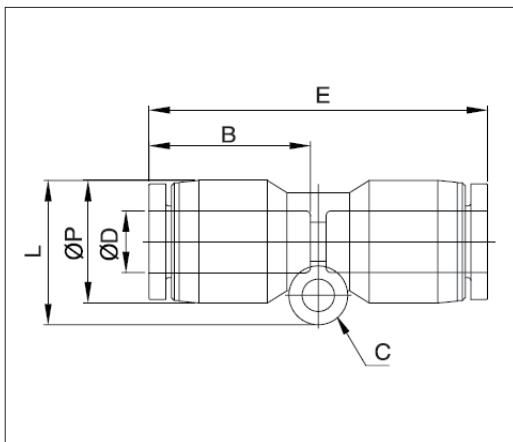
EUC series



튜브연결 일자형

한 방향에서 튜브가 접속하여 같은 방향의 튜브 배관에 사용

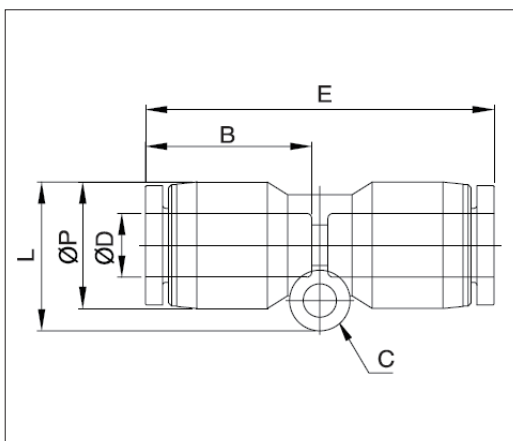
외형치수도 (METRIC)



단위 : mm

모델	ØD	ØP	L	E	C	B	ORIFICE	WEIGHT (g)	BOX (EA)
EUC04	4	10.5	12.8	34.6	3.3	16.3	3.0	3.6	100
EUC06	6	12.5	14.8	36.8	3.3	17.6	4.0	7.4	100
EUC08	8	14.8	19.9	39.4	4.3	18.7	6.5	8.4	50
EUC10	10	17.5	20.0	43.2	4.3	19.6	8.0	11.4	50
EUC12	12	20.5	23.3	47.8	4.3	21.9	10.0	16.2	25
EUC16	16	25.5	25.5	51.1	-	24.0	13.0	31.0	25

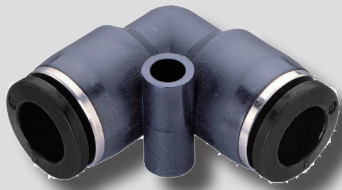
외형치수도 (INCH)



단위 : mm

모델	ØD (INCH)	ØP	L	E	C	B	ORIFICE	WEIGHT (g)	BOX (EA)
EUC5/32	5/32	10.5	12.8	34.6	3.3	16.3	3.0	3.6	100
EUC3/16	3/16	11.5	15.1	35.5	3.5	16.8	3.5	3.4	100
EUC1/4	1/4	13.0	16.3	36.8	3.5	17.4	4.8	6.4	100
EUC5/16	5/16	14.5	19.9	39.4	4.3	18.7	6.5	8.4	50
EUC3/8	3/8	17.5	21.5	42.6	4.5	20.2	8.0	13.4	50
EUC1/2	1/2	21.0	24.5	48.9	4.5	22.0	9.0	19.0	25

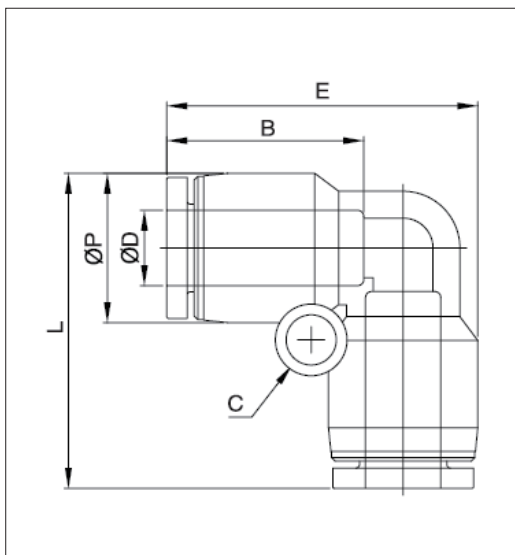
EUL series



튜브연결 L자형

한 방향에서 튜브가 접속하며 직각 방향의 튜브 배관에 사용

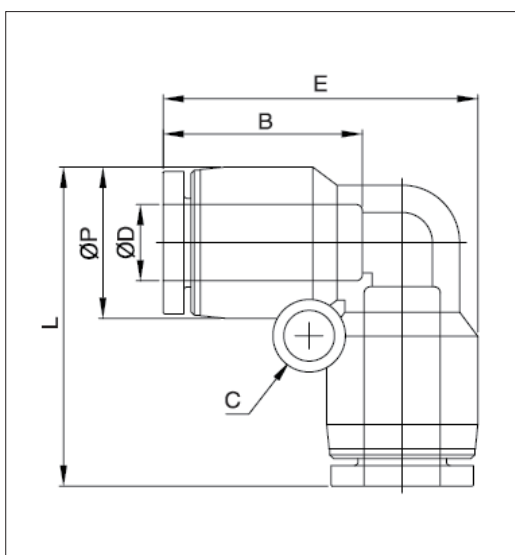
외형치수도 (METRIC)



단위 : mm

모델	ØD	ØP	L	E	C	B	ORIFICE	WEIGHT (g)	BOX (EA)
EUL04	4	10.5	24.2	24.2	3.3	16.3	3.0	4.6	100
EUL06	6	12.5	27.5	27.5	3.3	17.6	5.0	5.4	100
EUL08	8	14.8	30.7	30.7	4.3	18.7	7.0	8.4	50
EUL10	10	17.5	34.1	34.1	4.3	19.6	8.0	11.4	50
EUL12	12	20.5	39.9	39.9	4.3	21.9	10.0	19.2	25
EUL16	16	25.5	46.7	46.7	4.3	24.0	13.0	38.0	20

외형치수도 (INCH)



단위 : mm

모델	ØD (INCH)	ØP	L	E	C	B	ORIFICE	WEIGHT (g)	BOX (EA)
EUL5/32	5/32	10.5	24.2	24.2	3.3	16.3	3.0	4.6	100
EUL3/16	3/16	11.5	25.5	25.5	3.5	16.8	3.5	4.4	100
EUL1/4	1/4	13.0	27.8	27.8	3.5	17.4	4.8	7.4	100
EUL5/16	5/16	14.5	30.7	30.7	4.3	18.7	7.0	9.4	50
EUL3/8	3/8	17.5	34.6	34.6	4.5	20.2	8.0	14.4	25
EUL1/2	1/2	21.0	40.8	40.8	4.5	22.0	9.0	22.0	20

액세서리

원터치피팅

컴팩트 원터치피팅

투터치피팅

SC, SCS

SC-F

ASCM

KAS2000 /4000

KAS500 /600

SCPV

KHVC

KHVF

KHVV

KHVM

KHBVU

SH

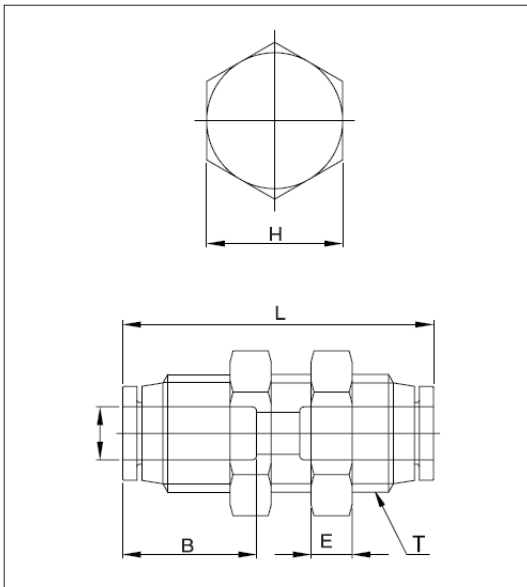
EPC series



패널용 튜브연결

패널에 취부하여 한 방향에서 튜브가 접속하며 같은 방향의 튜브 배관에 사용

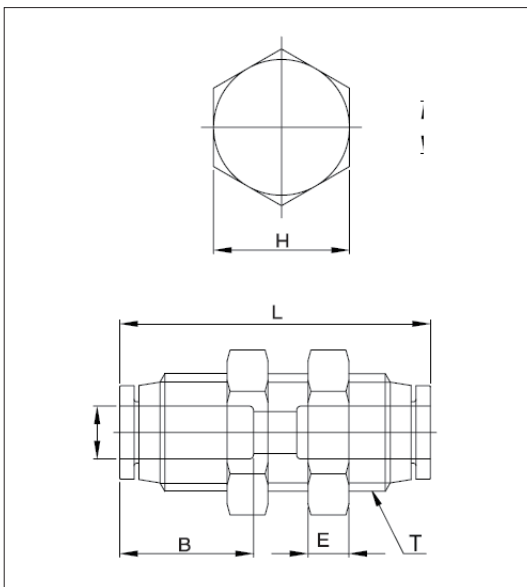
외형치수도 (R(PT)나사)



단위 : mm

모델	ØD	T	L	E	B	H (Hex)	ORIFICE	WEIGHT (g)	BOX (EA)
EPC04	4	M12X1.0	35.5	4	16.3	14	3.0	19.6	100
EPC06	6	M14X1.0	39.9	4	17.6	17	5.0	28.6	100
EPC08	8	M16X1.0	42.2	5	18.7	19	7.0	36.4	50
EPC10	10	M20X1.0	45.0	5	19.6	24	9.0	65.0	25
EPC12	12	M22X1.0	50.3	5	21.9	26	11.0	79.6	25

외형치수도 (NPT나사)



단위 : mm

모델	ØD (INCH)	T	L	E	B	H (Hex)	ORIFICE	WEIGHT (g)	BOX (EA)
EPC5/32	5/32	M12X1.0	35.5	4	16.8	14	3.0	19.6	100
EPC3/16	3/16	M14X1.0	36.5	4	16.8	17	4.0	19.6	100
EPC1/4	1/4	M14X1.0	38.8	4	17.4	17	5.0	29.6	100
EPC5/16	5/16	M16X1.0	42.2	5	18.7	19	7.0	36.4	50
EPC3/8	3/8	M20X1.0	43.2	5	20.2	24	8.0	59.8	25
EPC1/2	1/2	M22X1.0	49.5	5	22.0	26	11.0	83.2	25

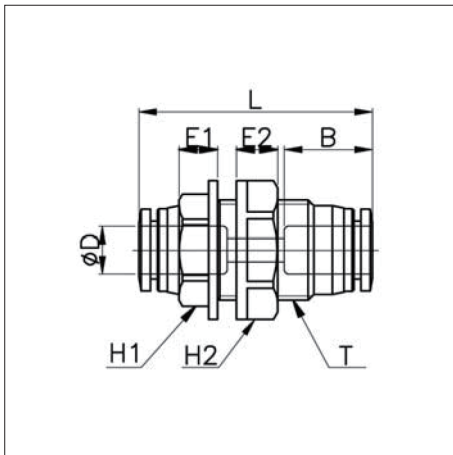
EMP series



경량화된 패널용 튜브연결

패널에 취부하여 한 방향에서 튜브가 접속하며 같은 방향의 튜브 배관에 사용

외형치수도 (R(PT)나사)



단위 : mm

모델	ØD	T	L	E1	E2	B	H1 (Hex)	H2 (Hex)	Orifice	Weight (g)	Box (EA)
EMP04	4	M12X1.25	32.4	6.0	6.0	15.0	13	16	3.0	5.4	100
EMP06	6	M15X1.5	36.1	6.0	6.5	16.5	15	18	5.0	7.8	100
EMP08	8	M17X1.5	39.7	6.5	7.0	18.8	17	21	6.8	10.8	50
EMP10	10	M20X1.75	44.0	7.3	8.0	20.1	21	25	8.0	16.8	25
EMP12	12	M24X1.75	47.6	7.3	8.5	22.9	24	28	10.0	24.5	25

액세서리

원터치피팅

컴팩트 원터치피팅

투터치피팅

SC, SCS

SC-F

ASCM

KAS2000 /4000

KAS500 /600

SCPV

KHVC

KHVF

KHVU

KHVM

KHBVU

SH

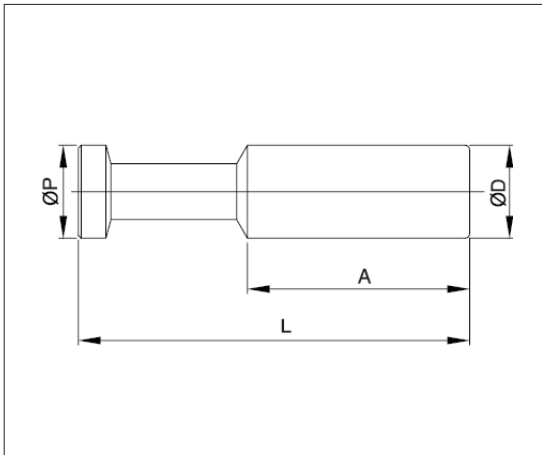
EBC series



피팅 마개

사용이 일시 중지되거나 임시로 차단할 필요가 있는 원터치 피팅을 막는데 사용

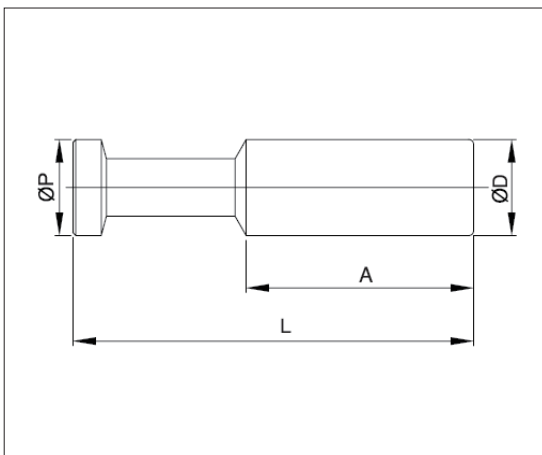
외형치수도 (METRIC)



단위 : mm

모델	ØD	ØP	L	A	WEIGHT (g)	BOX (EA)
EBC04	4	4	30.0	17.7	1.0	100
EBC06	6	6	34.0	19.4	1.0	100
EBC08	8	8	38.0	21.2	1.0	100
EBC10	10	10	42.0	23.8	2.0	100
EBC12	12	12	46.0	29.5	3.0	100
EBC16	16	16	50.0	30.0	12.0	50

외형치수도 (INCH)



단위 : mm

모델	ØD (INCH)	ØP (INCH)	L	A	WEIGHT (g)	BOX (EA)
EBC5/32	5/32	5/32	30.0	18.0	1.0	100
EBC3/16	3/16	3/16	33.0	19.0	1.0	100
EBC1/4	1/4	1/4	34.0	20.0	1.0	100
EBC5/16	5/16	5/16	38.0	22.0	1.0	100
EBC3/8	3/8	3/8	42.0	25.0	2.0	100
EBC1/2	1/2	1/2	46.0	28.0	3.0	50

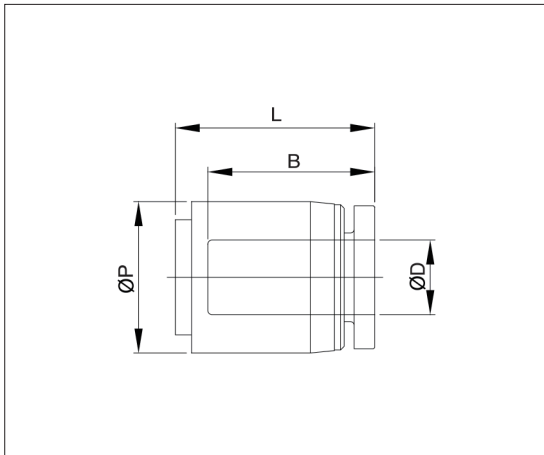
EPF series



튜브 마감

사용이 일시 중지되거나 임시로 차단할 필요가 있는 튜브를 막는데 사용

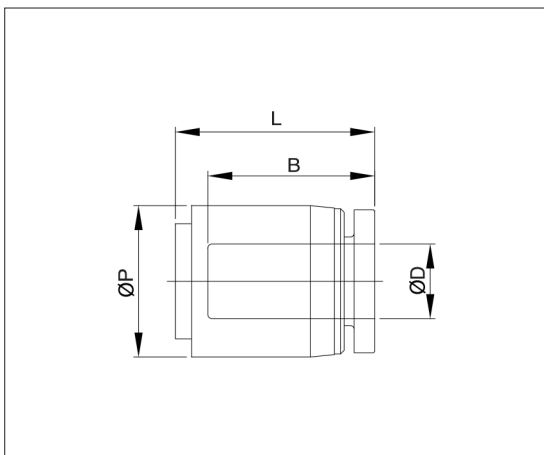
외형치수도 (METRIC)



단위 : mm

모델	ØD	ØP	L	B	Weight (g)	Box (EA)
EPF04	4	10.5	18.0	16.8	2.8	100
EPF06	6	12.5	19.0	17.6	3.8	100
EPF08	8	14.5	21.0	18.7	3.7	100
EPF10	10	17.5	23.0	19.6	5.5	100
EPF12	12	20.5	25.0	21.9	9.3	50
EPF16	16	25.5	27.5	24.0	17.0	50

외형치수도 (INCH)



단위 : mm

모델	ØD (INCH)	ØP	L	B	Weight (g)	Box (EA)
EPF5/32	5/32	10.5	18.9	16.3	2.0	100
EPF3/16	3/16	11.5	18.8	16.8	2.0	100
EPF1/4	1/4	13.0	19.9	17.4	3.0	100
EPF5/16	5/16	14.5	21.5	18.7	4.0	100
EPF3/8	3/8	17.5	22.8	20.2	7.0	100
EPF1/2	1/2	21.0	26.0	22.0	10.0	50

액세서리

원터치피팅

컴팩트 원터치피팅

투터치피팅

SC, SCS

SC-F

ASCM

KAS2000 /4000

KAS500 /600

SCPV

KHVC

KHVF

KHVV

KHVM

KHBVU

SH

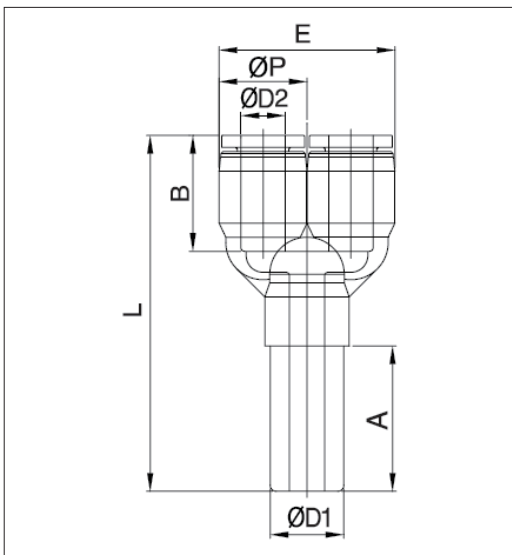
EYA series



튜브접속 Y자형

로드를 원터치 피팅에 삽입하여 같은 방향의 Y형 2방향 튜브 배관에 사용

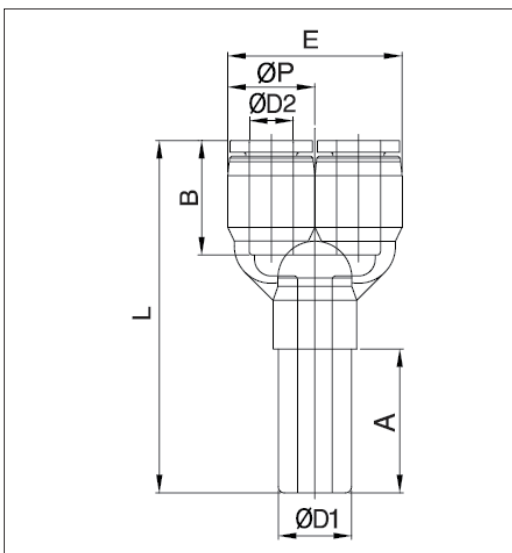
외형치수도 (METRIC)



단위 : mm

모델	ØD1	ØD2	ØP	L	E	A	B	ORIFICE	WEIGHT (g)	BOX (EA)
EYA04	4	4	10.5	49.5	21.0	22.0	16.8	2.6	6.6	100
EYA06	6	6	12.5	54.7	25.0	24.0	17.6	4.0	8.4	50
EYA08	8	8	14.5	59.8	29.0	26.0	18.7	5.6	12.4	50
EYA10	10	10	17.5	66.1	35.0	28.0	19.6	7.0	18.4	25
EYA12	12	12	20.5	71.6	41.0	30.0	21.9	9.0	24.2	25

외형치수도 (INCH)



단위 : mm

모델	ØD1 (INCH)	ØD2 (INCH)	ØP	L	E	A	B	ORIFICE	WEIGHT (g)	BOX (EA)
EYA5/32	5/32	5/32	10.5	54.2	21.0	24.0	16.3	2.6	9.6	100
EYA3/16	3/16	3/16	11.5	57.9	23.0	24.0	16.8	2.6	9.4	100
EYA1/4	1/4	1/4	13.0	60.9	29.0	25.0	17.4	4.0	14.4	50
EYA5/16	5/16	5/16	14.5	60.5	29.0	26.0	18.7	5.6	22.4	50
EYA3/8	3/8	3/8	17.5	68.5	35.0	28.0	20.2	7.0	38.4	25
EYA1/2	1/2	1/2	21.0	80.6	41.0	30.0	22.0	7.0	48.0	20

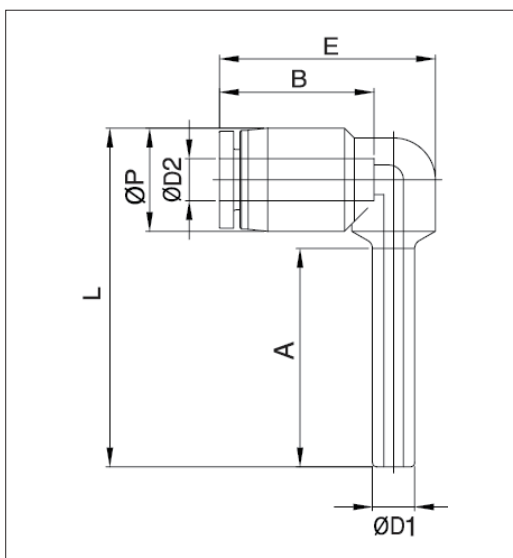
EAL series



튜브접속 L자형

로드를 원터치 피팅에 삽입하여 직각 방향의 튜브 배관에 사용.

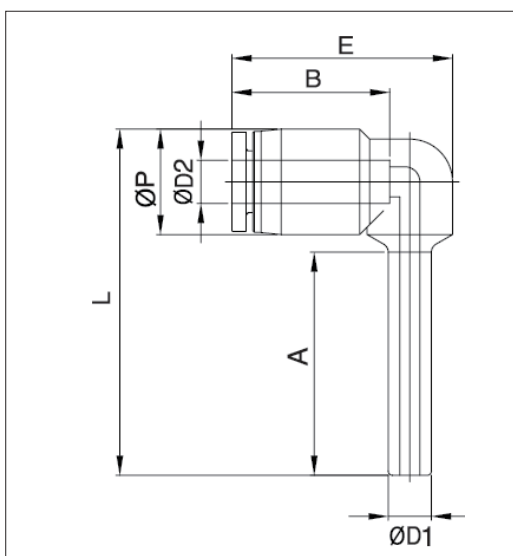
외형치수도 (METRIC)



단위 : mm

모델	ØD1	ØD2	ØP	L	E	A	B	ORIFICE	WEIGHT (g)	BOX (EA)
EAL04	4	4	10.5	28.4	18.8	22.0	16.3	2.0	2.8	100
EAL06	6	6	12.5	31.4	20.3	24.0	17.6	4.0	4.7	50
EAL08	8	8	14.8	34.3	23.0	26.0	18.7	6.0	5.7	50
EAL10	10	10	17.5	37.9	24.2	28.0	19.6	7.0	8.2	50
EAL12	12	12	20.5	41.4	28.0	30.0	21.9	9.0	13.1	25
EAL16	16	16	25.5	48.5	32.0	35.0	24.0	12.0	34.0	20

외형치수도 (INCH)



단위 : mm

모델	ØD1 (INCH)	ØD2 (INCH)	ØP	L	E	A	B	ORIFICE	WEIGHT (g)	BOX (EA)
EAL5/32	5/32	5/32	10.5	33.7	18.7	22.0	16.7	2.0	4.8	100
EAL3/16	3/16	3/16	11.5	43.3	19.2	24.0	16.9	2.6	4.7	50
EAL1/4	1/4	1/4	13.0	47.5	20.5	25.0	17.4	4.2	6.7	50
EAL5/16	5/16	5/16	14.5	41.5	23.1	26.0	19.1	6.0	7.7	50
EAL3/8	3/8	3/8	17.5	54.6	23.8	28.0	19.8	7.0	14.2	50
EAL1/2	1/2	1/2	21.0	62.0	28.3	30.0	23.0	9.0	19.0	25

액세서리

원터치피팅

컴팩트 원터치피팅

투터치피팅

SC, SCS

SC-F

ASCM

KAS2000 /4000

KAS500 /600

SCPV

KHVC

KHVF

KHVV

KHVM

KHBVU

SH

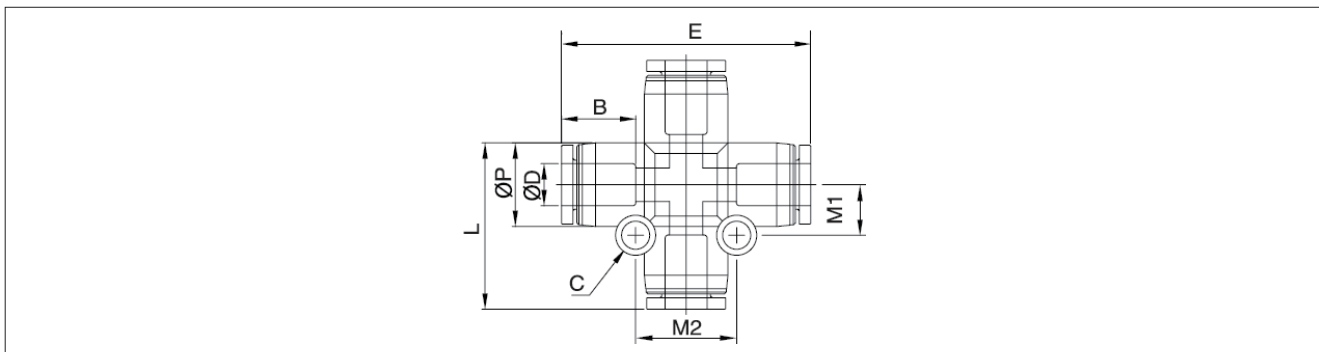
EZA series



튜브연결 +자형

사방(4방향)에서의 튜브 배관에 사용 (십자형)

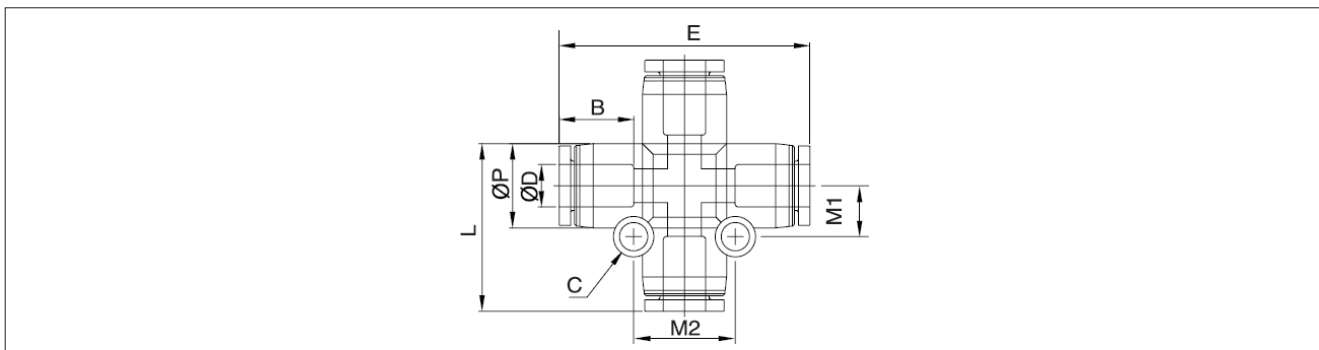
외형치수도 (METRIC)



단위 : mm

모델	ØD	ØP	L	E	C	B	M1	M2	ORIFICE	WEIGHT (g)	BOX (EA)
EZA04	4	10.5	37.9	36.6	3.3	16.8	6.4	12.8	2.6	8.2	50
EZA06	6	12.5	42.5	41.8	4.3	17.6	7.5	14.9	4.5	10.8	50
EZA08	8	14.8	46.8	44.9	4.3	18.7	9.1	18.2	6.0	15.8	25
EZA10	10	17.5	50.5	48.2	4.3	19.6	10.2	20.3	7.4	20.8	25
EZA12	12	20.5	57.2	54.8	4.3	21.9	11.9	23.7	9.0	33.4	20

외형치수도 (INCH)



단위 : mm

모델	ØD (INCH)	ØP	L	E	C	B	M1	M2	ORIFICE	WEIGHT (g)	BOX (EA)
EZA5/32	5/32	10.5	37.9	36.6	3.3	16.3	6.4	12.8	2.6	8.2	50
EZA3/16	3/16	11.5	39.2	39.2	3.3	16.8	7.5	15.0	3.5	7.8	50
EZA1/4	1/4	13.0	42.6	42.6	3.3	17.4	8.3	16.5	5.0	10.8	50
EZA5/16	5/16	14.5	46.8	44.9	4.3	18.7	9.1	18.2	6.0	15.8	25
EZA3/8	3/8	17.5	50.5	48.2	4.3	20.2	10.2	20.3	7.0	26.8	25
EZA1/2	1/2	21.0	60.5	60.5	4.3	22.0	12.8	25.5	9.0	37.0	20